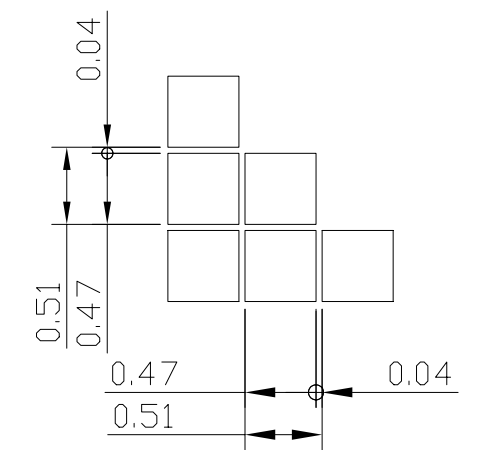
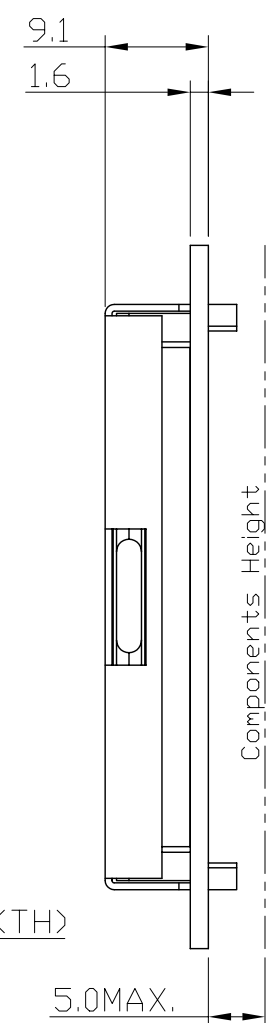
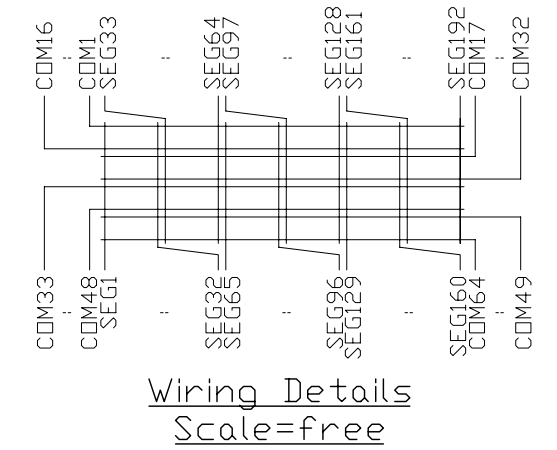
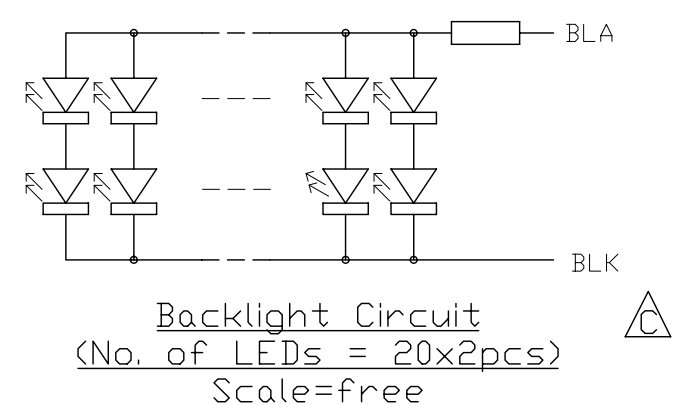


Terminal		
No.	Pin Name	(*8)
1	VSS	⎓
2	VDD	
3	V0	
4	VOUT	
5	RS	⎓
6	R/W	
7	E	
8	DB0	
9	DB1	⎓
10	DB2	
11	DB3	
12	DB4	
13	DB5	⎓
14	DB6	
15	DB7	
16	/CS1	
17	/CS2	⎓
18	/CS3	
19	/RST	
20	BLA	
21	BLK	



Pixels Details
Scale=20/1



- Note:
- *1. LCD Display Type : STN-YG, Positive, Transflective
 - *2. Viewing Direction : 6H
 - *3. Duty 1/128
 - *4. Operating Voltage : 5.0V
 - *5. Backlight Color : Yellow-Green
 - *6. Operating Temperature : -20°C ~ 70°C $\triangle B$
 - *7. Storage Temperature : -30°C ~ 80°C $\triangle B$
 - *8. An external VR(25k~50k) must be connected for Contrast Control

Rev	Note	Date
C	-Revise Dwg Title and Note -Add Backlight Circuit	Kenny Yuen 2005-07-27
B	-Revise Top & Tst	14-May-04
A	-Delete Preliminary	03-Sep-03

Dwg Title LM19264BBC Outline Drawing		Date 08-Aug-03
Dwg No. MK-000208c-1-1	Date 08-Aug-03	
Scale 3/2	Tol. ±0.5	Unit mm
Approved	Checked	Drawn Kenny Yuen

