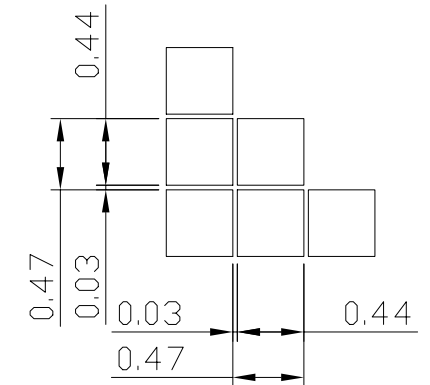
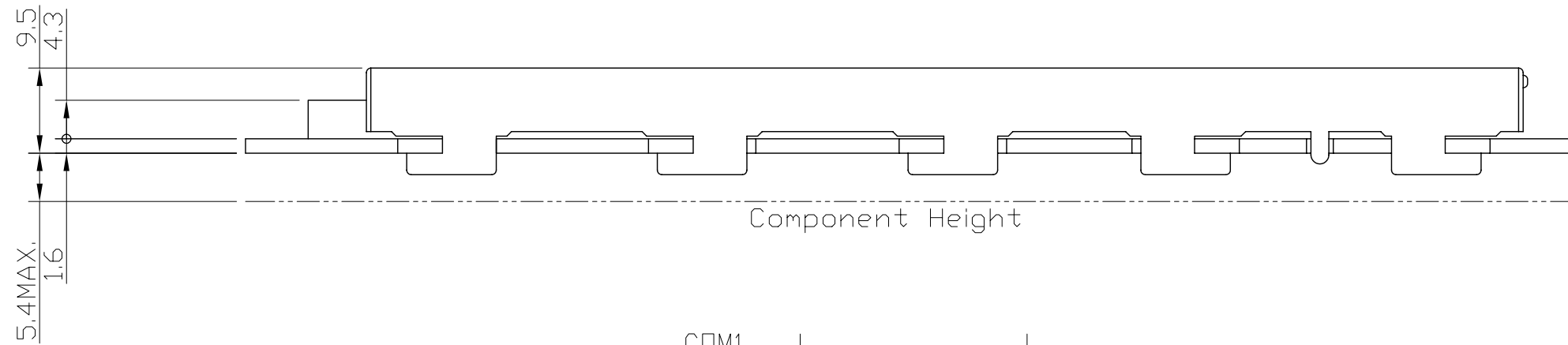


No.	Pin Name
1	D
2	FLM
3	N.C.
4	LP
5	SCP
6	GND
7	VDD
8	VSS
9	VEE
10	V \square
11	BLA
12	BLK



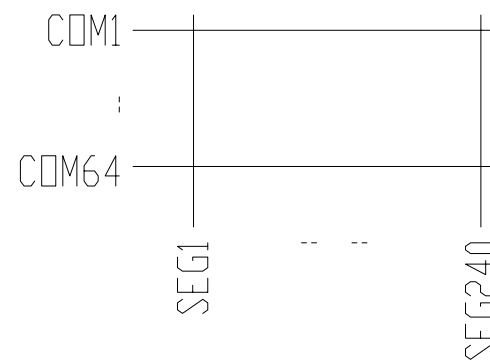
Pixels Details
Scale=20/1



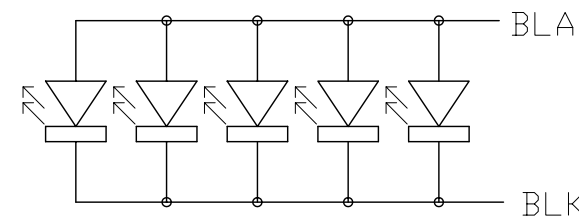
Component Height

NOTE:

- *1. LCD Display Type : STN, Negative, Transflective
- *2. Viewing Direction : 6H
- *3. LCD Driving: Duty=1/64, BIAS=1/9
- *4. Backlight: Color=White, If=100mA, Vf=3.3V(TYP.)
- *5. Operating Temperature : 0°~50°
- *6. Storage Temperature : -10°~60°



Wiring Details
Scale=free



Backlight Circuit
(No. of LEDs = 5pcs)
Scale=free

C			
B			
A			
Rev	Note	Date	
Dwg	Title	LM24064BFC	
Dwg No.	MK-000325-1-1	Date 2003-11-22	
Scale	3/2	Tol. ±0.5	Unit mm
Approved	Checked	Paper Size A3	
		Drawn Kenny Yuen	

TOPWAY