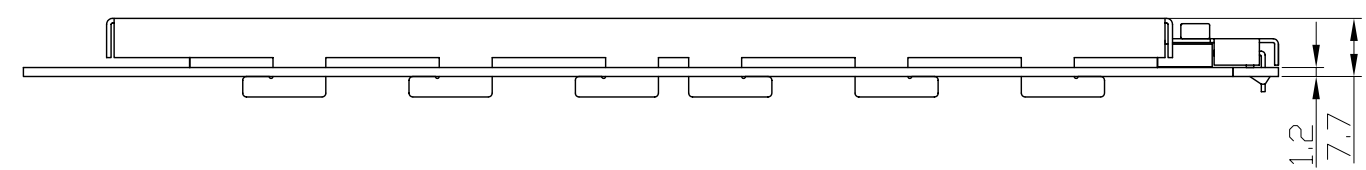
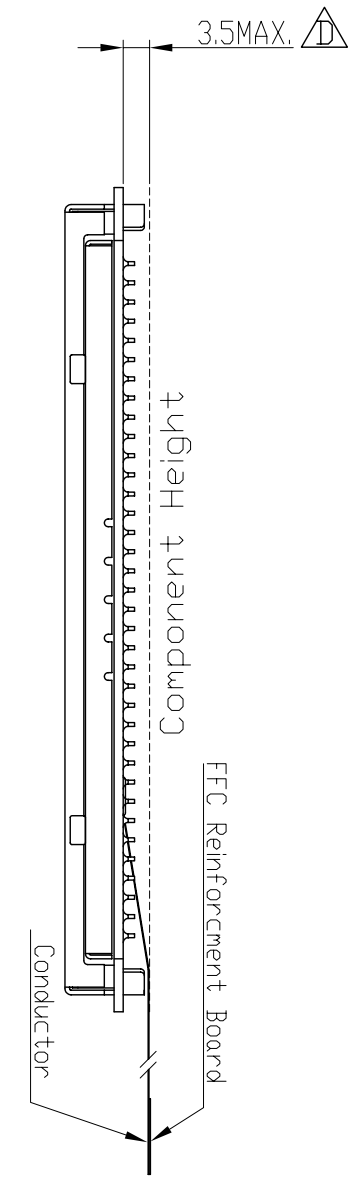
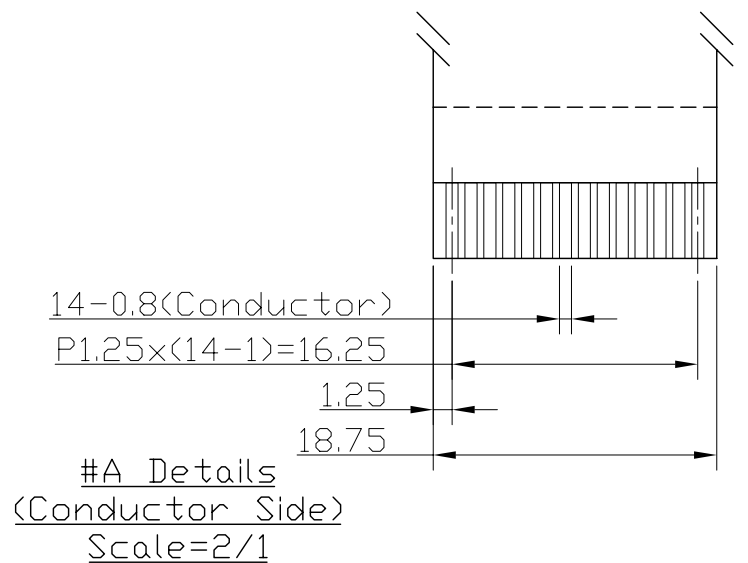
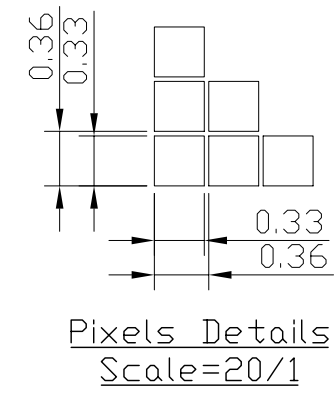
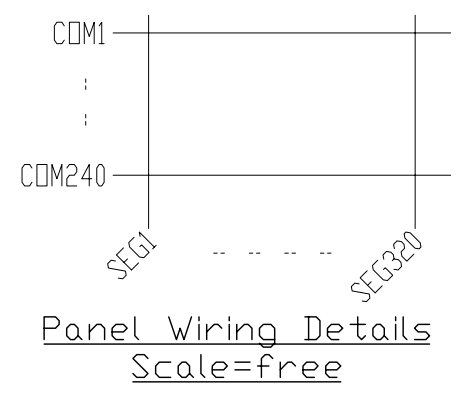
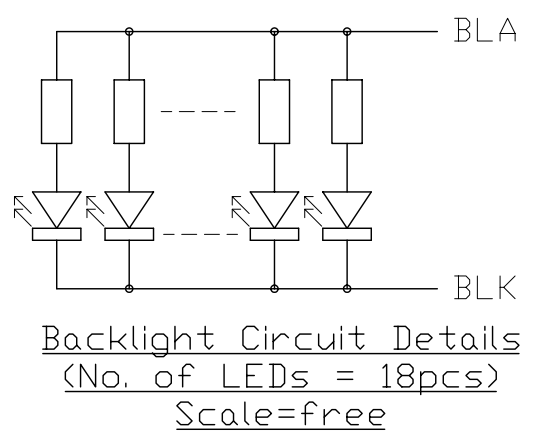


Terminal	
No.	Name
1	FLM
2	LP
3	CP
4	M
5	V0
6	VDD
7	VSS
8	VEE
9	D0
10	D1
11	D2
12	D3
13	/DISPOFF
14	NC
15	BLA(*6)
16	BLK(*6)



- Note:
- *1. LCD Display Type : STN, Negative, Transmissive
 - *2. Viewing Direction : 6H
 - *3. Duty : 1/240duty
 - *4. Backlight Color : White $\triangle A$
 - *5. Operating Voltage : 3.0~5.0V $\triangle A$
 - *6. Operating Temperature : 0°C~50°C $\triangle B$
 - *7. Storage Temperature : -20°C~70°C $\triangle B$
 - *8. BLA and BLK are NOT on FFC terminal



F	-Typing Correction	Linyan 2006-10-31
E	-ADD Note	Lishuai 2006-04-08
D	-Revise Component Height	Lishuai 2004-09-14
C	-Revise FFC Orientation	Lishuai 2004-05-06
B	-Refine Outline -Typing Correction	Lishuai 2004-04-27
A	-Revise Dimension	Lishuai 2004-04-07
Rev/Note		Date
Dwg Title	LM2028 Outline Dwg	
Dwg No.	MK-000345f-1-1	Date 2004-02-12
Scale	1/1	Tol. ± 0.5 Unit mm Paper Size A3
Approved	Checked	Drawn Kenny Yuen

TOPWAY