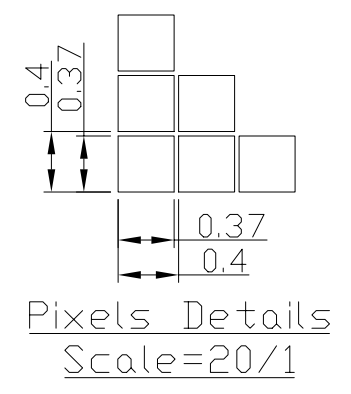
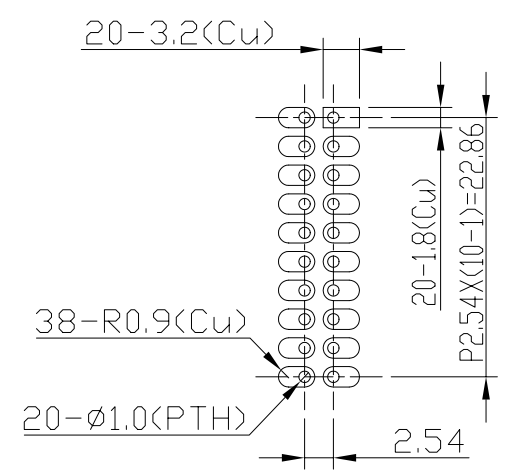
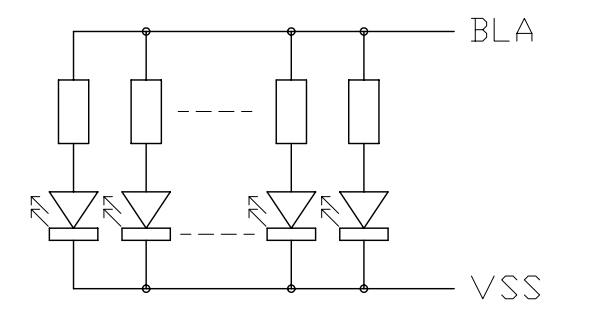
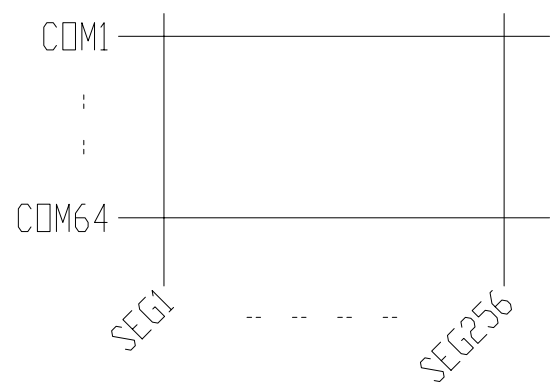


Terminal	
No.	Pin Name
1	VSS
2	VDD
3	V0
4	VDOUT
5	RS
6	R/W
7	E
8	DB0
9	DB1
10	DB2
11	DB3
12	DB4
13	DB5
14	DB6
15	DB7
16	CSA
17	CSB
18	CSC
19	/RST
20	BLA

(\*1)



- Note:
- \*1. A VR(25k to 50k) must be connected externally for Contrast Control. Otherwise, external LCD supply should be given to V0.
  - \*2. LCD Display Type : STN-Gray, Positive, Transmissive
  - \*3. Viewing Direction : 6H
  - \*4. Operating Temperature : -20°C ~ 70°C
  - \*5. Storage Temperature : -30°C ~ 80°C

C		
B	-Reduce Component Height -Typing Correction	Li Shuai 2004-12-08
A	-Revise Outline	Kenny Yuen 2004-02-21
Rev/Note		Date
Dwg Title	LM6800 Outline Dwg	
Dwg No.	MK-000407b-1-1	Date 2004-02-18
Scale	Tol. $\pm 0.5$	Unit mm Paper Size A3
3/2		
Approved	Checked	Drawn Kenny Yuen

**TOPWAY**