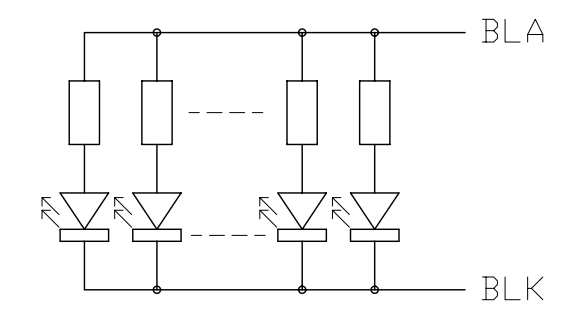
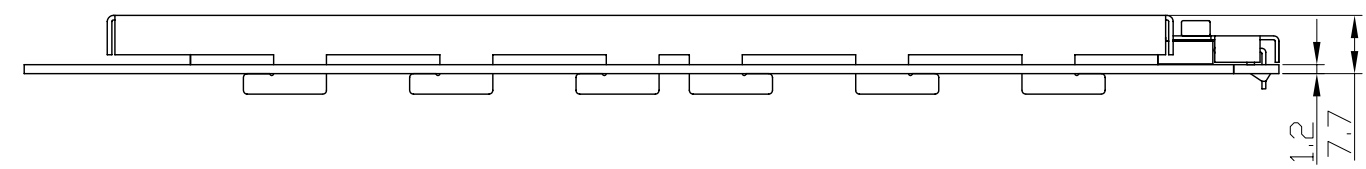


Pixels Details
Scale=20/1

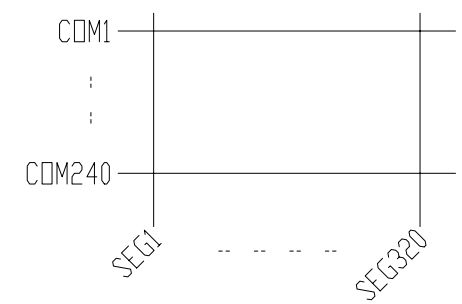
Terminal	
No.	Name
1	FLM
2	LP
3	CP
△ 4	M
5	V0
6	VDD
7	VSS
△ 8	VEE
9	D0
10	D1
11	D2
12	D3
13	/DISPOFF
14	NC
15	BLA
16	BLK



Backlight Circuit Details
(No. of LEDs = 18pcs)
Scale=free



- Note:
- *1. LCD Display Type : STN, Negative, Transmissive
 - *2. Viewing Direction : 6H
 - *3. Operating Voltage : 3.0~5.0V
 - *4. Backlight Color : White
 - *5. Duty : 1/240duty
 - *6. Operating Temperature : 0°C~50°C
 - *7. Storage Temperature : -20°C~70°C
 - *8. Environmental Safe Standard : RoHS



Panel Wiring Details
Scale=free

C		
B	-Add Note	Li Shuai 2006-03-22
A	-Typing Correction -Revise Dimension	Li Shuai 2004-11-26
Rev/Note		Date
Dwg Title	LM2028-2 Outline Dwg	
Dwg No.	MK-000460b-1-1	Date 2004-04-27
Scale	Tol. ±0.5	Unit mm Paper Size A3
1/1		
Approved	Checked	Drawn Li Shuai

TOPWAY