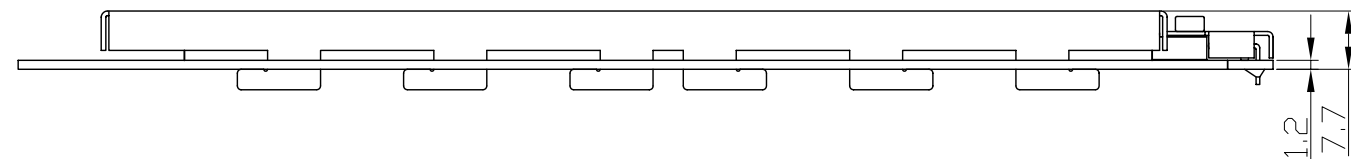
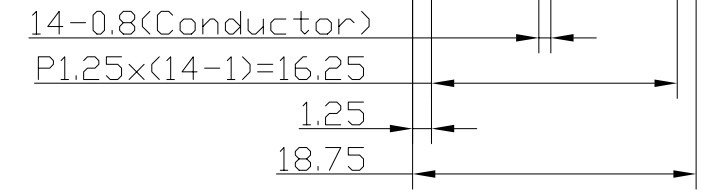
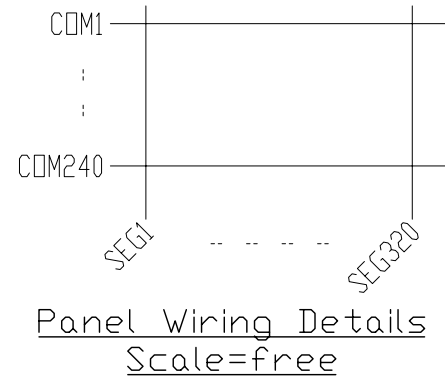
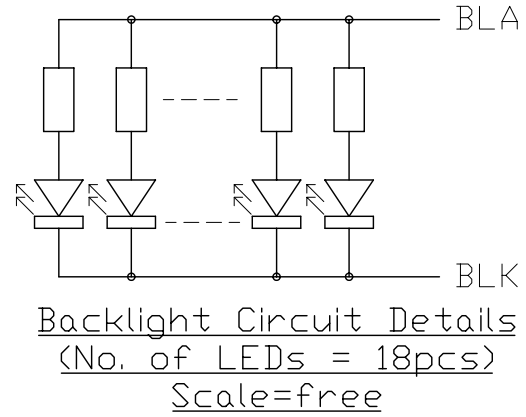


Terminal No.	Name
1	FLM
2	LP
3	CP
4	M
5	V0
6	VDD
7	VSS
8	VEE
9	D0
10	D1
11	D2
12	D3
13	/DISPOFF
14	NC
15	BLA(*6)
16	BLK(*6)

#A Details  
(Conductor Side)  
Scale=2/1



- Note:
- \*1. LCD Display Type : FSTN, Negative, Transmissive
  - \*2. Viewing Direction : 6H
  - \*3. Duty : 1/240duty
  - \*4. Operating Temperature : 0°C~50°C
  - \*5. Storage Temperature : -20°C~70°C
  - \*6. BLA and BLK are NOT on FFC terminal



C		
B		
A		
Rev	Note	Date
Dwg Title LM2028-3 Outline Dwg		
Dwg No. MK-000524-1-1		Date 2004-07-02
Scale 1/1	Tol. ±0.5	Unit mm Paper Size A3
Approved	Checked	Drawn Li Shuai

**TOPWAY**