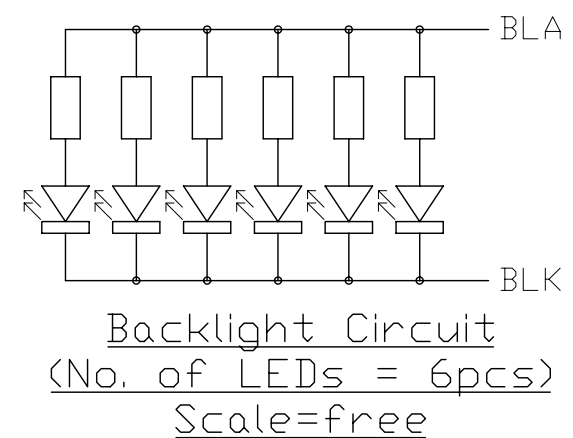
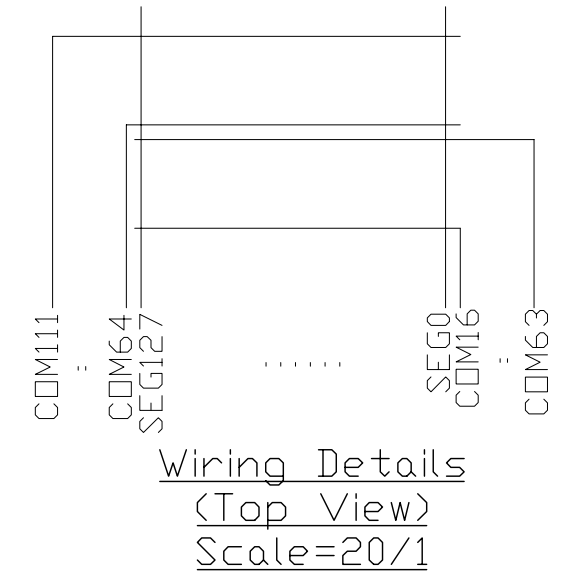
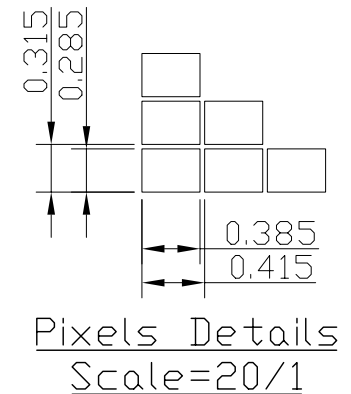
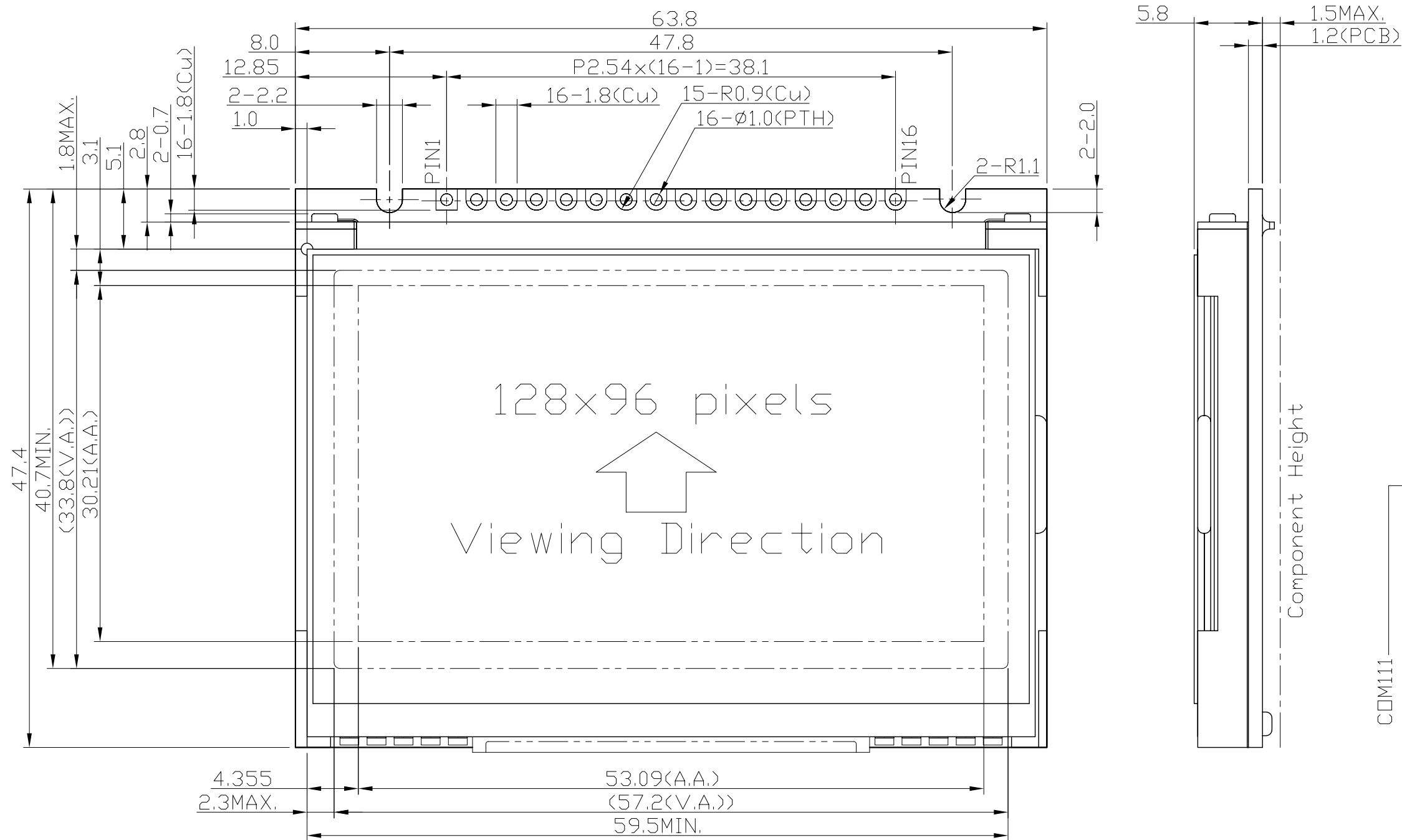


No.	Pin Name
1	/CS
2	/RST
3	RS
4	/WR(R/W)
5	/RD(E)
6	DB0
7	DB1
8	DB2
9	DB3
10	DB4
11	DB5
12	DB6(SCLK)
13	DB7(SID)
14	VDD
15	VSS
16	BLA



- Note:
- \*1. Display Type : FSTN, Positive, Transflective
  - \*2. Duty : 1/96 Bias : 1/10
  - \*3. Operating Temperature : -20°C~70°C
  - \*4. Storage Temperature : -30°C~80°C
  - \*5. Driver/Controller IC : S6B0741
  - \*6. Operating Voltage : 3.3V

C		
B		
A	-Refine Outline	Li Hui Rong 2005-03-05
Rev	Note	Date
Dwg Title LM9033A Outline Drawing		
Dwg No. MK-000583a-1-1		Date
Scale 5/2	Tol. ±0.5	Unit mm Paper Size A3
Approved	Checked	Drawn Li Shuai

**TOPWAY**