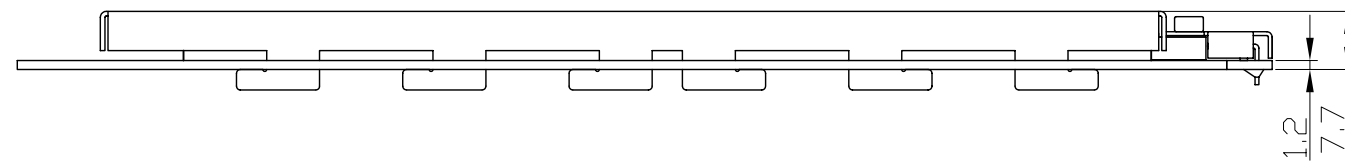
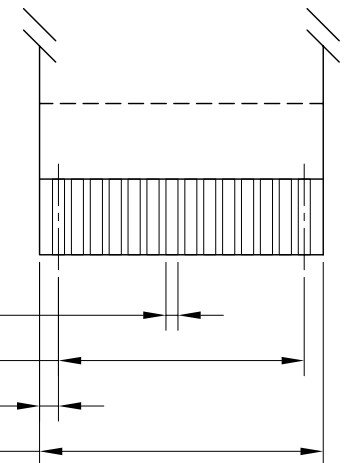
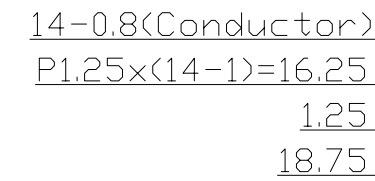


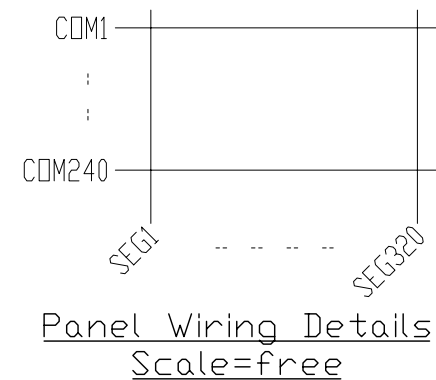
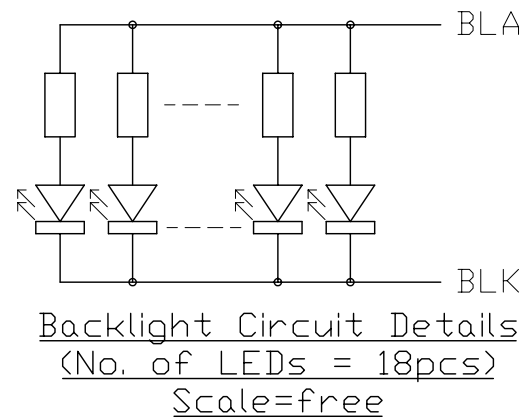
Pixels Details
Scale=20/1

Terminal	
No.	Name
1	FLM
2	LP
3	CP
4	M
5	V0
6	VDD
7	VSS
8	VEE
9	D0
10	D1
11	D2
12	D3
13	/DISPOFF
14	NC
15	BLA(*6)
16	BLK(*6)

#A Details
(Conductor Side)
Scale=2/1



- Note:
- *1. LCD Display Type : FSTN, Positive, Transflective
 - *2. Viewing Direction : 6H
 - *3. Duty : 1/240duty
 - *4. Backlight Color: White
 - *5. Operating Voltage: 3.0~5.0V
 - *6. Operating Temperature : 0°C~50°C
 - *7. Storage Temperature : -20°C~70°C
 - *8. BLA and BLK are NOT on FFC Terminal



C		
B	-Typing Correction	Linyan 2006-10-31
A	-Revise LCD Display Type	Li Shuai 2005-04-16
Rev	Note	Date
Dwg	Title	LM2028-6 Outline Dwg
Dwg No.	MK-000700b-1-1	Date 2004-11-13
Scale	1/1	Tol. ±0.5
Unit	mm	Paper Size A3
Approved	Checked	Drawn Li Shuai

TOPWAY