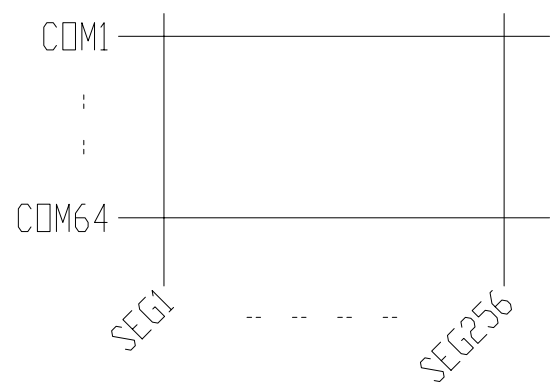
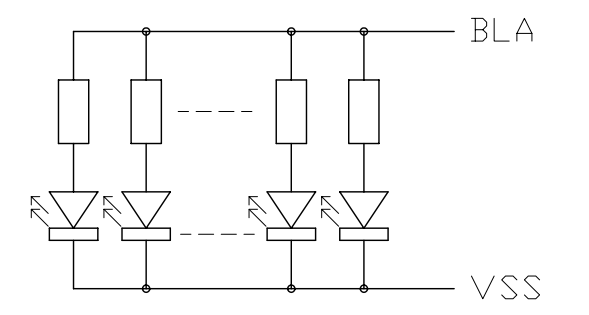


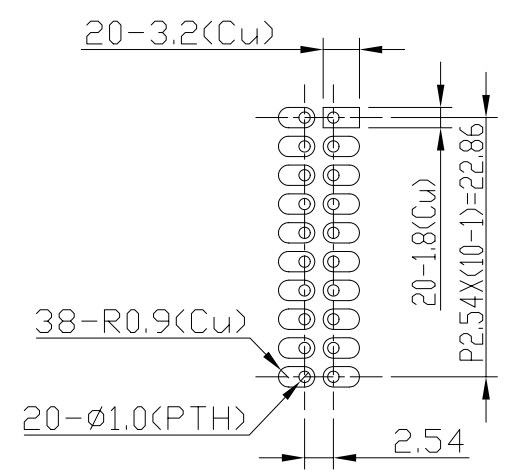
Terminal	
No.	Pin Name
1	VSS
2	VDD
3	V0
4	VOUT
5	RS
6	R/W
7	E
8	DB0
9	DB1
10	DB2
11	DB3
12	DB4
13	DB5
14	DB6
15	DB7
16	CSA
17	CSB
18	CSC
19	/RST
20	BLA



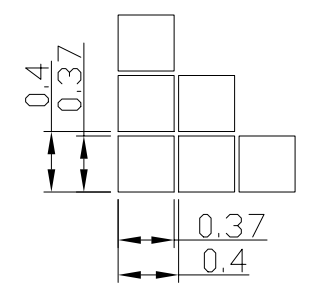
Panel Wiring Details
Scale=free



Backlight Circuit Details
No. of LEDs = 6 pcs
Scale=free



#A Details
Scale=3/2



Pixels Details
Scale=20/1

- Note:
- *1. A VR(25k to 50k) must be connected externally for Contrast Control. Otherwise, external LCD supply should be given to V0.
 - *2. LCD Display Type : FSTN, Positive, Transmissive
 - *3. Viewing Direction : 6H
 - *4. Operating Temperature : -20°C ~ 70°C
 - *5. Storage Temperature : -30°C ~ 80°C

C		
B		
A		
Rev/Note		Date
Dwg Title	LM6800-1 Outline Dwg	
Dwg No.	MK-000889-1-1	Date 2005-04-07
Scale	Tol. ±0.5	Unit mm Paper Size A3
3/2		
Approved	Checked	Drawn Zu Bao Qin

TOPWAY