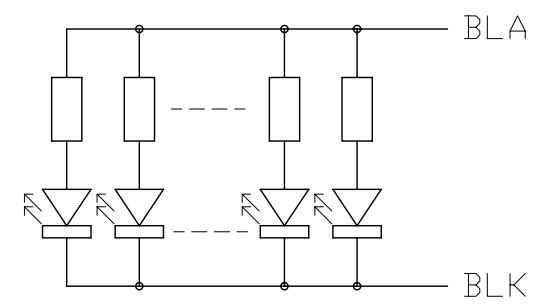


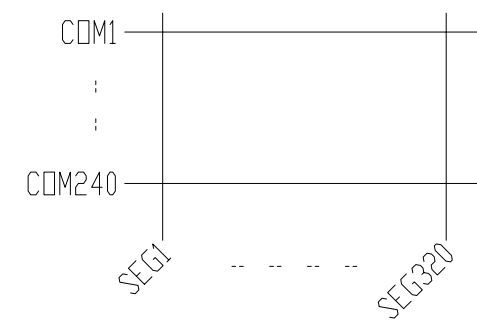
Pixels Details  
Scale=20/1

Terminal No.	Name
1	VSS
2	VDD
3	V0
4	/WR
5	/RD
6	/CS
7	A0
8	/RES
9	DB0
10	DB1
11	DB2
12	DB3
13	DB4
14	DB5
15	DB6
16	DB7
17	NC
18	VDUT
19	BLA
20	BLK



Backlight Circuit Details  
(No. of LEDs = 18pcs)  
Scale=free

- Note:
- \*1. LCD Display Type : STN, Negative, Transmissive
  - \*2. Viewing Direction : 6H
  - \*3. Operating Voltage : 3.3V or 5.0V
  - \*4. Backlight Color : White
  - \*5. Controller: S1D13305(or equivalent)
  - \*6. Duty : 1/240duty
  - \*7. Operating Temperature : 0°C~50°C
  - \*8. Storage Temperature : -20°C~70°C
  - \*9. Environmental Safe Standard : RoHS
  - \*10. An external VR(25k~50k) must be connected for Contrast Control



Panel Wiring Details  
Scale=free

C		
B	-Revise Connection	Lin Yan 2006-09-28
A	-Revise Dimension	Qiao Haikun 2006-05-06
Rev	Note	Date
Dwg Title LM2029 Outline Dwg		
Dwg No.	MK-001240b-1-1	Date 2006-04-19
Scale 1/1	Tol. ±0.5	Unit mm
Approved	Checked	Paper Size A3
		Drawn Qiao Haikun

**TOPWAY**