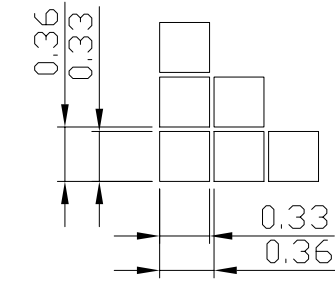
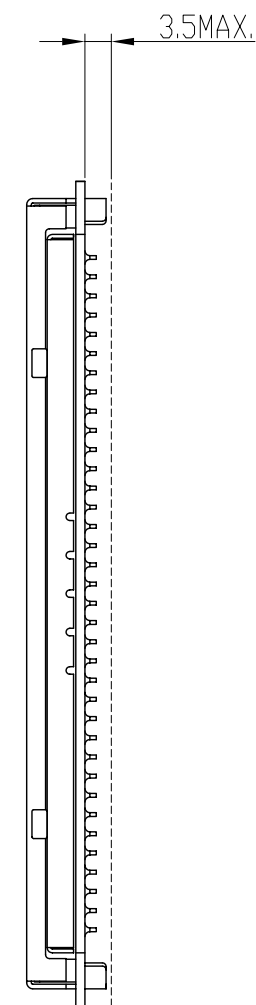


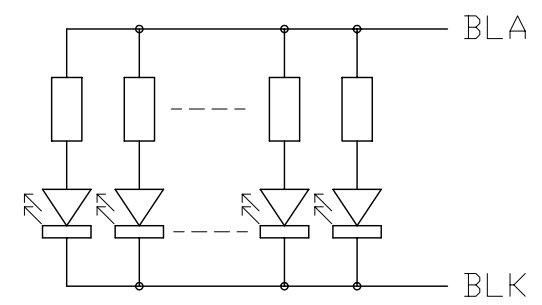
320x240 Pixels
 ↑
 Viewing Direction



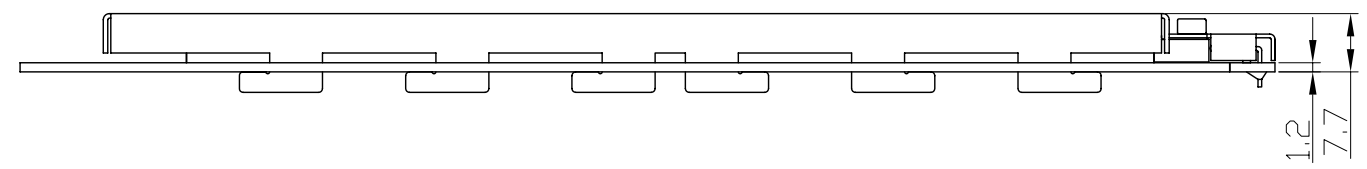
Pixels Details
 Scale=20/1

Terminal No.	Name
1	VSS
2	VDD
3	V0
4	/WR
5	/RD
6	/CS
7	A0
8	/RES
9	DB0
10	DB1
11	DB2
12	DB3
13	DB4
14	DB5
15	DB6
16	DB7
17	NC
18	VDUT
19	BLA
20	BLK

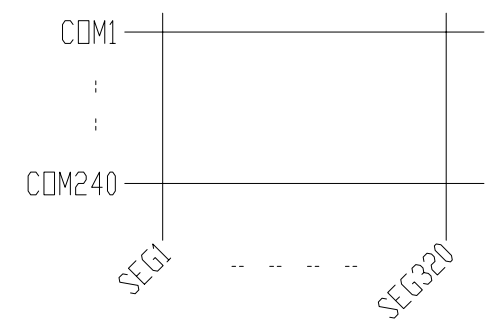
(*10)



Backlight Circuit Details
 (No. of LEDs = 18pcs)
 Scale=free



- Note:
- *1. LCD Display Type : FSTN, Positive, Transflective
 - *2. Viewing Direction : 6H
 - *3. Operating Voltage : 3.3V or 5.0V
 - *4. Backlight Color : White
 - *5. Controller: S1D13305(or equivalent)
 - *6. Duty : 1/240duty
 - *7. Operating Temperature : 0°C~50°C
 - *8. Storage Temperature : -20°C~70°C
 - *9. Environmental Safe Standard : RoHS
 - *10. An external VR(25k~50k) must be connected for Contrast Control



Panel Wiring Details
 Scale=free

C		
B		
A	-Revise Connection	Lin Yan 2006-09-28
Rev/Note		Date
Dwg Title	LM2029-6 Outline Dwg	
Dwg No.	MK-001344a-1-1	Date 2006-07-21
Scale	Tol. ±0.5	Unit mm Paper Size A3
Approved	Checked	Drawn K.C.

TOPWAY