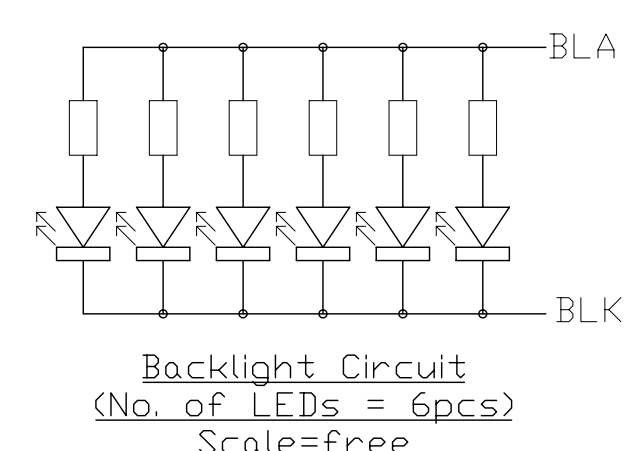


Terminal (*9)	
No.	Pin Name
1	VOUT
2	V0
3	NC
4	VDD
5	VSS
6	D0
7	D1
8	D2
9	D3
10	/DISPOFF
11	LP
12	M
13	CP
14	FLM
15	BLA
16	BLK

Note:

- *1. Display Type : FSTN, Positive, Transflective
- *2. Viewing Direction : 9H
- *3. Duty : 1/240, Bias : 1/12
- *4. Backlight Color : White
- *5. Operating Voltage : 5.0V
- *6. Operating Temperature : -10°C~60°C
- *7. Storage Temperature : -20°C~70°C
- *8. An external VR(25K to 50K) must be connected for Contrast Control
- *9. Environmental Safe Standard : RoHS



C		
B		
A		
Rev/Note		Date
Dwg Title LM2068N Outline Dwg		
Dwg No. MK-001513-1-1		Date 2006-11-28
Scale 3/2	Tol. ±0.5	Unit mm Paper Size A3
Approved	Checked	Drawn Lin Yan
TOPWAY		