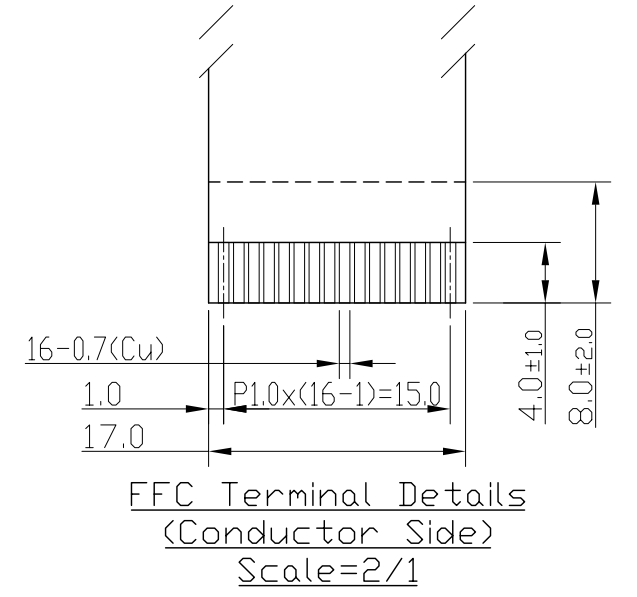
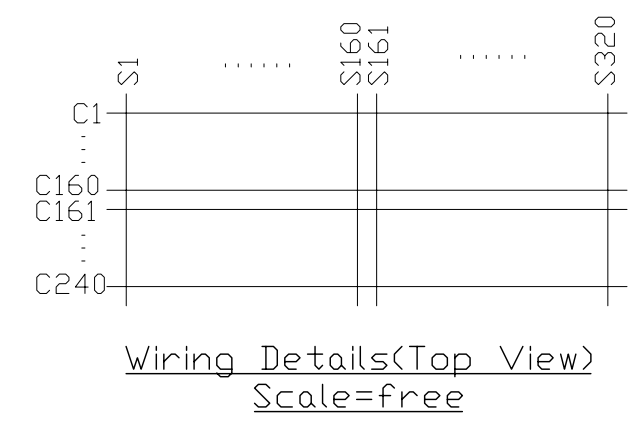
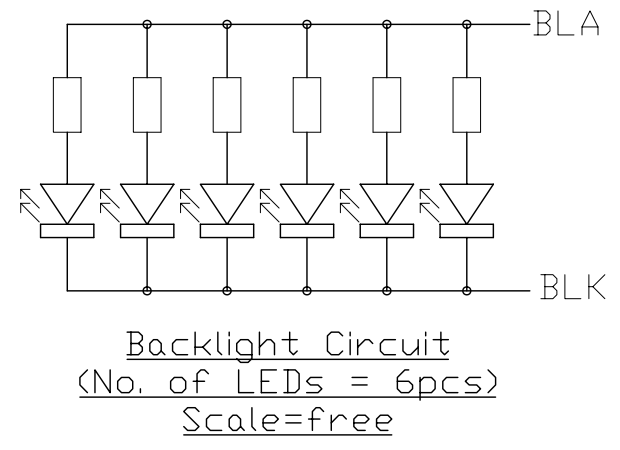


Terminal		(*9)
No.	Pin Name	
1	VEE	
2	V0	
3	NC	
4	VDD	
5	VSS	
6	D0	
7	D1	
8	D2	
9	D3	
10	/DISPOFF	
11	LP	
12	M	
13	CP	
14	FLM	
15	BLA	
16	BLK	



- Note:
- \*1. Display Type : FSTN, Positive, Transflective
  - \*2. Viewing Direction : 9H
  - \*3. Duty : 1/240, Bias : 1/12
  - \*4. Backlight Color : White
  - \*5. Backlight Supply : 96mA (3.3V TYP.)
  - \*6. Operating Voltage : 3.0~5.0V
  - \*7. Operating Temperature : -10°C~60°C
  - \*8. Storage Temperature : -20°C~70°C
  - \*9. An external VR(25K to 50K) must be connected for Contrast Control
  - \*10. Environmental Safe Standard : RoHS



C		
B		
A		
Rev/Note		Date
Dwg Title LM2068N-2 Outline Dwg		
Dwg No. MK-001574-1-1		Date 2007-01-04
Scale 3/2	Tol. ±0.5	Unit mm Paper Size A3
Approved	Checked	Drawn Lin Yan
<b>TOPWAY</b>		