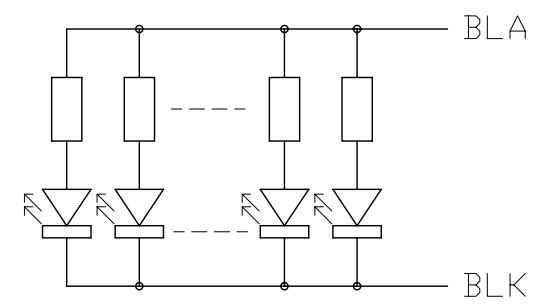
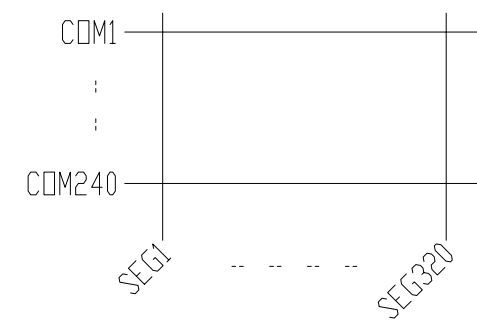
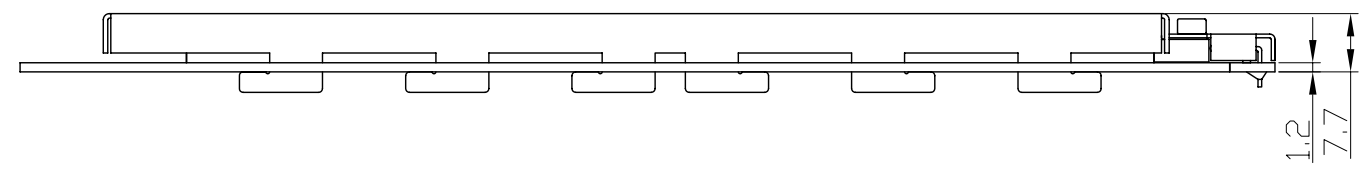


Pixels Details  
Scale=20/1

Terminal No.	Name
1	VSS (*11)
2	VDD
3	V0
4	/WR
5	/RD
6	/CS
7	A0
8	/RES
9	DB0
10	DB1
11	DB2
12	DB3
13	DB4
14	DB5
15	DB6
16	DB7
17	WAIT
18	VDUT
19	BLA
20	BLK



Backlight Circuit Details  
(No. of LEDs = 18pcs)  
Scale=free



Panel Wiring Details  
Scale=free

- Note:
- \*1. LCD Display Type : STN, Negative, Transmissive
  - \*2. Viewing Direction : 6H
  - \*3. Operating Voltage : 5.0V
  - \*4. Backlight Color : White
  - \*5. Backlight Supply : 300mA (5.0V TYP.)
  - \*6. Controller: S1D13700(or equivalent)
  - \*7. Duty : 1/240duty
  - \*8. Operating Temperature : 0°C~50°C
  - \*9. Storage Temperature : -20°C~70°C
  - \*10. Environmental Safe Standard : RoHS
  - \*11. An external VR(25k~50k) must be connected for Contrast Control

C		
B		
A		
Rev	Note	Date
Dwg Title LM2029E Outline Dwg		
Dwg No.	MK-001635-1-1	Date 2007-02-10
Scale 1/1	Tol. ±0.5	Unit mm Paper Size A3
Approved	Checked	Drawn Lin Yan
<b>TOPWAY</b>		