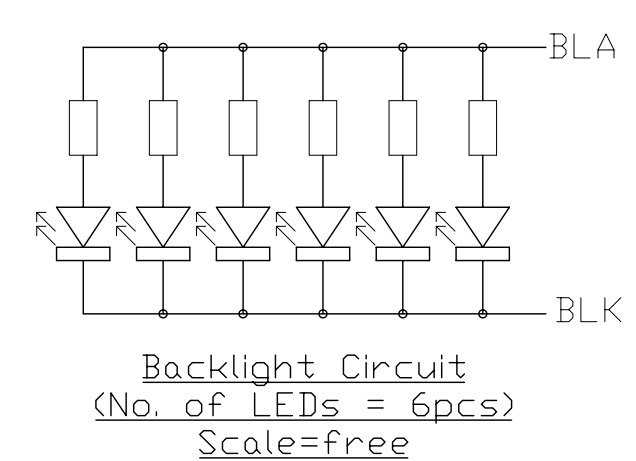


| Terminal | |
|----------|----------|
| No. | Pin Name |
| 1 | VSS |
| 2 | VDD |
| 3 | V0 |
| 4 | /WR |
| 5 | /RD |
| 6 | /CS |
| 7 | A0 |
| 8 | /RES |
| 9 | DB0 |
| 10 | DB1 |
| 11 | DB2 |
| 12 | DB3 |
| 13 | DB4 |
| 14 | DB5 |
| 15 | DB6 |
| 16 | DB7 |
| 17 | /WAIT |
| 18 | VOUT |
| 19 | BLA |
| 20 | BLK |

- Note:
- *1. Display Type : FSTN, Positive, Transflective
 - *2. Viewing Direction : 9H
 - *3. Duty : 1/240, Bias : 1/12
 - *4. Backlight Color : White
 - *5. Backlight Supply: 100mA(3.3V TYP.)
 - *6. Operating Voltage : 3.3V
 - *7. Operating Temperature : -10°C~60°C
 - *8. Storage Temperature : -20°C~70°C
 - *9. Driver IC : S1D13700 or equivalent
 - *10. An external VR(25K to 50K) must be connected for Contrast Control
 - *11. Environmental Safe Standard : RoHS



| | | |
|----------|-----------------------|----------------------------|
| B | | |
| A | Add Metal Frame | Zhou Huifang 2007-09-22 |
| Rev | Note | Date |
| | LM2068E-1 Outline Dwg | |
| Dwg No. | MK-001797a-1-1 | Date 2007-05-28 |
| Scale | Tol. | Unit |
| 3/2 | ±0.5 | mm |
| Approved | Checked | Paper Size A3 |
| | | Drawn Lin Yan |

TOPWAY