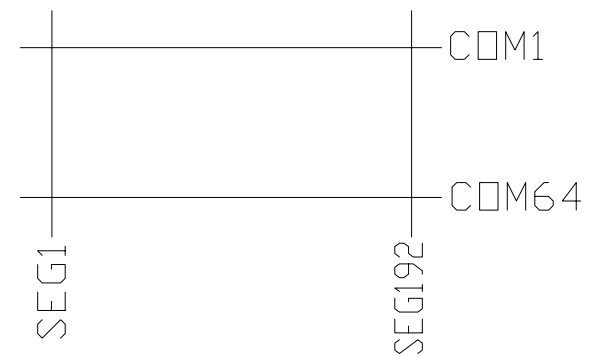
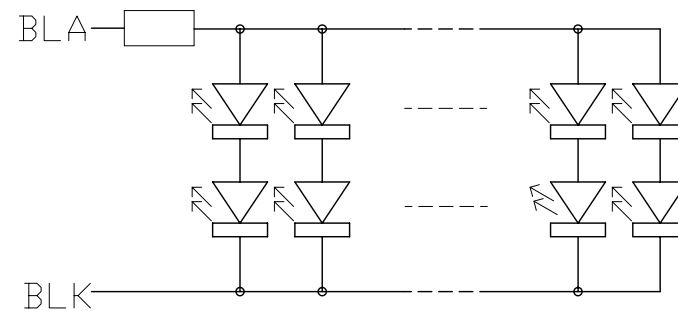


Pixel Details
Scale=20/1

Terminal	
No.	Pin Name
1	DB7
2	DB6
3	DB5
4	DB4
5	DB3
6	DB2
7	DB1
8	DB0
9	E
10	R/W
11	RS
12	V0
13	VDD
14	VSS
15	CSA
16	CSB
17	VOUT
18	RSTB
19	BLA
20	BLK



Wiring Details
Scale=free



Backlight Circuit
(No. of LEDs = 14x2pcs)
Scale=free

NOTE:

- *1. LCD Display Type : STN-YG, Positive, Transflective
- *2. Viewing Direction : 6H
- *3. Duty : 1/64, Bias : 1/9
- *4. Operating Voltage : 5.0V
- *5. Backlight Color : YG
- *6. Backlight Supply : 140mA (5.0V TYP.)
- *7. Operating Temperature : -20°C~70°C
- *8. Storage Temperature : -30°C~80°C
- *9. An external VR(25K to 50K) must be connected for Contrast Control.
- *10. Environmental Safe Standard : RoHS

C		
B		
A		
Rev/Note	Date	
Dwg Title	LM19264ABY Outline Dwg	
Dwg No.	MK-001932-1-1	Date 2007-08-24
Scale	Tol. ±0.5	Unit mm Paper Size A3
Approved	Checked	Drawn Zhou Huifang

TOPWAY