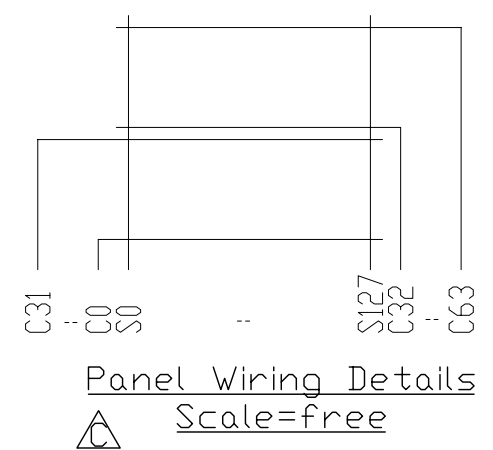
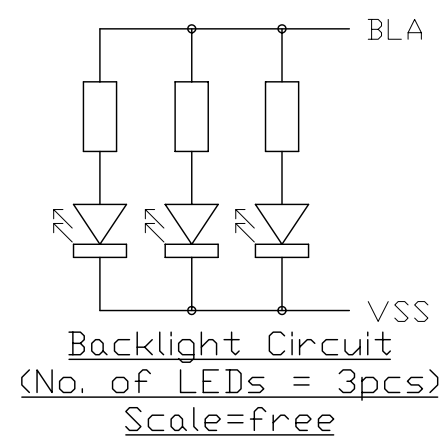
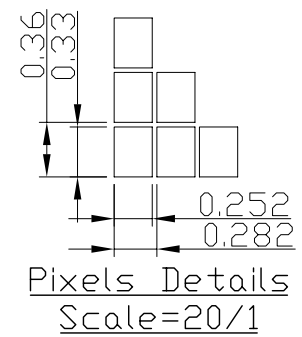


Terminal	
No.	Pin Name
1	/CS
2	/RES
3	A0
4	R/W
5	E
6	D0
7	D1
8	D2
9	D3
10	D4
11	D5
12	D6(SCL)
13	D7(SI)
14	VDD
15	VSS
16	BLA
17	NC
:	:
32	NC



- Note:
- *1. Display Type : FSTN, Positive, Transflective
 - *2. Viewing Direction : 6H
 - *3. Duty : 1/65, Bias : 1/9
 - *4. Backlight Color : White
 - *5. Backlight Supply : 50mA (3.3V TYP.)
 - *6. Operating Voltage : 3.3V
 - *7. Operating Temperature : -20°C~70°C
 - *8. Storage Temperature : -30°C~80°C
 - *9. Driver/Controller IC : ST7565P
 - *10. Interface : Parallel 80mode (default)



D	Update Top, Tst	K.C.	2007-10-24
C	Add Panel Wiring Details	K.C.	2007-09-20
B	Revise Pinout	K.C.	2007-08-23
A	Revise Terminal Size & Location	K.C.	2007-08-23
Rev/Note			Date
Dwg Title	LM6059BCW Outline Dwg		
Dwg No.	MK-001943d-1-1	Date	2007-08-21
Scale	5/2	Tol.	±0.5
Unit	mm	Paper Size	A3
Approved	Checked	Drawn K.C.	

TOPWAY