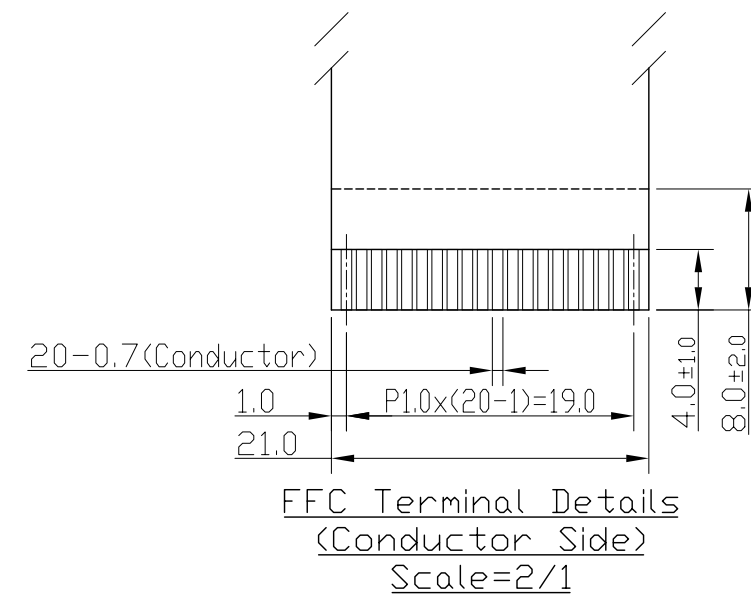
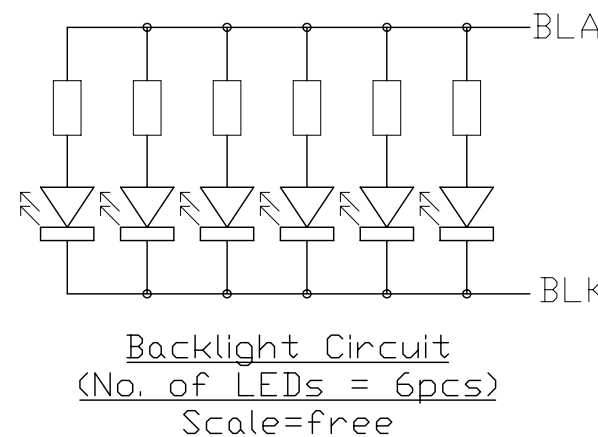


Terminal	
No.	Pin Name
1	VSS
2	VDD
3	V0
4	/WR
5	/RD
6	/CS
7	A0
8	/RES
9	DB0
10	DB1
11	DB2
12	DB3
13	DB4
14	DB5
15	DB6
16	DB7
17	/WAIT
18	VOUT
19	BLA
20	BLK



Note:

- \*1. Display Type : STN, Negative, Transmissive
- \*2. Viewing Direction : 9H
- \*3. Duty : 1/240, Bias : 1/12
- \*4. Backlight Color : White
- \*5. Backlight Supply: 100mA(3.3V TYP.)
- \*6. Operating Voltage : 3.3V
- \*7. Operating Temperature : -10°C~60°C
- \*8. Storage Temperature : -20°C~70°C
- \*9. Driver IC : S1D13700
- \*10. An external VR(25K to 50K) must be connected for Contrast Control
- \*11. Environmental Safe Standard : RoHS



B		
A	Add Metal Frame	Zhou Huifang 2007-09-22
Rev	Note	Date
Dwg	Title	
	LM2068EFC-1 Outline Dwg	
Dwg No.	MK-001992a-1-1	Date 2007-09-14
Scale	Tol.	Unit
3/2	±0.5	mm
Approved	Checked	Paper Size A3
		Drawn K.C.

**TOPWAY**