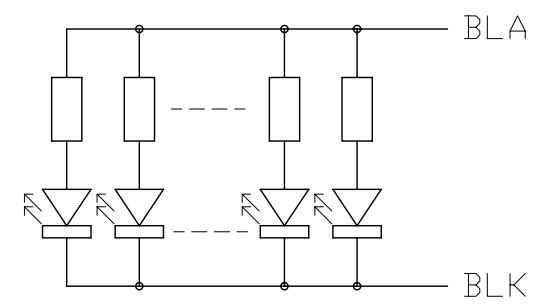
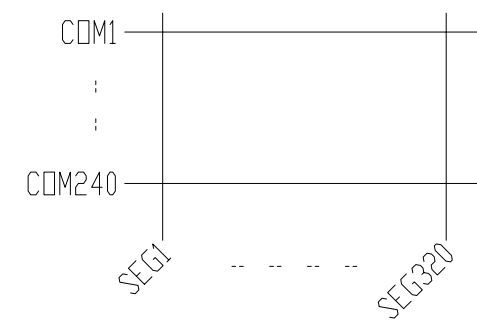
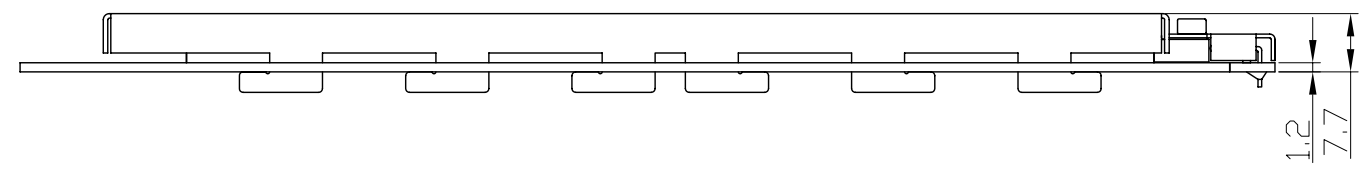


Pixels Details
Scale=20/1

Terminal No.	Name
1	VSS (*11)
2	VDD
3	V0
4	/WR
5	/RD
6	/CS
7	A0
8	/RES
9	DB0
10	DB1
11	DB2
12	DB3
13	DB4
14	DB5
15	DB6
16	DB7
17	WAIT
18	VDOUT
19	BLA
20	BLK



Backlight Circuit Details
(No. of LEDs = 18pcs)
Scale=free



Panel Wiring Details
Scale=free

Note:

- *1. LCD Display Type : FSTN, Positive, Transflective
- *2. Viewing Direction : 6H
- *3. Duty : 1/240 , Bias : 1/17
- *4. Operating Voltage : 5.0V Δ
- *5. Backlight Color : White
- *6. Backlight Supply : 300mA (3.55V TYP.)
- *7. Controller: S1D13700(or equivalent)
- *8. Operating Temperature : 0°C~50°C
- *9. Storage Temperature : -20°C~70°C
- *10. Environmental Safe Standard : RoHS
- *11. An external VR(25k~50k) must be connected for Contrast Control

C		
B		
A	Typing Correction	Zhou Huifang 2007-10-31
Rev/Note		Date
Dwg Title	LM2029ECW Outline Dwg	
Dwg No.	MK-002041a-1-1	Date 2007-10-13
Scale	1/1	Tol. ±0.5
Unit	mm	Paper Size A3
Approved	Checked	Drawn Zhou Huifang

TOPWAY