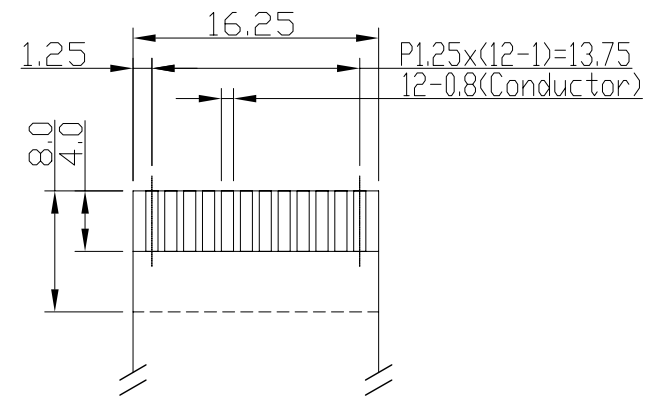
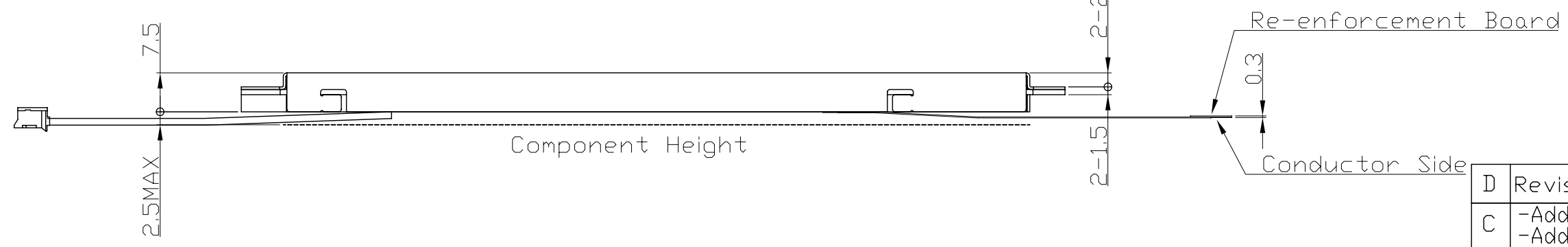


Backlight Circuit Details  
(No. of LED = 13pcs)  
Scale=free

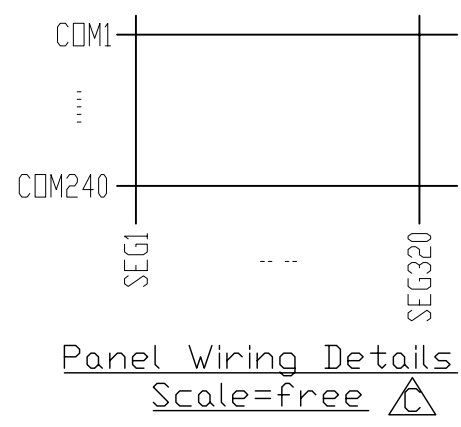
FFC Terminal	
No.	Pin Name
1	FLM
2	LP
3	CP
4	NC
5	/DISPOFF
6	D0
7	D1
8	D2
9	D3
10	VDD
11	VSS
12	VEE



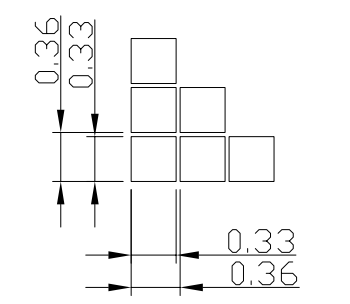
Terminals Details  
(Conductor Side)  
Scale=2/1



- Note:
- \*1. LCD Display Type : STN, Negative, Transmissive
  - \*2. Operating Voltage (VDD-VSS) : 3.0~5.0V
  - \*3. LCD Supply Voltage (VEE-VSS) : 21.9V TYP.  $\triangle$
  - \*4. Backlight Power Supply : 221mA (5.0V TYP)  $\triangle$
  - \*5. Backlight Color : White
  - \*6. Duty : 1/240duty
  - \*7. Operating Temperature : -20°C~70°C  $\triangle$
  - \*8. Storage Temperature : -30°C~80°C
  - \*9. BLA and BLK are NOT on FFC terminal



Panel Wiring Details  
Scale=free  $\triangle$



Pixels Details  
Scale=18/1  $\triangle$

Rev	Note	Date
D	Revise Outline	Zhou Huifang 2008-07-23
C	-Add Pixel Details -Add Panel Wiring Details	Zhang Ge 2008-01-04
B	-Revise BL Terminal -Add Note	Zhang Ge 2007-12-27
A	-Revise Note	Zhou Huifang 2007-11-29

RevNote  
Dwg Title

LM32019TFW Outline Dwg	Date
	2007-11-15

Dwg No. MK-002099d-1-1

Scale 1/1	Tol. ±0.5	Unit mm	Paper Size A3
-----------	-----------	---------	---------------

Approved \_\_\_\_\_ Checked \_\_\_\_\_ Drawn K.C.

