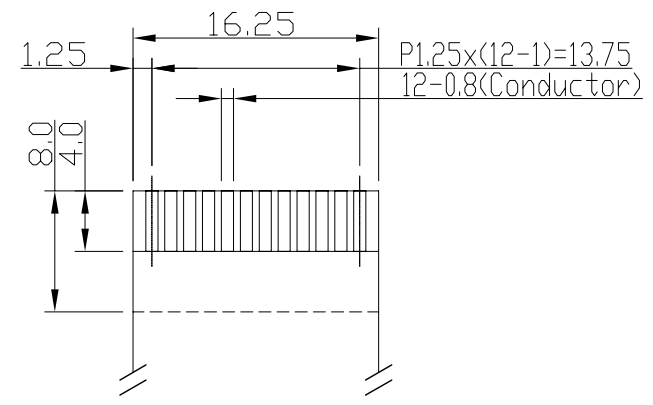
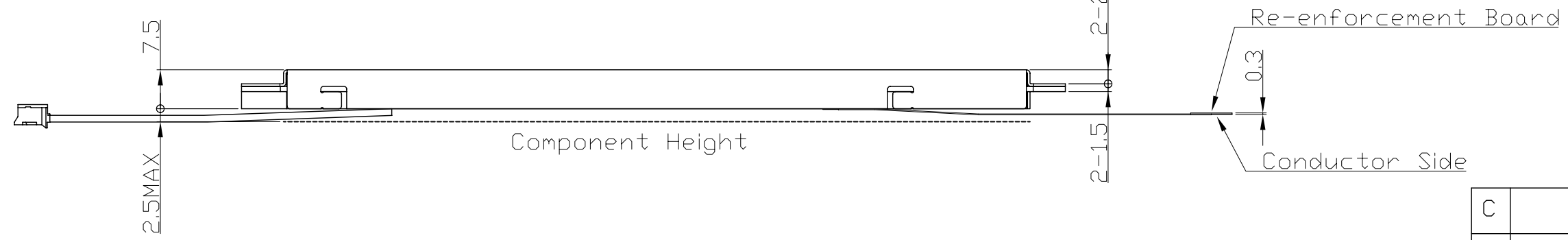


Backlight Circuit Details  
(No. of LED = 13pcs)  
Scale=free

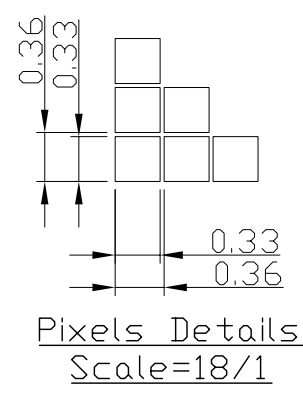
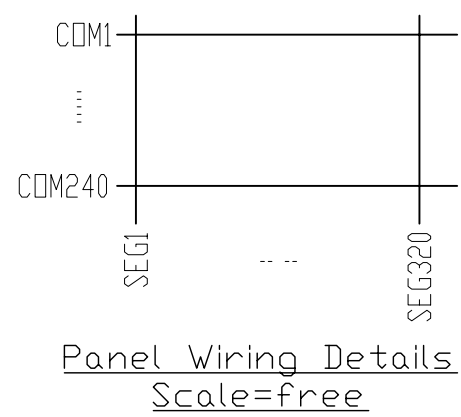


Terminals Details  
(Conductor Side)  
Scale=2/1

FFC Terminal		
No.	Pin	Name
1	FLM	
2	LP	
3	CP	
4	NC	
5	/DISPOFF	
6	D0	
7	D1	
8	D2	
9	D3	
10	VDD	
11	VSS	
12	VEE	



- Note:
- \*1. LCD Display Type : FSTN, Positive, Transmissive
  - \*2. Operating Voltage (VDD-VSS) : 3.0~5.0V
  - \*3. LCD Supply Voltage (VEE-VSS) : 21.9V TYP.
  - \*4. Backlight Power Supply : 221mA (5.0V TYP)
  - \*5. Backlight Color : White
  - \*6. Duty : 1/240duty
  - \*7. Operating Temperature : -20°C~70°C
  - \*8. Storage Temperature : -30°C~80°C
  - \*9. BLA and BLK are NOT on FFC terminal



C			
B			
A	Revise Outline		Zhou Huifang 2008-07-10
RevNote			Date
Dwg Title			LM32019TCW Outline Dwg
Dwg No.		MK-002312b-1-1	Date 2008-02-26
Scale	Tol.	Unit	Paper Size
1/1	±0.5	mm	A3
Approved	Checked	Drawn Zhou Huifang	

**TOPWAY**