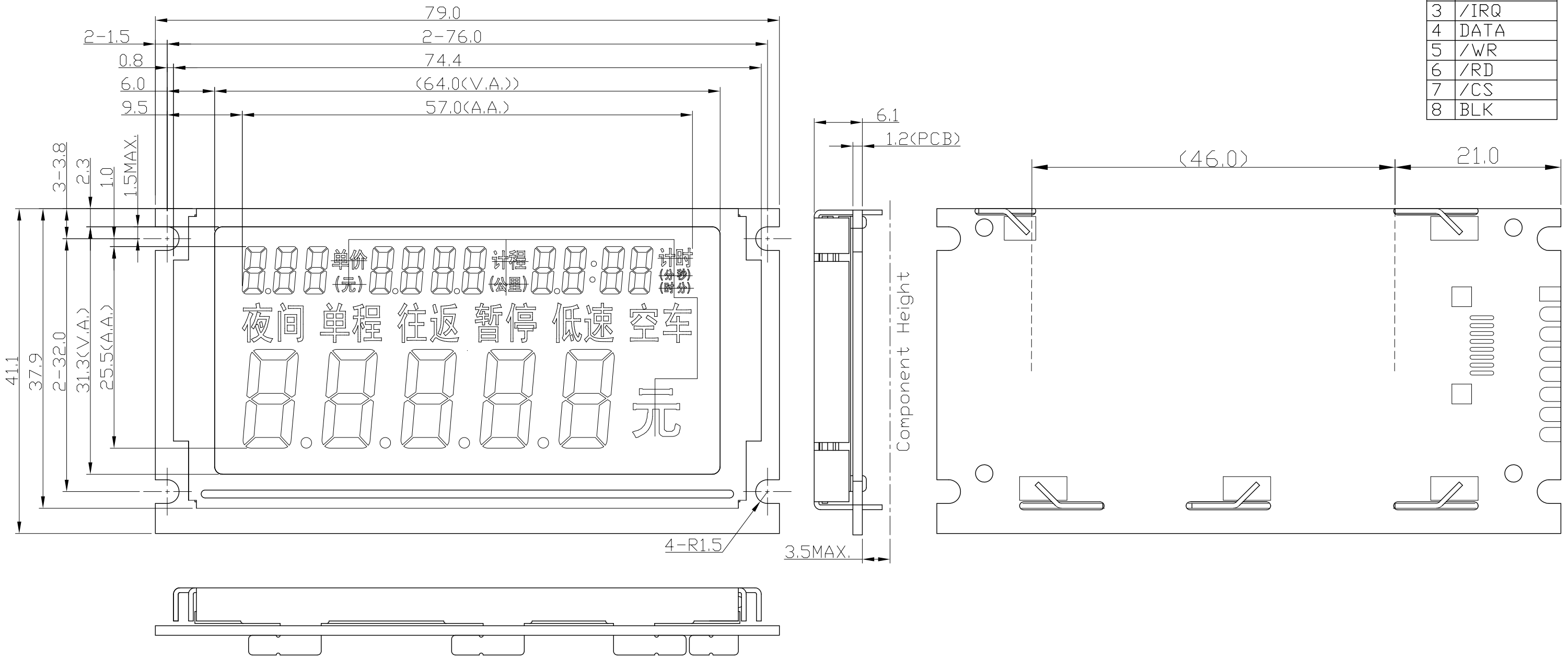
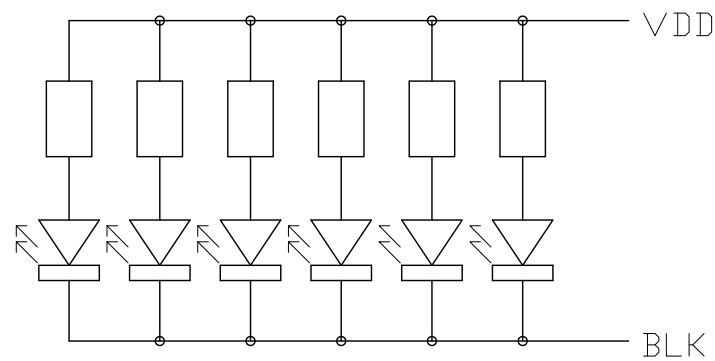


| Terminal No. | Pin Name |
|--------------|----------|
| 1 | VDD |
| 2 | VSS |
| 3 | /IRQ |
| 4 | DATA |
| 5 | /WR |
| 6 | /RD |
| 7 | /CS |
| 8 | BLK |



- Note:
- *1. LCD Display Type : TN, Positive, Transflective
 - *2. Viewing Direction : 12H
 - *3. Duty : 1/4
 - *4. Operating Voltage: 5.0V
 - *5. Backlight Color: White
 - *6. Backlight Supply : 102mA(5.0V TYP.)
 - *7. Operating Temperature : -20°C~70°C
 - *8. Storage Temperature : -30°C~80°C



Backlight Circuit Details
(No. of LEDs = 6pcs)
Scale=2/1

| | | |
|-----------|---------------------|--------------------------|
| C | | |
| B | | |
| A | Revise Outline | 2008-07-16 David Yuan |
| Rev/Note | | Date |
| Dwg Title | TWM333A Outline Dwg | |
| Dwg No. | MK-002382a-1-1 | Date 2008-04-09 |
| Scale | Tol. | Unit |
| 2/1 | ±0.5 | mm |
| Approved | Checked | Paper Size A3 |
| | | Drawn Zhou Huifang |

TOPWAY