



深圳市拓普微科技开发有限公司

SHENZHEN TOPWAY TECHNOLOGY CO., LTD.

# LM6063XFW

## LCD Module User Manual

Prepared by:  <b>Wangxikuan</b>  Date: 2018-07-19	Checked by:    Date:	Approved by:    Date:
---	----------------------------------	-----------------------------------

Rev.	Descriptions	Release Date
0.1	Preliminary release	2018-07-19

## **Table of Content**

<b>1. Basic Specifications .....</b>	<b>3</b>
1.1 Display Specifications .....	3
1.2 Mechanical Specifications .....	3
1.3 Block Diagram .....	3
1.4 Terminal Functions .....	4
1.5 Backlight Functions .....	4
<b>2. Absolute Maximum Ratings .....</b>	<b>5</b>
<b>3. Electrical Characteristics .....</b>	<b>5</b>
3.1 DC Characteristics .....	5
3.2 LED Backlight Circuit Characteristics .....	5
3.3 AC Characteristics .....	6
<b>4. Function specifications .....</b>	<b>8</b>
4.1 Adjusting the Display Contrast .....	8
4.2 Application circuit(Example) .....	8
4.3 Basic Setting .....	9
4.4 Resetting the LCD module .....	9
4.5 Display Memory Map .....	9
4.6 Display Commands .....	10
4.7 Display Commands (continue) .....	11
<b>5. Design and Handling Precaution .....</b>	<b>12</b>

## 1. Basic Specifications

### 1.1 Display Specifications

- |                     |   |
|---------------------|---|
| 1) LCD Display Mode | : STN-Blue,Negative, Transmissive   |
| 2) Display Color    | : Display Data = "1" : Light Gray (*1)<br>: Display Data = "0" : Dark Blue (*2) |
| 3) Viewing Angle    | : 6H  |
| 4) Driving Method   | : 1/65 duty, 1/9 bias   |
| 5) Backlight        | : White LED backlight   |

Note:

\*1. Color tone may slightly change by Temperature and Driving Condition.

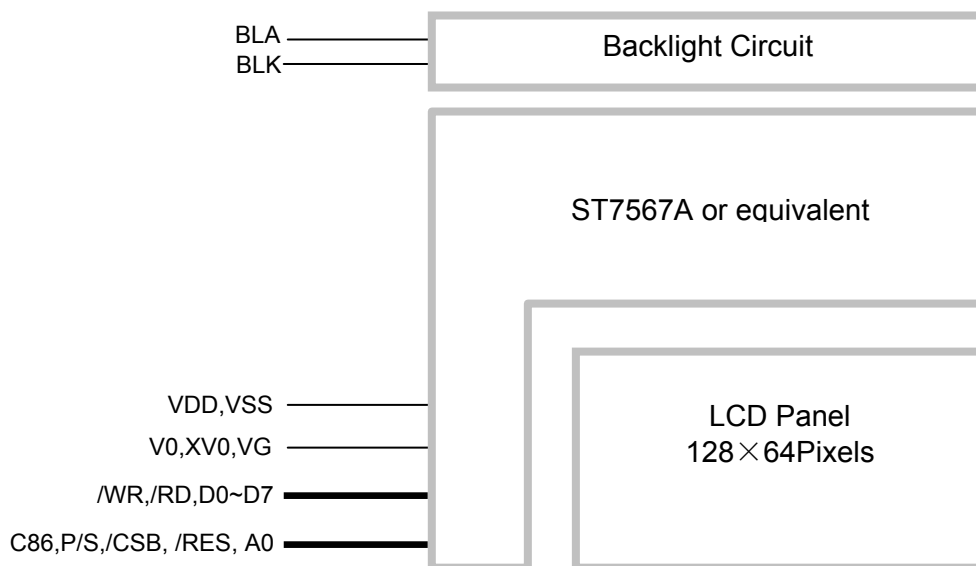
\*2. The Color is defined as the inactive / background color

\*3. Fine Contrast adjustment function is necessary in the application design for optimal display result

### 1.2 Mechanical Specifications

- |                      |  |
|----------------------|--|
| 1) Outline Dimension | : 78.5 x 51.0 x 8.9 (mm) (exclude FPC)<br>(See attached Outline Drawing for details) |
|----------------------|--|

### 1.3 Block Diagram



### 1.4 Terminal Functions

Pin No.	PIN Name	I/O	Descriptions														
			8-bit parallel 80mode (default)	8-bit parallel 68mode	Serial												
					4wire												
1	/CSB	Input	Chip Select /CSB=L, enable access to the LCD module /CSB=H, disable access to the LCD module														
2	/RES	Input	Reset signal /RES = L, Initialization is executed /RES = H, Normal running.														
3	A0	Input	Register Select A0 = H, Transferring the Display Data A0 = L, Transferring the Control Data														
4	/WR (R/W)	Input	/WR=L→H, /RD=H; Data or Instruction latch into the LCD module	Read write control R/W=H: data or status read R/W=L: data or command write	/RD (E) and /WR (R/W) are fixed to either "H" .												
5	/RD(E)	Input	/WR=H, /RD=L; Data or Status read form the LCD module	Enable trigger													
6	D0(SCL)	I/O	8-bit Data bus; Three state I/O terminal for display data or instruction data	Serial clock input													
7	D1(SDA IN)			Serial data input													
8	D2(SDA OUT)			Serial data output													
9	D3(SDA OUT)			D4 to D7 must be fixed to "H".													
10	D4																
13	D7																
14	VDD	Power	Poitive Power Supply														
15	VSS	Power	0V Power Supply, Ground														
16	NC	--	No Connection														
17	NC	--	No Connection														
18	V0	Power	LCD driving voltage for common circuits at negative frame.														
19	XV0	Power	LCD driving voltage for common circuits at positive frame.														
20	NC	--	No Connection														
:	:	:	No Connection														
27	NC	--	No Connection														
28	VG	Power	LCD driving voltage for segment circuits.														
29	NC	--	No Connection														
30	C86	Input	<table border="1"> <thead> <tr> <th>P/S</th> <th>C86</th> <th>Selected Interface</th> </tr> </thead> <tbody> <tr> <td>H</td> <td>L</td> <td>parallel 8080 Series MPU interface(default)</td> </tr> <tr> <td>H</td> <td>H</td> <td>parallel 6800 Series MPU interface</td> </tr> <tr> <td>L</td> <td>H</td> <td>Serial 4-line SPI interface</td> </tr> </tbody> </table>			P/S	C86	Selected Interface	H	L	parallel 8080 Series MPU interface(default)	H	H	parallel 6800 Series MPU interface	L	H	Serial 4-line SPI interface
P/S	C86	Selected Interface															
H	L	parallel 8080 Series MPU interface(default)															
H	H	parallel 6800 Series MPU interface															
L	H	Serial 4-line SPI interface															
31	P/S	Input															
32	NC	--	No Connection														

### 1.5 Backlight Functions

PIN NO	PIN Name	I/O	Descriptions
1	BLA	Supply	Backlight Positive power supply
2	BLK	Supply	Backlight Negative power supply

## 2. Absolute Maximum Ratings

Items	Symbol	Min.	Max.	Unit	Condition
Supply Voltage	$V_{DD}$	-0.3	+4.0	V	$V_{SS} = 0V$
Input Voltage	$V_{IN}$	-0.3	$V_{DD}+0.3$	V	$V_{SS} = 0V$
Operating Temperature	$T_{OP}$	-20	+70	°C	No Condensation
Storage Temperature	$T_{ST}$	-30	+80	°C	No Condensation

Cautions:

Any Stresses exceeding the Absolute Maximum Ratings may cause substantial damage to the device. Functional operation of this device at other conditions beyond those listed in the specification is not implied and prolonged exposure to extreme conditions may affect device reliability.

## 3. Electrical Characteristics

### 3.1 DC Characteristics

$V_{SS}=0V, V_{DD}=3.3V, T_{OP}=25^{\circ}C$

Items	Symbol	MIN.	TYP.	MAX.	Unit	Condition / Application Pin
Operating Voltage	$V_{DD}$	2.7	3.3	3.6	V	VDD
Input High Voltage	$V_{IH}$	$0.8 \times V_{DD}$	-	$V_{DD}$	V	/RES, /CSB, A0,
Input Low Voltage	$V_{IL}$	$V_{SS}$	-	$0.2 \times V_{DD}$	V	/WR, /RD, D0~D7
Operating Current	$I_{DD}$	-	0.31	1.3	mA	VDD

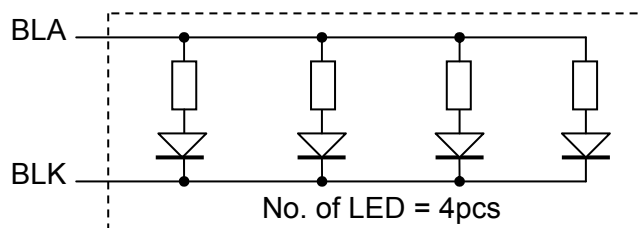
### 3.2 LED Backlight Circuit Characteristics

$BLK=0V, BLA=3.3V, T_{OP} = 25^{\circ}C$

Items	Symbol	MIN.	TYP.	MAX.	Unit	Applicable Pin
Forward Voltage	BLA	-	3.3	-	V	BLA
Forward Current	$I_{BLA}$	-	68	80	mA	BLA

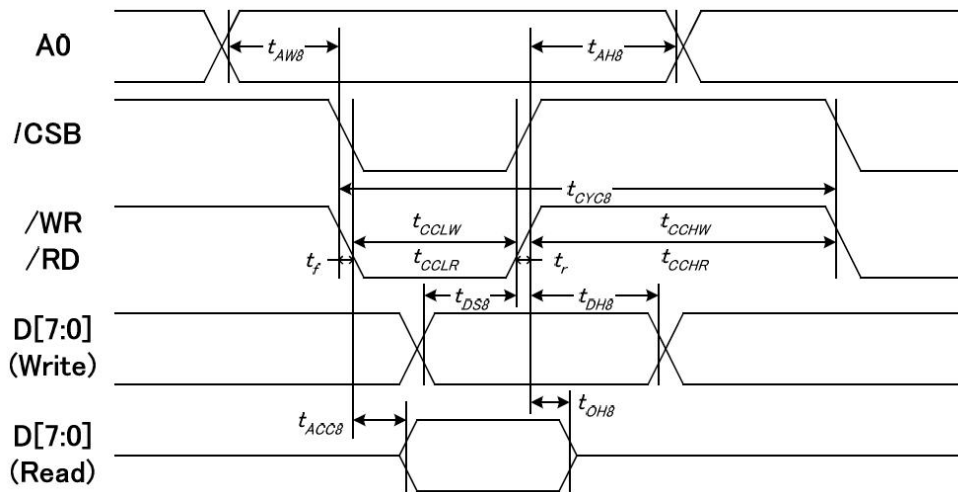
Cautions:

Exceeding the recommended driving current could cause substantial damage to the backlight and shorten its lifetime.



### 3.3 AC Characteristics

#### 3.3.1 8080 Mode System Bus Timing



$V_{SS}=0V, V_{DD}=3.3V, T_{OP}=25^{\circ}C$

Item	Symbol	MIN.	TYP.	MAX.	Unit
System cycle time	tcyc8	312	-	-	ns
Address setup time (A0)	taw8	10	-	-	ns
Address hold time (A0)	tah8	13	-	-	ns
Control LOW pulse width (/WR)	tcclw	104	-	-	ns
Control LOW pulse width (/RD)	tcclr	182	-	-	ns
Control HIGH pulse width (/WR)	tcchw	104	-	-	ns
Control HIGH pulse width (/RD)	tcchr	104	-	-	ns
Data setup time	tds8	52	-	-	ns
Data hold time	tdh8	26	-	-	ns
/RD access time (*2)	tacc8	-	-	91	ns
Output disable time (*2)	toh8	3	-	65	ns

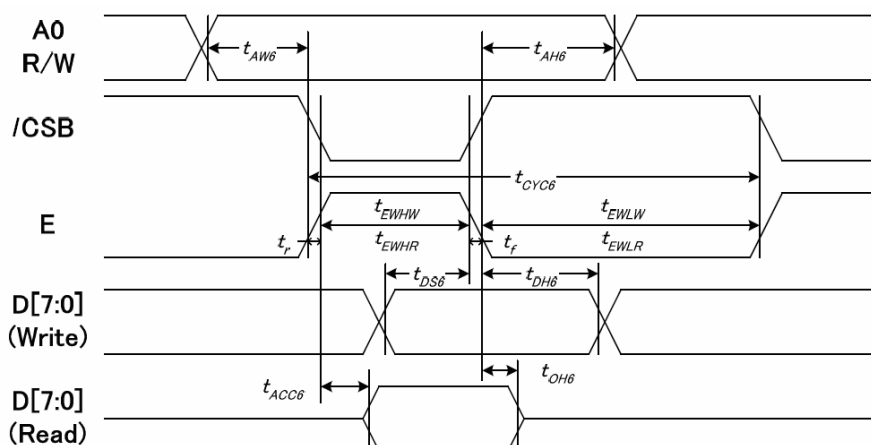
Note:

\*1. Input signal rise/fall time should be less than 15ns .

\*2. CL=100pF

\*3.All timing is using 20% and 80% of VDD as the reference.

### 3.3.2 6800 Mode System Bus Timing


 $V_{SS}=0V, V_{DD}=3.3V, T_{OP}=25^{\circ}C$ 

Item	Symbol	MIN.	TYP.	MAX.	Unit
System cycle time	tcyc6	312	-	-	ns
Address setup time (A0)	taw6	10	-	-	ns
Address hold time (A0)	tah6	13	-	-	ns
Enable LOW pulse width (write)	tewlw	104	-	-	ns
Enable HIGH pulse width (write)	tewhw	104	-	-	ns
Enable LOW pulse width (read)	tewlr	104	-	-	ns
Enable HIGH pulse width (read)	tewhr	182	-	-	ns
Write data setup time	tds6	52	-	-	ns
Write data hold time	tdh6	13	-	-	ns
Read data access time (*2)	tacc6	-	-	91	ns
Read data Output disable time (*2)	toh6	3	-	65	ns

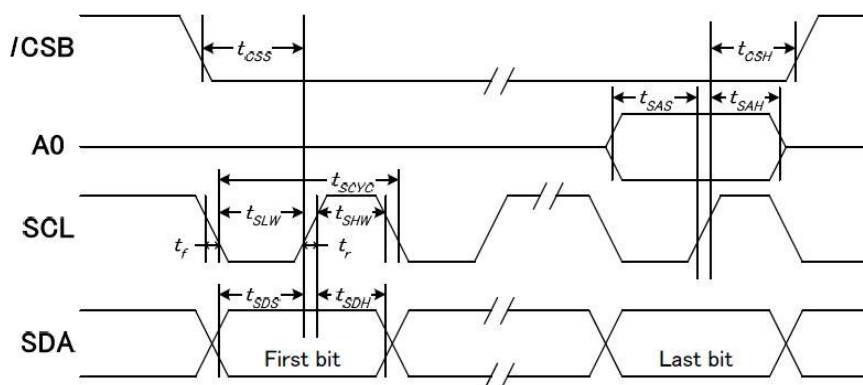
Note:

\*1. Input signal rise/fall time should be less than 15ns .

\*2. CL=100pF

\*3.All timing is using 20% and 80% of VDD as the reference.

### 3.3.3 4-SPI Mode System Bus Timing


 $V_{SS}=0V, V_{DD}=3.3V, T_{OP}=25^{\circ}C$ 

Item	Symbol	MIN.	TYP.	MAX.	Unit
Serial clock cycle time(SCL)	tscyc	65	-	-	ns
SCL HIGH pulse width(SCL)	tshw	33	-	-	ns
SCL LOW pulse width(SCL)	tslw	33	-	-	ns
Address setup time (A0)	tsas	26	-	-	ns
Address hold time (A0)	tsah	13	-	-	ns
Data setup time(SDA)	tsds	26	-	-	ns
Data hold time(SDA)	tsdh	13	-	-	ns
/CSB-SCL time(/CSB)	tcss	26	-	-	ns
/CSB-SCL time(/CSB)	tcsh	52	-	-	ns

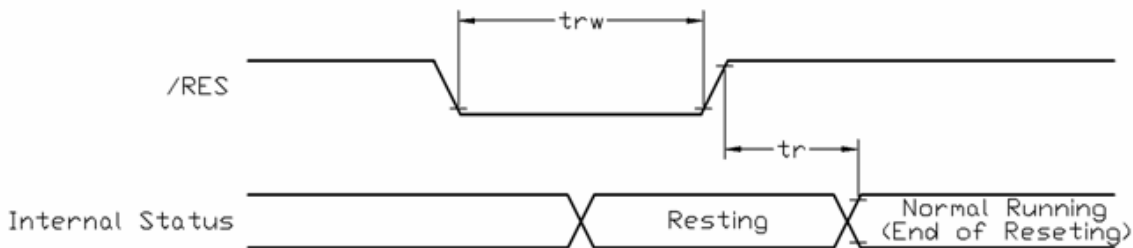
Note:

\*1. Input signal rise/fall time should be less than 15ns .

\*2. CL=100pF

\*3.All timing is using 20% and 80% of VDD as the reference.

### 3.3.4 Reset Timing



$V_{SS}=0V, V_{DD}=3.3V, T_{OP}=25^{\circ}C$

Item	Symbol	MIN.	TYP.	MAX.	Unit
Reset time	tr	-	-	2.5	$\mu s$
Reset LOW pulse width	trw	2.5	-	-	$\mu s$

Note:

\*1.All timing is using 20% and 80% of VDD as the reference.

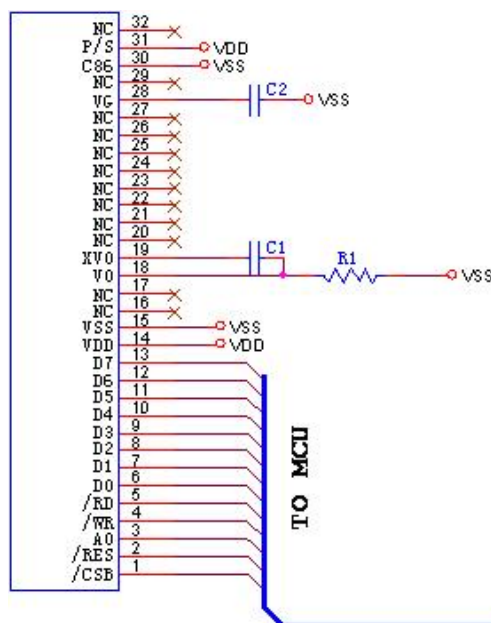
## 4. Function specifications

### 4.1 Adjusting the Display Contrast

- This LCD module equipped with latest digital contrast adjustment function.
- Its display contrast could be adjusted by MCU command. (please see the command tables for details)
- It is recommended to provide a contrast adjustment interface for end-user, where the best display result could meet the individual preference in mass production.

### 4.2 Application circuit(Example)

- 4x boosting
- 8-bit Parallel 8080 mode
- C1、C2=1.0 $\mu$ F (25V)
- R1=1M (default NC)



Note:

Please refer to the ST7567A data sheet for details



### 4.3 Basic Setting

To drive the LCD module correctly and provide normally display, please use the following setting

- ADC = 1 (reverse)
- SHL select = 0 (normal)
- LCD Bias Select = 1/9
- Initial Display Line = 0
- Entire Display ON/OFF = OFF (normal)
- Reverse Display ON/OFF = OFF (normal)
- Set Power Control Set:
  - voltage follower = ON, voltage converter = ON, voltage regulator = ON
- Display ON/OFF = ON

Note:

\*1. These setting/commands should issue the LCD module while start up.

\*2. See the Display Commands section for details.

### 4.4 Resetting the LCD module

The LCD module should be initialized by using /RES terminal.

While turning on the VDD and VSS power supply, maintain /RES terminal at LOW level. After the power supply stabilized, release the reset terminal (/RES=HIGH)

### 4.5 Display Memory Map

Page address	data	LCD Display (front view)	
0	D0 ⋮ D7	128x64 pixels	
1	D0 ⋮ D7		
2	D0 ⋮ D7		
3	D0 ⋮ D7		
4	D0 ⋮ D7		
5	D0 ⋮ D7		
6	D0 ⋮ D7		
7	D0 ⋮ D7		
Column Address		00h	→ 7Fh

Note:

\*1. ADC = 1 (reverse)

\*2. SHL Selection = 0 (normal)

\*3. Initial Display Line = 0

## 4.6 Display Commands

No.	Instructions	Code											Function
		a0	/RD	/WR	D7	D6	D5	D4	D3	D2	D1	D0	
1	Display ON/OFF	0	1	0	1	0	1	0	1	1	1	DON	DON=0, display off DON=1, display on
2	Display start line set	0	1	0	0	1	Display start address						Sets the display RAM display start line address
3	Set Page Address	0	1	0	1	0	1	1	Page Address				Set the display RAM page address
4	Set Column Address (Upper-4-bits)	0	1	0	0	0	0	1	Col. Add. Upper				Set the upper-4-bit of column address counter
	Set Column Address (Lower-4-bits)	0	1	0	0	0	0	0	Col. Add. Lower				Set the lower-4-bit of column address counter
5	Read Status	0	0	1	Status				0	0	0	0	Read the status data
6	Write Display Data	1	1	0	Write Data								Write data into the display RAM
7	Read Display Data	1	0	1	Read Data								Read data form the display RAM
8	ADC Select	0	1	0	1	0	1	0	0	0	0	ADC	Sets the display RAM address SEG output correspondence ADC= 0,normal . ADC=1, reverse
9	Normal/Reverse Display	0	1	0	1	0	1	0	0	1	1	REV	REV=0, Normal display REV=1, Reverse display
10	Entire Display ON/OFF	0	1	0	1	0	1	0	0	1	0	EON	EON=0, Normal display EON=1, Entire display ON
11	Set LCD Bias	0	1	0	1	0	1	0	0	0	1	BIAS	Set the LCD driving voltage bias BIAS=0, 1/9 BIAS BIAS=1, 1/7 BIAS
12	Set Read-Modify-Write	0	1	0	1	1	1	0	0	0	0		Enter the "Read-Modify-Write" mode column address counter will increase in each "Write Display Data", and will not increase in each "Read Display Data command"
13	Reset Read-Modify-Write	0	1	0	1	1	1	0	1	1	1	0	Clear the "Read-Modify-Write" mode
14	Reset	0	1	0	1	1	1	0	0	0	1	0	Resets the LCD module
15	SHL Select	0	1	0	1	1	0	0	SHL	*	*	*	Set the COM scanning direction SHL=0, Normal display SHL=1, Flipped in y direction * = don't care terms
16	Power Control Set	0	1	0	0	0	1	0	1	VC	VR	VF	Set the power circuit operation mode VF: LCD Supply Voltage Follower VR: LCD Supply Voltage Regulator VC: LCD Supply Voltage Converter (1=ON, 0=OFF)
17	Regulator Resistor Select	0	1	0	0	0	1	0	0	Radio setting			Set the built-in resistor ratio (Rb/Ra)

#### 4.7 Display Commands (continue)

No.	Instructions	Code											Function
		A0	/RD	/WR	D7	D6	D5	D4	D3	D2	D1	D0	
18	Electronic volume mode set	0	1	0	1	0	0	0	0	0	0	1	Set reference voltage mode
	Electronic volume register set	0	1	0	*	*	Electronic Control value					Set reference voltage register (Display contrast value)	
19	Sleep Mode Set	0	1	0	1	0	1	0	1	1	0	S	Sleep Mode (2 byte command) S=0, sleep mode S=1, normal mode
		0	1	0	0	0	0	0	0	0	0	0	
20	Booster Ratio Set	0	1	0	1	1	1	1	1	0	0	0	Booster Ratio (2 byte command) Ratio=00, 2x, 3x, 4x
		0	1	0	0	0	0	0	0	0	0	Ratio	Ratio=01, 5x Ratio=11, 6x
21	NOP	0	1	0	1	1	1	0	0	0	1	1	Non-operation command

Note: \*1. Do not use any other command not listed, or the system malfunction may result.  
\*2. For the details of the Display Commands, please refer to ST7567A data sheet.

##### 4.7.1 Power off the LCD Module

##### 4.7.2

It recommends that enter Sleep Mode before power off the LCD module.

##### 4.7.2 Refreshing The LCD Module

It recommends that the operating modes and display contents be refreshed periodically to prevent the effect of unexpected noise.

## 5. Design and Handling Precaution

1. The LCD panel is made by glass. Any mechanical shock (eg. dropping from high place) will damage the LCD module.
2. Do not add excessive force on the surface of the display, which may cause the Display color change abnormally.
3. The polarizer on the LCD is easily get scratched. If possible, do not remove the LCD protective film until the last step of installation.
4. Never attempt to disassemble or rework the LCD module.
5. Only Clean the LCD with Isopropyl Alcohol or Ethyl Alcohol. Other solvents (eg. water) may damage the LCD.
6. When mounting the LCD module, make sure that it is free from twisting, warping and distortion.
7. Ensure to provide enough space (with cushion) between case and LCD panel to prevent external force adding on it, or it may cause damage to the LCD or degrade the display result.
8. Only hold the LCD module by its side. Never hold LCD module by add force on the heat seal or TAB.
9. Never add force to component of the LCD module. It may cause invisible damage or degrade of the reliability.
10. LCD module could be easily damaged by static electricity. Be careful to maintain an optimum anti-static work environment to protect the LCD module.
11. When peeling off the protective film from LCD, static charge may cause abnormal display pattern. It is normal and will resume to normal in a short while.
12. Take care and prevent get hurt by the LCD panel sharp edge.
13. Never operate the LCD module exceed the absolute maximum ratings.
14. Keep the signal line as short as possible to prevent noisy signal applying to LCD module.
15. Never apply signal to the LCD module without power supply.
16. IC chip (eg. TAB or COG) is sensitive to the light. Strong lighting environment could possibly cause malfunction. Light sealing structure casing is recommend.
17. LCD module reliability may be reduced by temperature shock.
18. When storing the LCD module, avoid exposure to the direct sunlight, high humidity, high temperature or low temperature. They may damage or degrade the LCD module