



# RA8835

## Dot Matrix LCD Controller Specification

Version 2.0

February 12, 2007

RAiO Technology Inc.

©Copyright RAIo Technology Inc. 2005, 2006, 2007

Update History		
Version	Date	Description
1.0	March 23, 2005	Formal Release
1.1	April 28, 2005	Update Package Information: Figure 4-1, 4-2, Chapter 9-3, 9-4.
1.2	May 18, 2005	Update the index of Figure and Table
1.5	July 6, 2005	Add Appendix A: System Suggestion
1.6	November 21, 2005	<ol style="list-style-type: none"> <li>1. Update Figure 7-6: C/R to TC/R Time Difference.</li> <li>2. Update Figure 7-9.</li> <li>3. Update the Notes of Figure7-16</li> <li>4. Update the Unit of "Input leakage current", "Output leakage current" and Quiescent supply current of page76 and page 77.</li> <li>5. Update Note 6 page 78.</li> </ol>
1.7	August 15, 2006	Update Section 9-4 RA8835P4N Package Dimension Update Section 10-2 DC Characteristic Update Parameters of Section 10-3-1, 10-3-2, 10-3-6, 10-3-7 Add Appendix B : RA8835 vs. S1D13305
2.0	February, 12, 2007	<a href="#">Update Section 6-2-1-7 "FX"</a> <a href="#">Update Section 10-3-1 "8080 Family Interface Timing"</a> <a href="#">Update Section 10-3-2 "6800 Family Interface Timing"</a> <a href="#">Update Section 10-3-7 "LCD Output Timing" and Parameters</a>

Chapter	Contents	Pages
<b>1.</b>	<b>Overview</b>	<b>6</b>
<b>2.</b>	<b>Features</b>	<b>6</b>
<b>3.</b>	<b>Block Diagram</b>	<b>6</b>
<b>4.</b>	<b>Package</b>	<b>7</b>
<b>5.</b>	<b>Pin Descriptions</b>	<b>7</b>
	5-1 Pin Functions	7
	5-1-1 MCU Interface	7
	5-1-2 Display Memory Control	8
	5-1-3 LCD Drive Signals	9
	5-1-4 Oscillator and Power	9
	5-2 RA8835 Pin Summary	10
<b>6.</b>	<b>Instruction Set</b>	<b>11</b>
	6-1 The Command Set	11
	6-2 System Control Commands	12
	6-2-1 SYSTEM SET	12
	6-2-2 SLEEP IN	19
	6-3 Display Control Commands	20
	6-3-1 DISP ON/OFF	20
	6-3-2 SCROLL	22
	6-3-3 CSRFORM	26
	6-3-4 CSRDIR	27
	6-3-5 OVLAY	28
	6-3-6 CGRAM ADR	29
	6-3-7 HDOT SCR	30
	6-4 Drawing Control Commands	31
	6-4-1 CSRW	31
	6-4-2 CSRR	31
	6-5 Memory Control Commands	32
	6-5-1 MWRITE	32
	6-5-2 MREAD	32
<b>7.</b>	<b>Functions Description</b>	<b>33</b>
	7-1 MCU Bus Interface	33
	7-1-1 8080 Series	33
	7-1-2 6800 Series	33
	7-2 MCU Synchronization	33
	7-2-1 Display Status Indication Output	33
	7-2-2 Internal Register Access	34
	7-2-3 Display Memory Access	34
	7-3 MCU Interface Examples	35
	7-3-1 Z80 to RA8835 Interface	35

7-3-2 6802 to RA8835 Interface.....	35
<b>7-4 Static RAM .....</b>	<b>36</b>
<b>7-5 Supply Current during Display Memory Access .....</b>	<b>36</b>
<b>7-6 Oscillator Circuit .....</b>	<b>37</b>
<b>7-7 Status Flag.....</b>	<b>37</b>
<b>7-8 Reset .....</b>	<b>39</b>
<b>7-9 Character Configuration .....</b>	<b>39</b>
<b>7-10 Screen Configuration.....</b>	<b>40</b>
7-10-1 Screen Configuration.....	40
7-10-2 Display Address Scanning .....	41
7-10-3 Display Scan Timing .....	43
<b>7-11 Cursor Control.....</b>	<b>44</b>
7-11-1 Cursor Register Function .....	44
7-11-2 Cursor Movement.....	44
7-11-3 Cursor Display Layers .....	44
<b>7-12 Memory to Display Relationship.....</b>	<b>46</b>
<b>7-13 Scrolling.....</b>	<b>49</b>
7-13-1 On-page Scrolling .....	49
7-13-2 Inter-page Scrolling.....	49
7-13-3 Horizontal Scrolling .....	50
7-13-4 Bi-directional Scrolling .....	50
7-13-5 Scroll Units.....	51
<b>7-14 CG Characteristics.....</b>	<b>51</b>
7-14-1 Internal Character Generator .....	51
7-14-2 External Character Generator ROM.....	51
7-14-3 Character Generator RAM .....	51
<b>7-15 CG Memory Allocation.....</b>	<b>52</b>
<b>7-16 Setting Character Generator Address.....</b>	<b>53</b>
7-16-1 M1 = 1.....	53
7-16-2 CG RAM Addressing Example .....	54
<b>7-17 Character Codes .....</b>	<b>55</b>
<b>8. Application Notes .....</b>	<b>56</b>
<b>8-1 Initialization Parameters.....</b>	<b>56</b>
8-1-1 System Set Instruction and Parameters .....	56
8-1-2 Initialization Example.....	58
8-1-3 Display Mode Setting Example 1: combining text and graphics.....	63
8-1-4 Display Mode Setting Example 2: combining graphics and graphics.....	64
8-1-5 Display Mode Setting Example 3: combining three graphics layers .....	65
<b>8-2 System Overview .....</b>	<b>67</b>
<b>8-3 System Interconnection .....</b>	<b>68</b>
8-3-1 System Diagram .....	68
<b>8-4 Smooth Horizontal Scrolling.....</b>	<b>70</b>

---

<b>8-5 Layered Display Attributes</b> .....	<b>71</b>
8-5-1 Inverse Display .....	71
8-5-2 Half-tone Display .....	72
8-5-3 Flashing Area.....	72
<b>8-6 16 x 16-dot Graphic Display</b> .....	<b>73</b>
8-6-1 Command Usage .....	73
8-6-2 Kanji Character Display .....	73
<b>8-7 Internal Character Generator Font</b> .....	<b>75</b>
<b>9. Package Dimensions</b> .....	<b>76</b>
9-1 Die Form .....	76
9-2 XY Coordinate .....	77
9-3 RA8835P3N (Unit: mm) .....	78
9-4 RA8835P4N (Unit: mm) .....	78
<b>10. Specifications</b> .....	<b>79</b>
10-1 Absolute Maximum Ratings .....	79
10-2 DC Characteristic .....	80
10-3 Timing Diagrams .....	82
10-3-1a 8080 Family Interface Timing-1 .....	82
10-3-1b 8080 Family Interface Timing-2.....	83
10-3-2a 6800 Family Interface Timing-1 .....	84
10-3-2b 6800 Family Interface Timing-2.....	85
10-3-3 Display Memory Read Timing .....	86
10-3-4 Display Memory Write Timing .....	87
10-3-5 Sleep In Command Timing .....	88
10-3-6 External Oscillator Signal Timing .....	89
10-3-7 LCD Output Timing .....	90
<b>Appendix A. System Suggestion</b> .....	<b>92</b>
<b>Appendix B. RA8835 vs. S1D13305</b> .....	<b>93</b>

## 1. Overview

The RA8835 is a controller IC that can display text and graphics on LCD panel. It can display layered text and graphics, scroll the display in any direction and partition the display into multiple screens. It also stores text, character codes and bitmapped graphics data in external frame buffer memory. Display controller functions include transferring data from the controlling microprocessor to the buffer memory, reading memory data, converting data to display pixels and generating timing signals for the buffer memory, LCD panel.

The RA8835 has an internal character generator with 160, 5x7 pixel characters in internal mask ROM. The character generators support up to 64, 8x16 pixel characters in external character generator RAM and up to 256, 8x16 pixel characters in external character generator ROM.

## 2. Features

- ◆ Text, graphics and combined text/graphics display modes
- ◆ Three overlapping screens in graphics mode
- ◆ Up to 640x256 pixel LCD panel display resolution
- ◆ Programmable cursor control
- ◆ Smooth horizontal and vertical scrolling of all or part of the display
- ◆ 1/2-duty to 1/256-duty LCD drive
- ◆ Up to 640x256 pixel LCD panel display resolution memory
- ◆ 160, 5x7 pixel characters in internal mask-programmed character generator ROM
- ◆ Up to 64, 8x16 pixel characters in external character generator RAM
- ◆ Up to 256, 8x16 pixel characters in external character generator ROM
- ◆ 6800 and 8080 family microprocessor interfaces
- ◆ Low power consumption: 3.5mA operating current ( $V_{DD} = 3.5V$ ), 0.05 $\mu A$  standby current
- ◆ Package:
  - RA8835P3N: QFP-60 pin (Lead Free)
  - RA8835P4N: TQFP-60 pin (Lead Free)
- ◆ Power: 2.7 to 5.5 V

## 3. Block Diagram

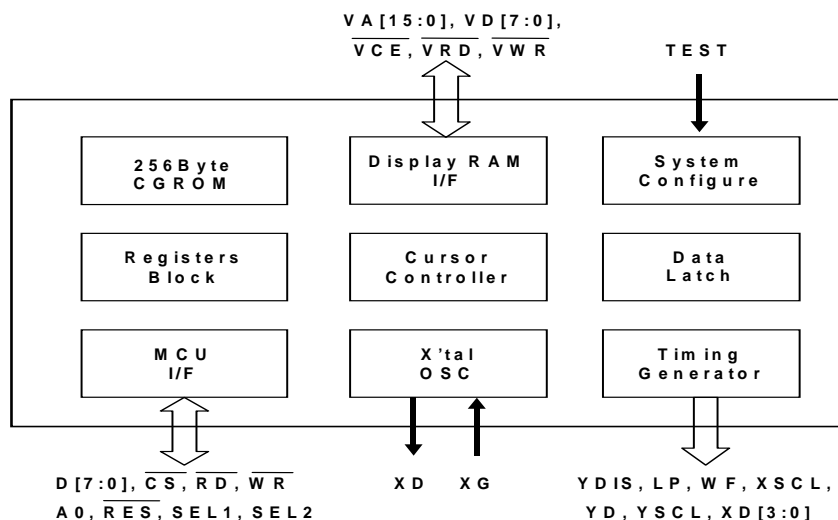


Figure 3-1: Block Diagram

## 4. Package

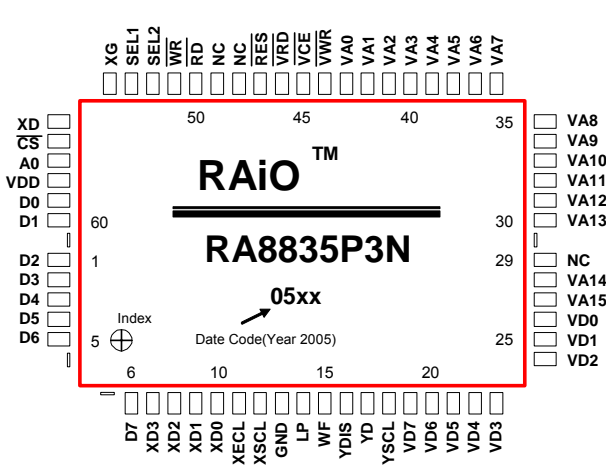


Figure 4-1: RA8835P3N(QFP-60 Pin)

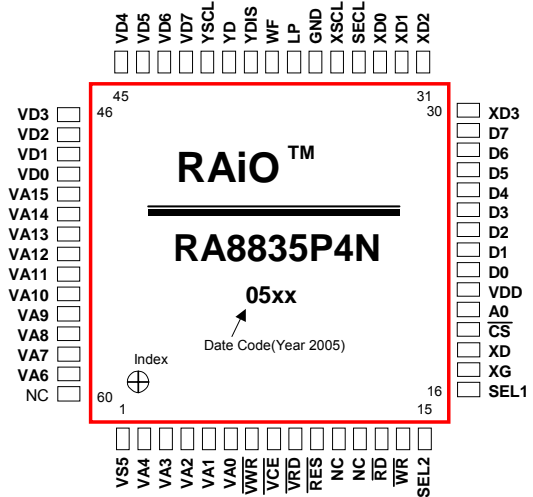


Figure 4-2: RA8835P4N (TQFP-60 Pin)

## 5. Pin Descriptions

### 5-1 Pin Functions

#### 5-1-1 MCU Interface

Pin Name	Function																					
D0 to D7	<b>MCU Data Bus.</b> Tristate input/output pins. Connect these pins to an 8- or 16-bit microprocessor bus.																					
SEL1, SEL2	<b>MCU Interface Select.</b> The RA8835 series supports both 8080 family processors (such as the 8085 and Z80®) and 6800 family processors (such as the 6802 and 6809). <table border="1" style="margin: 10px auto;"> <thead> <tr> <th>SEL1</th> <th>SEL2*</th> <th>Interface</th> <th>A0</th> <th>RD</th> <th>WR</th> <th>CS</th> </tr> </thead> <tbody> <tr> <td>0</td> <td>0</td> <td>8080 family</td> <td>A0</td> <td>RD</td> <td>WR</td> <td>CS</td> </tr> <tr> <td>1</td> <td>0</td> <td>6800 family</td> <td>A0</td> <td>E</td> <td>R/W</td> <td>CS</td> </tr> </tbody> </table> SEL1 should be tied directly to VDD or VSS to prevent noise. If noise does appear on SEL1, decouple it to ground using a capacitor placed as close to the pin as possible.	SEL1	SEL2*	Interface	A0	RD	WR	CS	0	0	8080 family	A0	RD	WR	CS	1	0	6800 family	A0	E	R/W	CS
SEL1	SEL2*	Interface	A0	RD	WR	CS																
0	0	8080 family	A0	RD	WR	CS																
1	0	6800 family	A0	E	R/W	CS																
RD or E	<b>Read Control or Enable.</b> When the 8080 family interface is selected, this signal acts as the active-LOW read strobe. The RA8835 series output buffers are enabled when this signal is active. When the 6800 family interface is selected, this signal acts as the active-HIGH enable clock. Data is read from or written to the RA8835 series when this clock goes HIGH.																					

$\overline{WR}$ or $\overline{R/W}$	<p><b>Write Control or Read/Write Control.</b> When the 8080 family interface is selected, this signal acts as the active-LOW write strobe. The bus data is latched on the rising edge of this signal. When the 6800 family interface is selected, this signal acts as the read/write control signal. Data is read from the RA8835 series if this signal is HIGH, and written to the RA8835 series if it is LOW.</p>																																								
$\overline{CS}$	<p><b>Chip Select.</b> This active-LOW input enables the RA8835 series. It is usually connected to the output of an address decoder device that maps the RA8835 series into the memory space of the controlling microprocessor.</p>																																								
A0	<p><b>Command/Data Select.</b> 8080 Family Interface:</p> <table border="1" style="margin-left: auto; margin-right: auto;"> <thead> <tr> <th>A0</th> <th><math>\overline{RD}</math></th> <th><math>\overline{WR}</math></th> <th>Function</th> </tr> </thead> <tbody> <tr> <td>0</td> <td>0</td> <td>1</td> <td>Status flag read</td> </tr> <tr> <td>1</td> <td>0</td> <td>1</td> <td>Display data and cursor address read</td> </tr> <tr> <td>0</td> <td>1</td> <td>0</td> <td>Display data and parameter write</td> </tr> <tr> <td>1</td> <td>1</td> <td>0</td> <td>Command write</td> </tr> </tbody> </table> <p>6800 Family Interface:</p> <table border="1" style="margin-left: auto; margin-right: auto;"> <thead> <tr> <th>A0</th> <th><math>\overline{R/W}</math></th> <th>E</th> <th>Function</th> </tr> </thead> <tbody> <tr> <td>0</td> <td>1</td> <td>1</td> <td>Status flag read</td> </tr> <tr> <td>1</td> <td>1</td> <td>1</td> <td>Display data and cursor address read</td> </tr> <tr> <td>0</td> <td>0</td> <td>1</td> <td>Display data and parameter write</td> </tr> <tr> <td>1</td> <td>0</td> <td>1</td> <td>Command write</td> </tr> </tbody> </table>	A0	$\overline{RD}$	$\overline{WR}$	Function	0	0	1	Status flag read	1	0	1	Display data and cursor address read	0	1	0	Display data and parameter write	1	1	0	Command write	A0	$\overline{R/W}$	E	Function	0	1	1	Status flag read	1	1	1	Display data and cursor address read	0	0	1	Display data and parameter write	1	0	1	Command write
A0	$\overline{RD}$	$\overline{WR}$	Function																																						
0	0	1	Status flag read																																						
1	0	1	Display data and cursor address read																																						
0	1	0	Display data and parameter write																																						
1	1	0	Command write																																						
A0	$\overline{R/W}$	E	Function																																						
0	1	1	Status flag read																																						
1	1	1	Display data and cursor address read																																						
0	0	1	Display data and parameter write																																						
1	0	1	Command write																																						
$\overline{RES}$	<p><b>Hardware Reset.</b> This active-LOW input performs a hardware reset on the RA8835 series. It is an Schmitt-trigger input for enhanced noise immunity; however, care should be taken to ensure that it is not triggered if the supply voltage is lowered.</p>																																								

### 5-1-2 Display Memory Control

The RA8835 series can directly access static RAM and PROM. The designer may use a mixture of these two types of memory to achieve an optimum trade-off between low cost and low power consumption.

Pin Name	Function
VA0 to VA15	<b>16-bit Display Memory Address.</b> When accessing character generator RAM or ROM, VA0 to VA3, reflect the lower 4 bits of the RA8835 series' row counter.
VD0 to VD7	<b>Display Memory Data Bus.</b> 8-bit tristate display memory data bus. These pins are enabled when $\overline{VR/W}$ is LOW.
$\overline{VWR}$	<b>Display Memory Write Control.</b> Active-LOW display memory write control output.
$\overline{VRD}$	<b>Display Memory Read Control.</b> Active-LOW display memory read control output.
$\overline{VCE}$	<b>Display Memory Chip Select.</b> Active-LOW static memory standby control signal. $\overline{VCE}$ can be used with $\overline{CS}$ .



### 5-1-3 LCD Drive Signals

In order to provide effective low-power drive for LCD matrixes, the RA8835 series can directly control both the X- and Y-drivers using an enable chain.

Pin Name	Function
XD0 to XD3	<b>Data Output for Driver.</b> 4-bit X-driver (column drive) data outputs. Connect these outputs to the inputs of the X-driver chips.
XSCL	<b>Latch Clock.</b> The falling edge of XSCL latches the data on XD0 to XD3 into the input shift registers of the X-drivers. To conserve power, this clock halts between LP and the start of the following display line (See section 6-3-7).
XECL	<b>Trigger Clock for Chain Cascade.</b> The falling edge of XECL triggers the enable chain cascade for the X-drivers. Every 16th clock pulse is output to the next X-driver.
LP	<b>Latch Pulse.</b> LP latches the signal in the X-driver shift registers into the output data latches. LP is a falling-edge triggered signal, and pulses once every display line. Connect LP to the Y-driver shift clock on modules.
WF	<b>AC Drive Output.</b> The WF period is selected to be one of two values with SYSTEM SET command.
YSCL	<b>Latch Clock for YD.</b> The falling edge of YSCL latches the data on YD into the input shift registers of the Y-drivers. YSCL is not used with driver ICs that use LP as the Y-driver shift clock.
YD	<b>Data Pulse Output for Y Drivers.</b> It is active during the last line of each frame, and is shifted through the Y drivers one by one (by YSCL), to scan the display's common connections.
YDIS	<b>Power-down Output Signal.</b> YDIS is HIGH while the display drive outputs are active. YDIS goes LOW one or two frames after the sleep command is written to the RA8835 series. All Y-driver outputs are forced to an intermediate level (de-selecting the display segments) to blank the display. In order to implement power-down operation in the LCD unit, the LCD power drive supplies must also be disabled when the display is disabled by YDIS.

### 5-1-4 Oscillator and Power

Pin Name	Function
XG	<b>Crystal Connection for Internal Oscillator</b> This pin can be driven by an external clock source that satisfies the timing specifications of the EXT f0 signal (See section 7-3-6).
XD	<b>Crystal Connection for Internal Oscillator</b> Leave this pin open when using an external clock source.
VDD	<b>2.7 to 5.5V Supply.</b> This may be the same supply as the controlling microprocessor.
GND	<b>Ground</b>

**Note:** The peak supply current drawn by the RA8835 series may be up to ten times the average supply current. The power supply impedance must be kept as low as possible by ensuring that supply lines are sufficiently wide and by placing 0.47μF decoupling capacitors that have good high-frequency response near the device's supply pins.

**5-2 RA8835 Pin Summary**

Name	Number		Type	Description
	RA8835P3N	RA8835P4N		
VA0 to VA15	27 to 28 30 to 43	1 to 6 50 to 59	Output	VRAM address bus
$\overline{\text{VWR}}$	44	7	Output	VRAM write signal
$\overline{\text{VCE}}$	45	8	Output	Memory control signal
$\overline{\text{VRD}}$	46	9	Output	VRAM read signal
$\overline{\text{RES}}$	47	10	Input	Reset
NC	28, 48, 49	11, 12, 60	—	No connection
$\overline{\text{RD}}$	50	13	Input	8080 family: Read signal 6800 family: Enable clock (E)
$\overline{\text{WR}}$	51	14	Input	8080 family: Write signal 6800 family: R/W signal
SEL2	52	15	Input	8080 or 6800 family interface select
SEL1	53	16	Input	8080 or 6800 family interface select
XG	54	17	Input	Oscillator connection
XD	55	18	Output	Oscillator connection
$\overline{\text{CS}}$	56	19	Input	Chip select
A0	57	20	Input	Data type select
VDD	58	21	Supply	2.7 to 5.5V supply
D0 to D7	59 to 60 1 to 6	22 to 29	Input/output	Data bus
XD0 to XD3	7 to 10	30 to 33	Output	X-driver data
XECL	11	34	Output	X-driver enable chain clock
XSCL	12	35	Output	X-driver data shift clock
VSS	13	36	Supply	Ground
LP	14	37	Output	Latch pulse
WF	15	38	Output	Frame signal
YDIS	16	39	Output	Power-down signal when display is blanked
YD	17	40	Output	Scan start pulse
YSCL	18	41	Output	Y-driver shift clock
VD0 to VD7	19 to 26	42 to 49	Input/output	VRAM data bus

## 6. Instruction Set

### 6-1 The Command Set

Table-1: Command Set

Class	Command	Code											Hex	Command Description	Command Read Parameters	
		RD	WR	A0	D7	D6	D5	D4	D3	D2	D1	D0			No. of Bytes	Section
System Control	<b>SYSTEM SET</b>	1	0	1	0	1	0	0	0	0	0	0	40	Initialize device and display	8	9-2-1
	<b>SLEEP IN</b>	1	0	1	0	1	0	1	0	0	1	1	53	Enter standby mode	0	9-2-2
Display Control	<b>DISPLAY ON/OFF</b>	1	0	1	0	1	0	1	1	0	0	D	58, 59	Enable and disable display and display flashing	1	9-3-1
	<b>SCROLL</b>	1	0	1	0	1	0	0	0	1	0	0	44	Set display start address and display regions	10	9-3-2
	<b>CSRFORM</b>	1	0	1	0	1	0	1	1	1	0	1	5D	Set cursor type	2	9-3-3
	<b>CGRAM ADR</b>	1	0	1	0	1	0	1	1	1	0	0	5C	Set start address of character generator RAM	2	9-3-6
	<b>CSRDIR</b>	1	0	1	0	1	0	0	1	1	CD 1	CD 0	4C to 4F	Set direction of cursor movement	0	9-3-4
	<b>HDOT SCR</b>	1	0	1	0	1	0	1	1	0	1	0	5A	Set horizontal scroll position	1	9-3-7
	<b>OVLAY</b>	1	0	1	0	1	0	1	1	0	1	1	5B	Set display overlay format	1	9-3-5
Drawing Control	<b>CSRW</b>	1	0	1	0	1	0	0	0	1	1	0	46	Set cursor address	2	9-r1
	<b>CSRR</b>	1	0	1	0	1	0	0	0	1	1	1	47	Read cursor address	2	9-4-2
Memory Control	<b>MWRITE</b>	1	0	1	0	1	0	0	0	0	1	0	42	Write to display memory	—	9-5-1
	<b>MREAD</b>	1	0	1	0	1	0	0	0	0	1	1	43	Read from display memory	—	9-5-2

**Notes:**

1. In general, the internal registers of the RA8835 series are modified as each command parameter is input. However, the microprocessor does not have to set all the parameters of a command and may send a new command before all parameters have been input. The internal registers for the parameters that have been input will have been changed but the remaining parameter registers are unchanged. 2-byte parameters (where two bytes are treated as 1 data item) are handled as follows:

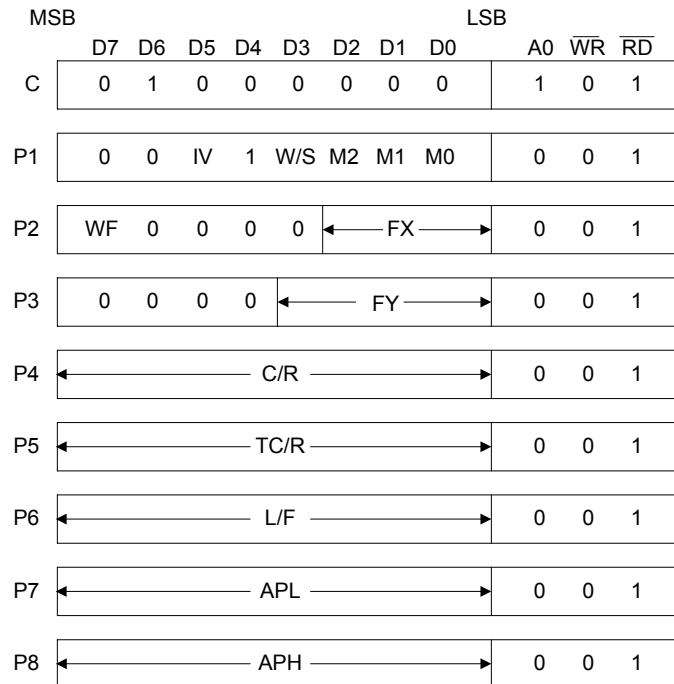
- a. CSRW, CSRR: Each byte is processed individually. The microprocessor may read or write just the low byte of the cursor address.
- b. SYSTEM SET, SCROLL, CGRAM ADR: Both parameter bytes are processed together. If the command is changed after half of the parameter has been input, the single byte is ignored.

2. APL and APH are 2-byte parameters, but are treated as two 1-byte parameters.

## 6-2 System Control Commands

### 6-2-1 SYSTEM SET

Initializes the device, sets the window sizes, and selects the LCD interface format. Since this command sets the basic operating parameters of the RA8835 series, an incorrect SYSTEM SET command may cause other commands to operate incorrectly.



**Figure 6-1: SYSTEM SET Instruction**

#### 6-2-1-1 C

This control byte performs the following:

1. Resets the internal timing generator
2. Disables the display
3. Cancels sleep mode

Parameters following P1 are not needed if only canceling sleep mode.

#### 6-2-1-2 M0

Select the internal or external character generator ROM. The internal character generator ROM contains 160, 5 X 7 pixel characters, as shown in Figure 8-14. These characters are fixed at fabrication by the metallization mask.

The external character generator ROM, on the other hand, can contain up to 256 user-defined characters.

M0 = 0: Internal CG ROM

M0 = 1: External CG ROM

Note that if the CG ROM address space overlaps the display memory address space, that portion of the display memory cannot be written to.

**6-2-1-3 M1**

Select the memory configuration for user-definable characters. The CG RAM codes select one of the 64 codes shown in figure 7-29.

M1 = 0: No D6 correction.

The CG RAM1 and CG RAM2 address spaces are not contiguous, the CG RAM1 address space is treated as character generator RAM, and the CG RAM2 address space is treated as character generator ROM.

M1 = 1: D6 correction.

The CG RAM1 and CG RAM2 address spaces are contiguous and are both treated as character generator RAM.

**6-2-1-4 M2**

Select the height of the character bitmaps. Characters more than 16 pixels high can be displayed by creating a bitmap for each portion of each character and using the RA8835 series graphics mode to reposition them.

M2 = 0: 8-pixel character height (2716 or equivalent ROM)

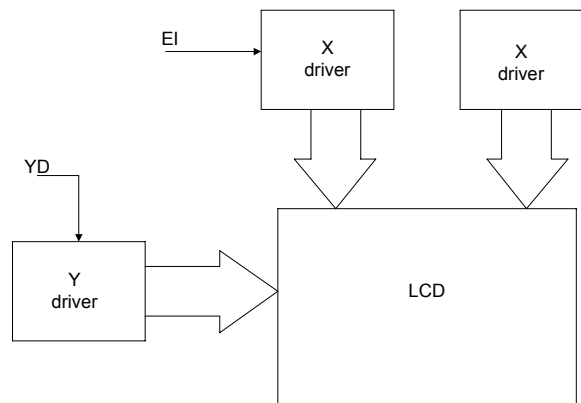
M2 = 1: 16-pixel character height (2732 or equivalent ROM)

**6-2-1-5 W/S**

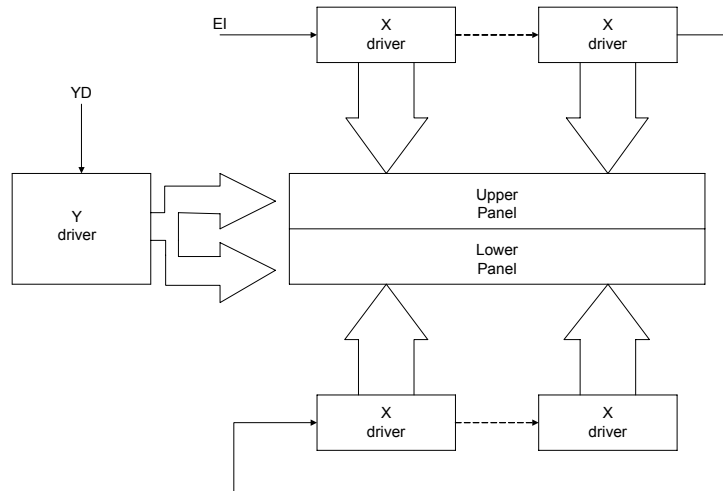
Select the LCD drive method.

W/S = 0: Single-panel drive

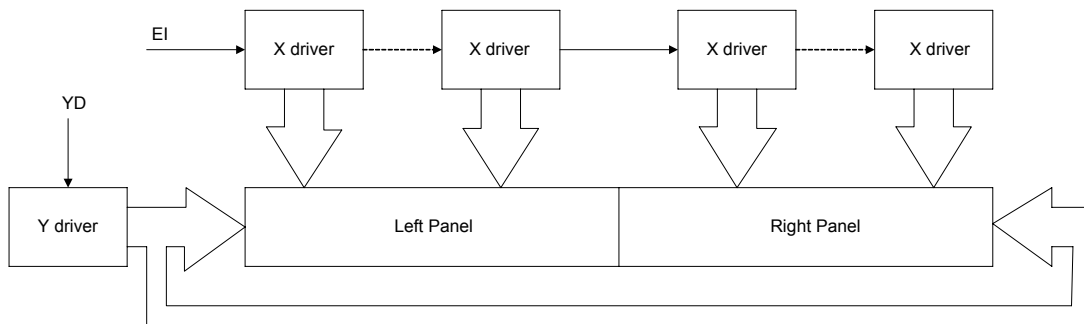
W/S = 1: Dual-panel drive



**Figure 6-2: Single-panel Display**



**Figure 6-3: Above and Below Two-panel Display**



**Figure 6-4: Left-and-Right Two-panel Display**

**Note:**

There are no RAiO LCD units in the configuration shown in Figure 6-4.

**Table-2: LCD Parameters**

Parameter	W/S = 0		W/S = 1	
	IV = 1	IV = 0	IV = 1	IV = 0
C/R	C/R	C/R	C/R	C/R
TC/R	TC/R	TC/R (See note 1.)	TC/R	TC/R
L/F	L/F	L/F	L/F	L/F
SL1	00H to L/F	00H to L/F + 1 (See note 2.)	(L/F) / 2	(L/F) / 2
SL2	00H to L/F	00H to L/F + 1 (See note 2.)	(L/F) / 2	(L/F) / 2
SAD1	First screen block	First screen block	First screen block	First screen block
SAD2	Second screen block	Second screen block	Second screen block	Second screen block
SAD3	Third screen block	Third screen block	Third screen block	Third screen block
SAD4	Invalid	Invalid	Fourth screen block	Fourth screen block
Cursor movement range	Continuous movement over whole screen		Above-and-below configuration: continuous movement over whole screen	

**Notes:**

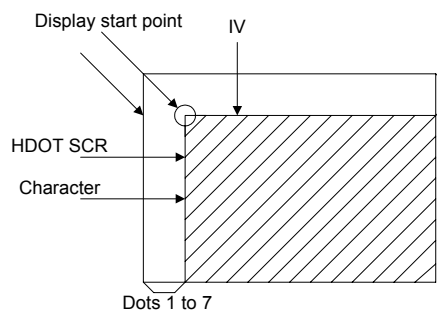
1. See Table-24 for further details on setting the C/R and TC/R parameters when using
2. The value of SL when IV = 0 is equal to the value of SL when IV = 1, plus one.

**6-2-1-6 IV**

Screen origin compensation for inverse display. IV is usually set to 1. The best way of displaying inverted characters is to Exclusive-OR the text layer with the graphics background layer. However, inverted characters at the top or left of the screen are difficult to read as the character origin is at the top-left of its bitmap and there are no background pixels either above or to the left of these characters.

The IV flag causes the RA8835 series to offset the text screen against the graphics back layer by one vertical pixel. Use the horizontal pixel scroll function (HDOT SCR) to shift the text screen 1 to 7 pixels to the right. All characters will then have the necessary surrounding background pixels that ensure easy reading of the inverted characters. See Section 11-5 for information on scrolling.

- IV = 0: Screen top-line correction
- IV = 1: No screen top-line correction



**Figure 6-5: IV and HDOT SCR Adjustment**

**6-2-1-7 FX**

Define the horizontal character size. The character width in pixels is equal to FX + 1, where FX can range from 00 to 07H inclusive. In RA8835, the [FX] character width(pixels) is from 1~8 only. The data bit 3 is reserved.

**Table-3: Horizontal Character Size Selection**

HEX	FX				[FX] character width (pixels)
	D 3	D 2	D 1	D 0	
00	0	0	0	0	1
01	0	0	0	1	2
↓	↓	↓	↓	↓	↓
07	0	1	1	1	8

**6-2-1-8 WF**

Select the AC frame drive waveform period. WF is usually set to 1.

WF = 0: 16-line AC drive

WF = 1: two-frame AC drive

In two-frame AC drive, the WF period is twice the frame period.

In 16-line AC drive, WF inverts every 16 lines.

Although 16-line AC drive gives a more readable display, horizontal lines may appear when using high LCD drive voltages or at high viewing angles.

**6-2-1-9 FY**

Set the vertical character size. The height in pixels is equal to FY + 1. FY can range from 00 to 0FH inclusive. Set FY to zero (vertical size equals one) when in graphics mode.

**Table-4: Vertical Character Size Selection**

HEX	FY				[FY] character height (pixels)
	D 3	D 2	D 1	D 0	
00	0	0	0	0	1
01	0	0	0	1	2
↓	↓	↓	↓	↓	↓
07	0	1	1	1	8
↓	↓	↓	↓	↓	↓
0E	1	1	1	0	15
0F	1	1	1	1	16



**6-2-1-10 C/R**

Set the address range covered by one display line, that is, the number of characters less one, multiplied by the number of horizontal bytes per character. C/R can range from 0 to 239.

For example, if the character width is 10 pixels, then the address range is equal to twice the number of characters, less 2. See Section 17-1-1 for the calculation of C/R. [C/R] cannot be set to a value greater than the address range. It can, however, be set smaller than the address range, in which case the excess display area is blank. The number of excess pixels must not exceed 64.

**Table-5: Display Line Address Range**

C/R									[C/R] bytes per display line
HEX	D7	D6	D5	D4	D3	D2	D1	D0	
00	0	0	0	0	0	0	0	0	1
01	0	0	0	0	0	0	0	1	2
↓	↓	↓	↓	↓	↓	↓	↓	↓	↓
4F	0	1	0	0	1	1	1	1	80
↓	↓	↓	↓	↓	↓	↓	↓	↓	↓
EE	1	1	1	0	1	1	1	0	239
EF	1	1	1	0	1	1	1	1	240

**6-2-1-11 C/R**

Set the length, including horizontal blanking, of one line. The line length is equal to TC/R + 1, where TC/R can range from 0 to 255. TC/R must be greater than or equal to C/R + 4. Provided this condition is satisfied, [TC/R] can be set according to the equation given in section 17-1-1 in order to hold the frame period constant and minimize jitter for any given main oscillator frequency,  $f_{osc}$ .

**Table-6: Line Length Selection**

TC/R									[TC/R] line length (bytes)
HEX	D7	D6	D5	D4	D3	D2	D1	D0	
00	0	0	0	0	0	0	0	0	1
01	0	0	0	0	0	0	0	1	2
↓	↓	↓	↓	↓	↓	↓	↓	↓	↓
52	0	1	0	1	0	0	1	0	83
↓	↓	↓	↓	↓	↓	↓	↓	↓	↓
FE	1	1	1	1	1	1	1	0	255
FF	1	1	1	1	1	1	1	1	256

**6-2-1-12 L/F**

Set the height, in lines, of a frame. The height in lines is equal to L/F + 1, where L/F can range from 0 to 255.

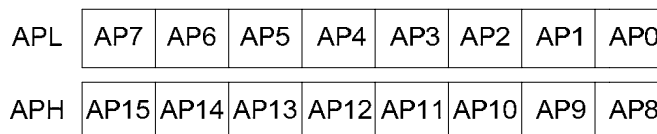
**Table-7: Frame Height Selection**

L/F									[L/F] lines per frame
HEX	D7	D6	D5	D4	D3	D2	D1	D0	
00	0	0	0	0	0	0	0	0	1
01	0	0	0	0	0	0	0	1	2
↓	↓	↓	↓	↓	↓	↓	↓	↓	↓
7F	0	1	1	1	1	1	1	1	128
↓	↓	↓	↓	↓	↓	↓	↓	↓	↓
FE	1	1	1	1	1	1	1	0	255
FF	1	1	1	1	1	1	1	1	256

If W/S is set to 1, selecting two-screen display, the number of lines must be even and L/F must, therefore, be an odd number.

**6-2-1-13 AP**

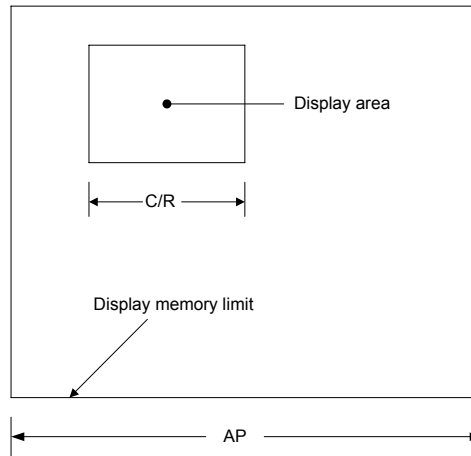
Define the horizontal address range of the virtual screen. APL is the least significant byte of the address.



**Figure 6-7: AP Parameters**

**Table-8: Horizontal Address Range**

Hex code				[AP] addresses per line
APH	APL			
0	0	0	0	0
0	0	0	1	1
↓	↓	↓	↓	↓
0	0	5	0	80
↓	↓	↓	↓	↓
F	F	F	E	$2^{16} - 2$
F	F	F	F	$2^{16} - 1$

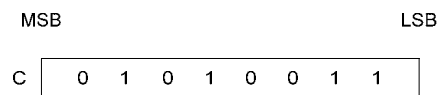


**Figure 6-8: AP and C/R Relationship**

**6-2-2 SLEEP IN**

Place the system in standby mode. This command has no parameter bytes. At least one blank frame after receiving this command, the RA8835 halts all internal operations, including the oscillator, and enters the sleep state.

Blank data is sent to the X-drivers, and the Y-drivers have their bias supplies turned off by the YDIS signal. Using the YDIS signal to disable the Y-drivers guards against any spurious displays. The internal registers of the RA8835 series maintain their values during the sleep state. The display memory control pins maintain their logic levels to ensure that the display memory is not corrupted. The RA8835 series can be removed from the sleep state by sending the SYSTEM SET command with only the P1 parameter. The DISP ON command should be sent next to enable the display.



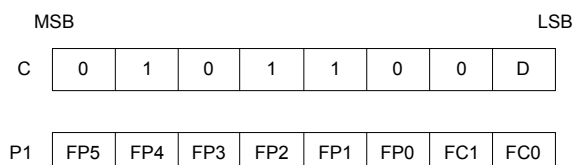
**Figure 6-9: SLEEP IN Instruction**

1. The YDIS signal goes LOW between one and two frames after the SLEEP IN command is received. Since YDIS forces all display driver outputs to go to the deselected output voltage, YDIS can be used as a power-down signal for the LCD unit. This can be done by having YDIS turn off the relatively high power LCD drive supplies at the same time as it blanks the display.
2. Since all internal clocks in the RA8835 series are halted while in the sleep state, a DC voltage will be applied to the LCD panel if the LCD drive supplies remain on. If reliability is a prime consideration, turn off the LCD drive supplies before issuing the SLEEP IN command.
3. Note that, although the bus lines become high impedance in the sleep state, pull-up or pull-down resistors on the bus will force these lines to a known state.

### 6-3 Display Control Commands

#### 6-3-1 DISP ON/OFF

Turn the whole display on or off. The single-byte parameter enables and disables the cursor and layered screens, and sets the cursor and screen flash rates. The cursor can be set to flash over one character or over a whole line.



**Figure 6-10: DISP ON/OFF Parameters**

##### 6-3-1-1 D

Turn the display ON or OFF. The D bit takes precedence over the FP bits in the parameter.

D = 0: Display OFF

D = 1: Display ON

##### 6-3-1-2 FC

Enables/disables the cursor and sets the flash rate. The cursor flashes with a 70% duty cycle (ON/OFF).

**Table-9: Cursor Flash Rate Selection**

FC1	FC0	Cursor display	
0	0	OFF (blank)	
0	1	ON	No flashing
1	0		Flash at $f_{FR}/32$ Hz (approx. 2 Hz)
1	1		Flash at $f_{FR}/64$ Hz (approx. 1 Hz)

**Note:** As the MWRITE command always enables the cursor, the cursor position can be checked even when performing consecutive writes to display memory while the cursor is flashing.

**6-3-1-3 FP**

Each pair of bits in FP sets the attributes of one screen block, as follows. The display attributes are as follows:

**Table-10: Screen Block Attribute Selection**

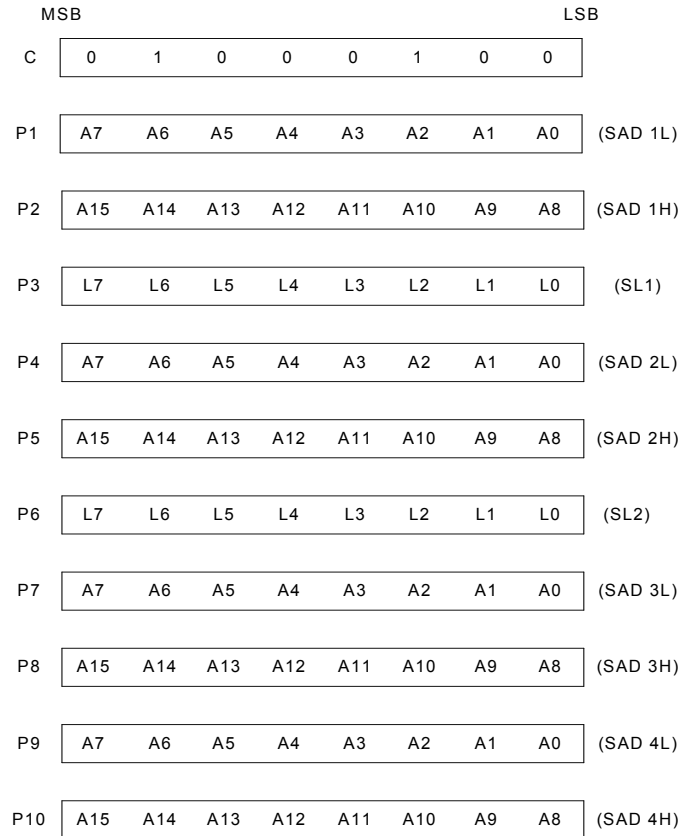
FP1	FP0	First screen block (SAD1)	
FP3	FP2	Second screen block (SAD2, SAD4). See note.	
FP5	FP4	Third screen block (SAD3)	
0	0	OFF (blank)	
0	1	ON	No flashing
1	0		Flash at $f_{FR}/32$ Hz (approx. 2 Hz)
1	1		Flash at $f_{FR}/4$ Hz (approx. 16 Hz)

**Note:** If SAD4 is enabled by setting W/S to 1, FP3 and FP2 control both SAD2 and SAD4. The attributes of SAD2 and SAD4 cannot be set independently.

**6-3-2 SCROLL**

**6-3-2-1 C**

Set the scroll start address and the number of lines per scroll block. Parameters P1 to P10 can be omitted if not required. The parameters must be entered sequentially as shown in Figure 6-11.



**Figure 6-11: SCROLL Instruction Parameters**

**Note:** Set parameters P9 and P10 only if both two-screen drive (W/S = 1) and two-layer configuration are selected. SAD4 is the fourth screen block display start address.

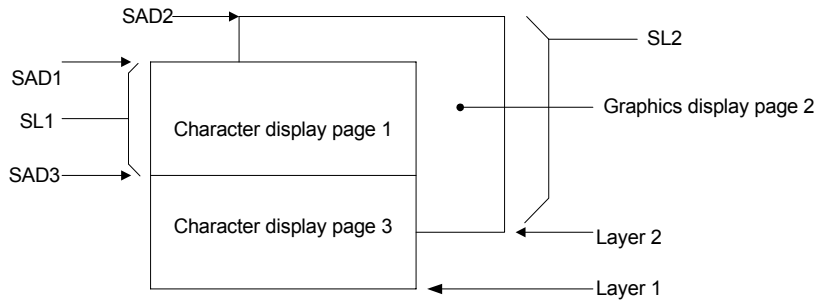
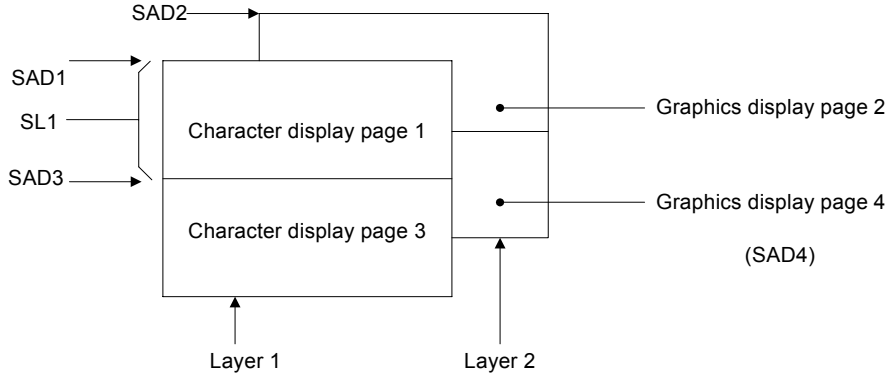
**Table-11: Screen Block Start Address Selection**

HEX	SL1, SL2								[SL] screen lines
	L7	L6	L5	L4	L3	L2	L1	L0	
00	0	0	0	0	0	0	0	0	1
01	0	0	0	0	0	0	0	1	2
↓	↓	↓	↓	↓	↓	↓	↓	↓	↓
7F	0	1	1	1	1	1	1	1	128
↓	↓	↓	↓	↓	↓	↓	↓	↓	↓
FE	1	1	1	1	1	1	1	0	255
FF	1	1	1	1	1	1	1	1	256

**6-3-2-2 SL1, SL2**

SL1 and SL2 set the number of lines per scrolling screen. The number of lines is SL1 or SL2 plus one. The relationship between SAD, SL and the display mode is described below.

**Table-12: Text Display Mode**

W/S	Screen	First Layer	Second Layer	
0	First screen block	SAD1	SAD2	
	Second screen block	SL1	SL2	
	Third screen block (partitioned screen)	SAD3 (see note 1) Set both SL1 and SL2 to L/F + 1 if not using a partitioned screen.		
	Screen configuration example: 			
1	Upper screen	SAD1 SL1	SAD2 SL2	
	Lower screen	SAD3 (See note 2)	SAD4 (See note 2)	
	Set both SL1 and SL2 to ((L/F) / 2 + 1)			
	Screen configuration example: 			

**Notes:**

1. SAD3 has the same value as either SAD1 or SAD2, whichever has the least number of lines (set by SL1 and SL2).
2. Since the parameters corresponding to SL3 and SL4 are fixed by L/F, they do not have to be set in this mode.

**Table-13: Graphics Display Mode**

W/S	Screen	First Layer	Second Layer	Third Layer
0	Two-layer composition	SAD1 SL1	SAD2 SL2	—
	Upper screen	SAD3 (see note 3) Set both SL1 and SL2 to L/F + 1 if not using a partitioned screen		—
	Screen configuration example:			
0	Screen configuration example:			
0	Three-layer configuration	SAD1 SL1 = L/F + 1	SAD2 SL1 = L/F + 1	SAD3 —
	Screen configuration example:			
0	Screen configuration example:			

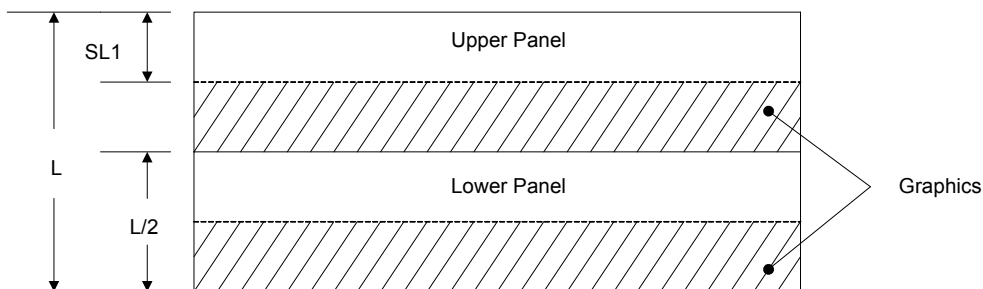


**Table-13: Graphics Display Mode (continued)**

W/S	Screen	First Layer	Second Layer	Third Layer
1	Upper screen	SAD1 SL1	SAD2 SL2	—
	Lower screen	SAD3 (See note 2)	SAD4 (See note 2)	—
	Screen configuration example (See note 3):			
<p>The diagram illustrates a screen configuration example. It shows a central rectangular area divided into two horizontal sections: 'Graphics display page 1' on top and 'Graphics display page 3' on the bottom. To the left of this area, three arrows labeled 'SAD1', 'SL1', and 'SAD3' point to the left edge of the top section. To the right, two arrows labeled 'SAD2' and 'SAD4' point to the right edge of the top section. Below the diagram, two arrows labeled 'Layer 1' and 'Layer 2' point upwards to the bottom edge of the top and bottom sections respectively. To the right of the diagram, two arrows labeled 'Graphics display page 2' and 'Graphics display page 4' point to the right edge of the top and bottom sections respectively.</p>				

**Notes:**

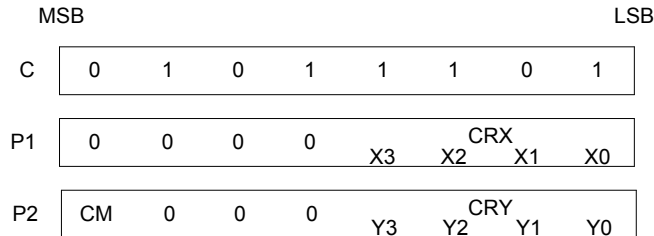
1. SAD3 has the same value as either SAD1 or SAD2; whichever has the least number of lines (set by SL1 and SL2).
2. Since the parameters corresponding to SL3 and SL4 are fixed by L/F, they do not have to be set.
3. If, and only if,  $W/S = 1$ , the differences between SL1 and  $(L/F + 1) / 2$ , and between SL2 and  $(L/F + 1) / 2$ , are blanked.



**Figure 6-12: Two-panel Display Height**

**6-3-3 CSRFORM**

Set the cursor size and shape. Although the cursor is normally only used in text displays, it may also be used in graphics displays when displaying special characters.



**Figure 6-13: CSRFORM Parameter Bytes**

**6-3-3-1 CRX**

Set the horizontal size of the cursor from the character origin. CRX is equal to the cursor size less one. CRX must be less than or equal to FX.

**Table-14: Horizontal Cursor Size Selection**

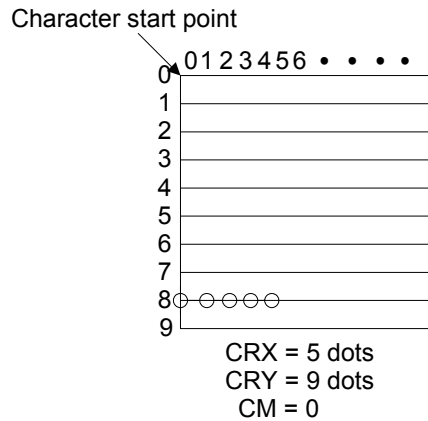
HEX	CRX				[CRX] cursor width (pixels)
	X3	X2	X1	X0	
0	0	0	0	0	1
1	0	0	0	1	2
↓	↓	↓	↓	↓	↓
4	0	1	0	0	9
↓	↓	↓	↓	↓	↓
E	1	1	1	0	15
F	1	1	1	1	16

**6-3-3-2 CRY**

Set the location of an underscored cursor in lines, from the character origin. When using a block cursor, CRY sets the vertical size of the cursor from the character origin. CRY is equal to the number of lines less one.

**Table-15: Cursor Height Selection**

HEX	CRY				[CRY] cursor height (lines)
	Y3	Y2	Y1	Y0	
0	0	0	0	0	Illegal
1	0	0	0	1	2
↓	↓	↓	↓	↓	↓
8	1	0	0	0	9
↓	↓	↓	↓	↓	↓
E	1	1	1	0	15
F	1	1	1	1	16



**Figure 6-14: Cursor Size and Position**

**6-3-3-3 CM**

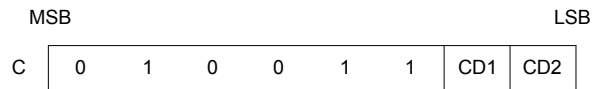
Set the cursor shape. Always set CM to 1 when in graphics mode.

CM = 0: Underscore cursor

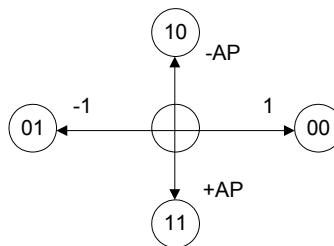
CM = 1: Block cursor

**6-3-4 CSRDIR**

Set the direction of automatic cursor increment. The cursor can move left or right one character, or up or down by the number of bytes specified by the address pitch, AP. When reading from and writing to display memory, this automatic cursor increment controls the display memory address increment on each read or write.



**Figure 6-15: CSRDIR Parameters**



**Figure 6-16: Cursor Direction**

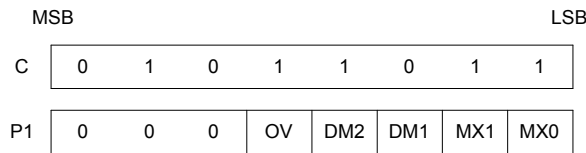
**Table-16: Cursor Shift Direction**

C	CD1	CD0	Shift direction
4CH	0	0	Right
4DH	0	1	Left
4EH	1	0	Up
4FH	1	1	Down

**Note:** Since the cursor moves in address units even if  $FX \geq 9$ , the cursor address increment must be preset for movement in character units. See Section 10-3.

### 6-3-5 OVLAY

Selects layered screen composition and screen text/ graphics mode.



**Figure 6-17: OVLAY Parameters**

#### 6-3-5-1 MX0, MX1

MX0 and MX1 set the layered screen composition method, which can be either OR, AND, Exclusive-OR or Priority-OR. Since the screen composition is organized in layers and not by screen blocks, when using a layer divided into two screen blocks, different composition methods cannot be specified for the individual screen blocks. The Priority-OR mode is the same as the OR mode unless flashing of individual screens is used.

**Table-17: Composition Method Selection**

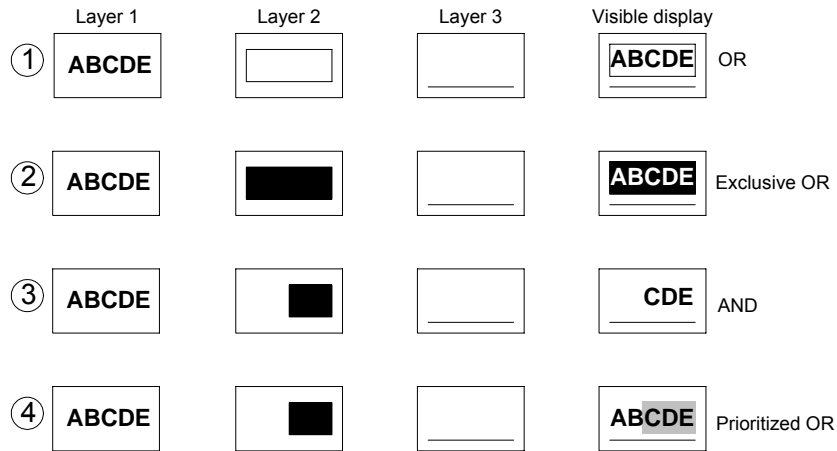
MX1	MX0	Function	Composition Method	Applications
0	0	$L1 \cup L2 \cup L3$	OR	Underlining, rules, mixed text and graphics
0	1	$(L1 \oplus L2) \cup L3$	Exclusive-OR	Inverted characters, flashing regions, underlining
1	0	$(L1 \cap L2) \cup L3$	AND	Simple animation, three-dimensional appearance
1	1	$L1 > L2 > L3$	Priority-OR	

**Notes:**

L1: First layer (text or graphics). If text is selected, layer L3 cannot be used.

L2: Second layer (graphics only)

L3: Third layer (graphics only)



**Figure 6-18: Combined Layer Display**

**Notes:**

- L1: Not flashing
- L2: Flashing at 1 Hz
- L3: Flashing at 2 Hz

**6-3-5-2 DM1, DM2**

DM1 and DM2 specify the display mode of screen blocks 1 and 3, respectively.

DM1/2 = 0: Text mode

DM1/2 = 1: Graphics mode

Note 1: Screen blocks 2 and 4 can only display graphics.

Note 2: DM1 and DM2 must be the same, regardless of the setting of W/S.

**6-3-5-3 OV**

Specifies two- or three-layer composition in graphics mode.

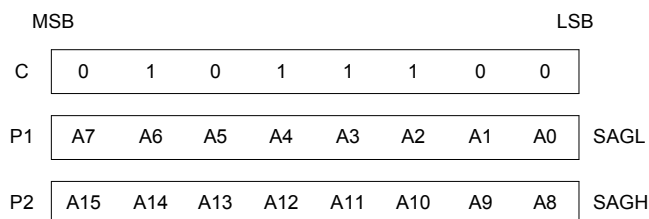
OV = 0: Two-layer composition

OV = 1: Three-layer composition

Set OV to 0 for mixed text and graphics mode.

**6-3-6 CGRAM ADR**

Specifies the CG RAM start address.

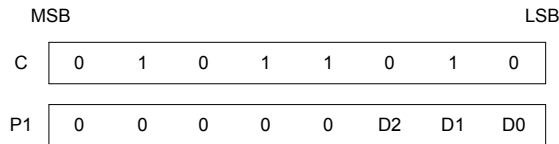


**Figure 6-19: CGRAM ADR Parameters**

**Note:** See section 10 for information on the SAG parameters.

**6-3-7 HDOT SCR**

While the SCROLL command only allows scrolling by characters, HDOT SCR allows the screen to be scrolled horizontally by pixels. HDOT SCR cannot be used on individual layers.



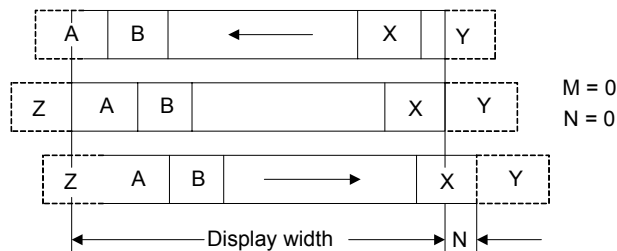
**Figure 6-20: HDOT SCR Parameters**

**6-3-7-1 D0 to D2**

Specifies the number of pixels to scroll. The C/R parameter has to be set to one more than the number of horizontal characters before using HDOT SCR. Smooth scrolling can be simulated if the controlling microprocessor repeatedly issues the HDOT SCR command to the RA8835 series. See Section 9-5 for more information on scrolling the display.

**Table-18: Scroll Step Selection**

P1				Number of pixels to scroll
HEX	D2	D1	D0	
00	0	0	0	0
01	0	0	1	1
02	0	1	0	2
↓	↓	↓	↓	↓
06	1	1	0	6
07	1	1	1	7



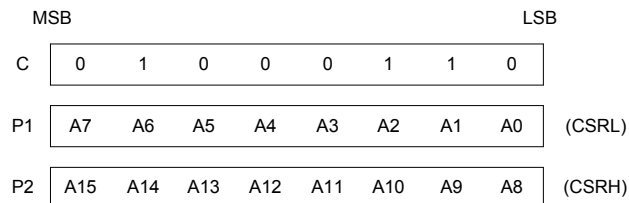
M/N is the number of bits(dots) that parameter 1 (P1) is incremented/decremented by.

**Figure 6-21 Horizontal Scrolling**

## 6-4 Drawing Control Commands

### 6-4-1 CSRW

The 16-bit cursor address register contains the display memory address of the data at the cursor position as shown in Figure 6-22. Note that the microprocessor cannot directly access the display memory. The MREAD and MWRITE commands use the address in this register.

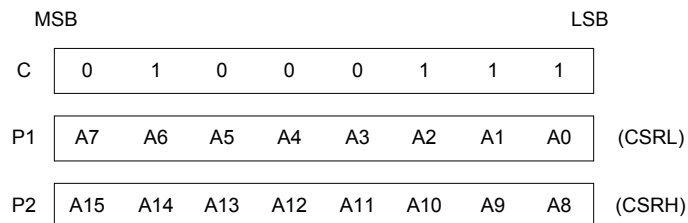


**Figure 6-22: CSRW Parameters**

The cursor address register can only be modified by the CSRW command, and by the automatic increment after an MREAD or MWRITE command. It is not affected by display scrolling. If a new address is not set, display memory accesses will be from the last set address or the address after previous automatic increments.

### 6-4-2 CSRR

Read from the cursor address register. After issuing the command, the data read address is read twice, for the low byte and then the high byte of the register.

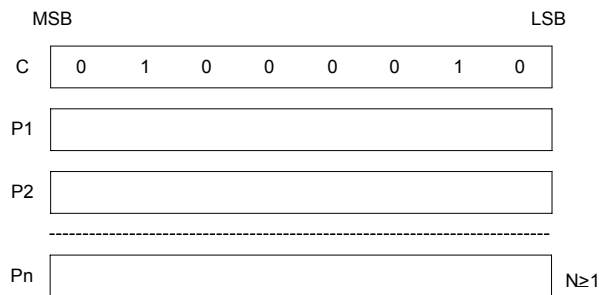


**Figure 6-23: CSRR Parameters**

## 6-5 Memory Control Commands

### 6-5-1 MWRITE

The microprocessor may write a sequence of data bytes to display memory by issuing the MREAD command and then writing the bytes to the RA8835 series. There is no need for further MWRITE commands or for the microprocessor to update the cursor address register after each byte as the cursor address is automatically incremented by the amount set with CSRDIR, in preparation for the next data write.

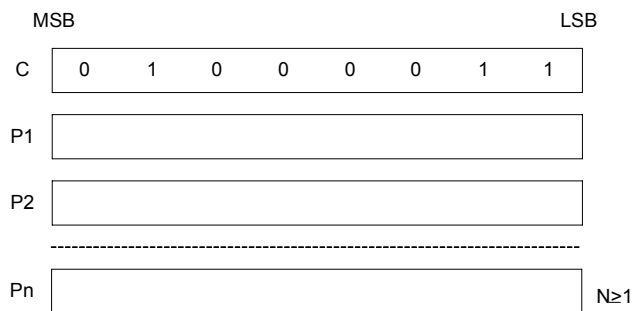


**Figure 6-24: MWRITE Parameters**

**Note:** P1, P2, ..., Pn: display data.

### 6-5-2 MREAD

Put the RA8835 series into the data output state. Each time the microprocessor reads the buffer, the cursor address is incremented by the amount set by CSRDIR and the next data byte fetched from memory, so a sequence of data bytes may be read without further MREAD commands or by updating the cursor address register. If the cursor is displayed, the read data will be from two positions ahead of the cursor.



**Figure 6-25: MREAD Parameters**



## 7. Functions Description

### 7-1 MCU Bus Interface

SEL1, SEL2, A0,  $\overline{RD}$ ,  $\overline{WR}$  and  $\overline{CS}$  are used as control signals for the microprocessor data bus. A0 is normally connected to the lowest bit of the system address bus. SEL1 and SEL2 change the operation of the  $\overline{RD}$  and  $\overline{WR}$  pins to enable interfacing to either an 8080 or 6800 family bus, and should have a pull-up or pull-down resistor. With microprocessors using an 8080 family interface, the RA8835 series is normally mapped into the I/O address space.

#### 7-1-1 8080 Series

**Table-19: 8080 Series Interface Signals**

A0	$\overline{RD}$	$\overline{WR}$	Function
0	0	1	Status flag read
1	0	1	Display data and cursor address read
0	1	0	Display data and parameter write
1	1	0	Command write

#### 7-1-2 6800 Series

**Table-20A: 6800 Series Interface Signals**

A0	R/ $\overline{W}$	E	Function
0	1	1	Status flag read
1	1	1	Display data and cursor address read
0	0	1	Display data and parameter write
1	0	1	Command write

### 7-2 MCU Synchronization

The RA8835 series interface operates at full bus speed, completing the execution of each command within the cycle time,  $t_{CYC}$ . The controlling microprocessor's performance is thus not hampered by polling or handshaking when accessing the RA8835 series.

Display flicker may occur if there is more than one consecutive access that cannot be ignored within a frame. The microprocessor can minimize this either by performing these accesses intermittently, or by continuously checking the status flag (D6) and waiting for it to become HIGH.

#### 7-2-1 Display Status Indication Output

When  $\overline{CS}$ , A0 and  $\overline{RD}$  are LOW, D6 functions as the display status indication output. It is HIGH during the TV-mode vertical retrace period or the LCD-mode horizontal retrace period, and LOW, during the period the controller is writing to the display. By monitoring D6 and writing to the data memory only during retrace periods, the display can be updated without causing screen flicker.

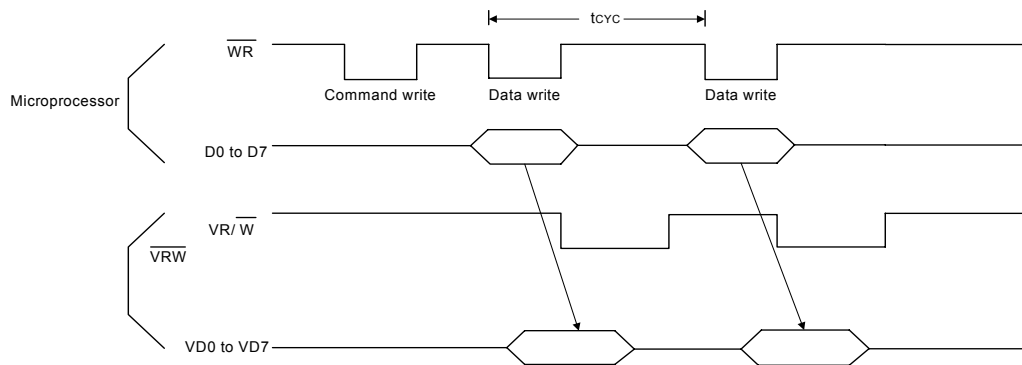
**7-2-2 Internal Register Access**

The SYSTEM SET and SLEEP IN commands can be used to perform input/output to the RA8835 series independently of the system clock frequency. These are the only commands that can be used while the RA8835 series is in sleep mode.

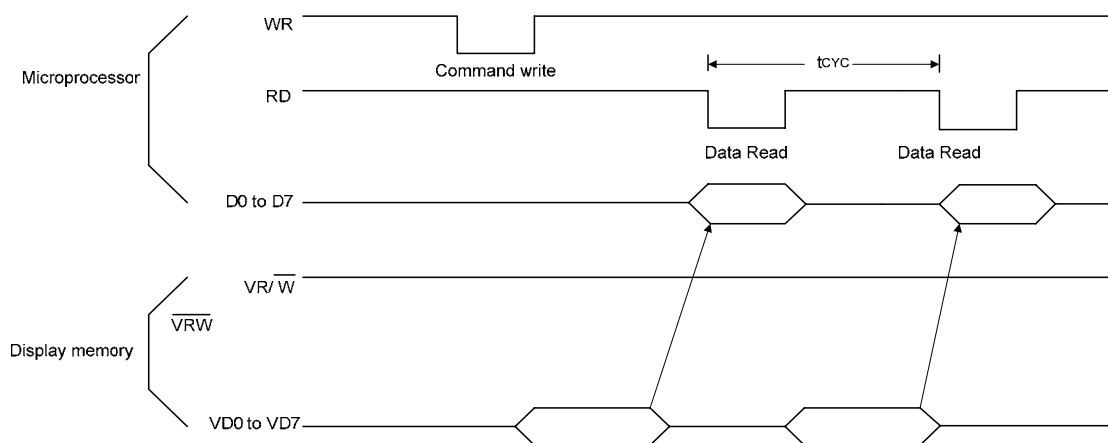
**7-2-3 Display Memory Access**

The RA8835 series supports a form of pipelined processing, in which the microprocessor synchronizes its processing to the RA8835 series timing. When writing, the microprocessor first issues the MWRITE command. It then repeatedly writes display data to the RA8835 series using the system bus timing. This ensures that the microprocessor is not slowed down even if the display memory access times are slower than the system bus access times. See Figure 7-1A.

When reading, the microprocessor first issues the MREAD command, which causes the RA8835 series to load the first read data into its output buffer. The microprocessor then reads data from the RA8835 series using the system bus timing. With each read, the RA8835 series reads the next data item from the display memory ready for the next read access. See Figure 7-1B.



**Figure 7-1A: Display Memory Write Cycle**



**Figure 7-1B: Display Memory Read Cycle**

**Note:** A possible problem with the display memory read cycle is that the system bus access time,  $t_{ACC}$ , does not depend on the display memory access time,  $t_{ACV}$ . The microprocessor may

only make repeated reads if the read loop time exceeds the RA8835 series cycle time,  $t_{CYC}$ . If it does not, NOP instructions may be inserted in the program loop.  $t_{ACC}$ ,  $t_{ACV}$  and  $t_{CYC}$  limits are given in section 7-2.

### 7-3 MCU Interface Examples

#### 7-3-1 Z80 to RA8835 Interface

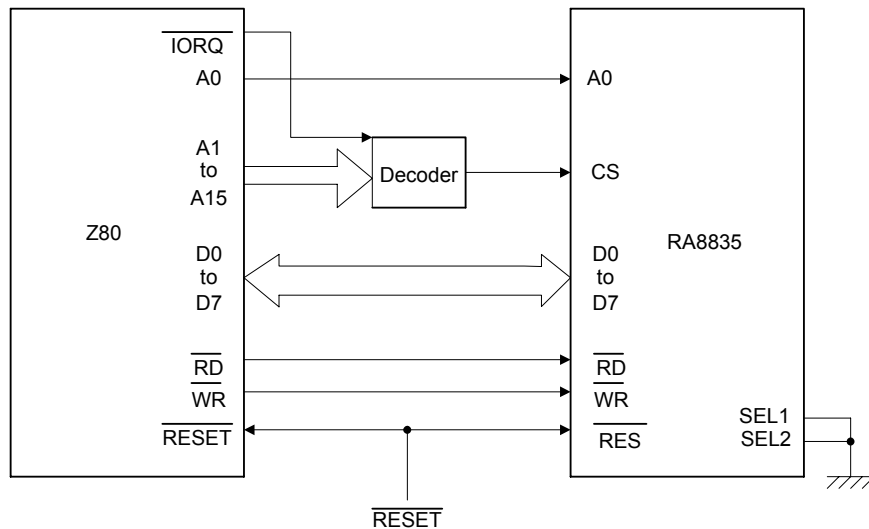


Figure 7-2A: Z80 to RA8835 Interface

#### 7-3-2 6802 to RA8835 Interface

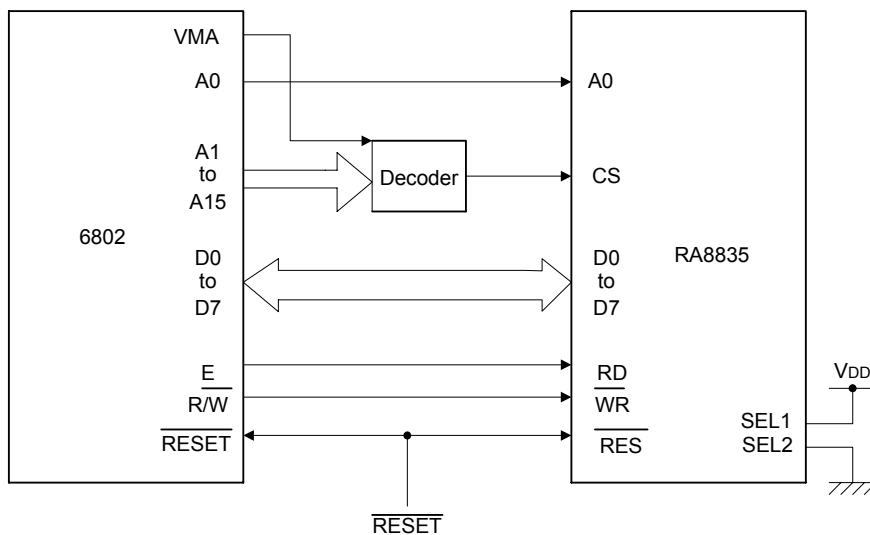
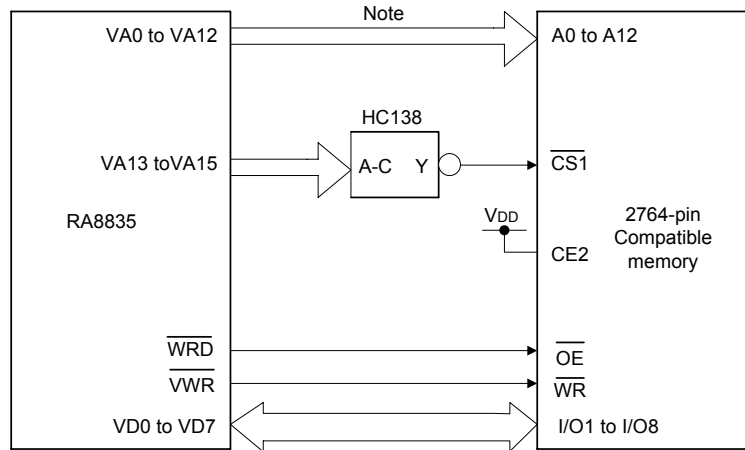


Figure 7-2B: 6802 to RA8835 Interface

### 7-4 Static RAM

The figure below shows the interface between an 8Kx8 static RAM and the RA8835 series. Note that bus buffers are required if the bus is heavily loaded.



**Figure 7-3: Static RAM Interface**

**Note:** If the bus loading is too much, use a bus buffer.

### 7-5 Supply Current during Display Memory Access

The 24 address and data lines of the RA8835 series cycle at one-third of the oscillator frequency,  $f_{OSC}$ . The charge and discharge current on these pins,  $I_{VOP}$ , is given by the equation below. When  $I_{VOP}$  exceeds  $I_{OPR}$ , it can be estimated by:

$$I_{VOP} \propto C V f$$

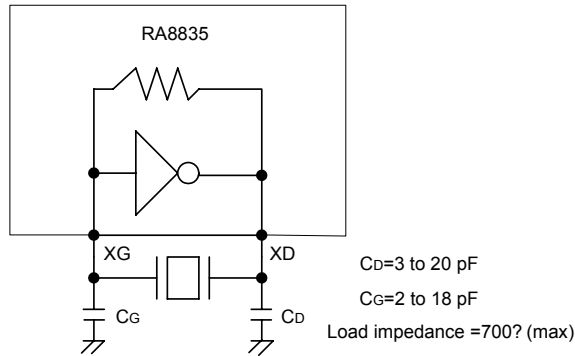
Where  $C$  is the capacitance of the display memory bus,  $V$  is the operating voltage, and  $f$  is the operating frequency. If  $V_{OPR} = 5.0V$ ,  $f = 1.0 \text{ MHz}$ , and the display memory bus capacitance is  $1.0 \text{ pF}$  per line:

$$I_{VOP} \leq 120 \text{ mA} / \text{MHz} \times \text{pF}$$

To reduce current flow during display memory accesses, it is important to use low-power memory, and to minimize both the number of devices and the parasitic capacitance.

### 7-6 Oscillator Circuit

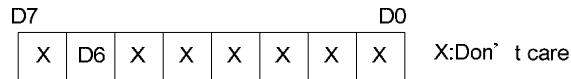
The RA8835 series incorporates an oscillator circuit. A stable oscillator can be constructed simply by connecting an AT-cut crystal and two capacitors to XG and XD, as shown in the figure below. If the oscillator frequency is increased, CD and CG should be decreased proportionally. Note that the circuit board lines to XG and XD must be as short as possible to prevent wiring capacitance from changing the oscillator frequency or increasing the power consumption.



**Figure 7-4: Crystal Oscillator**

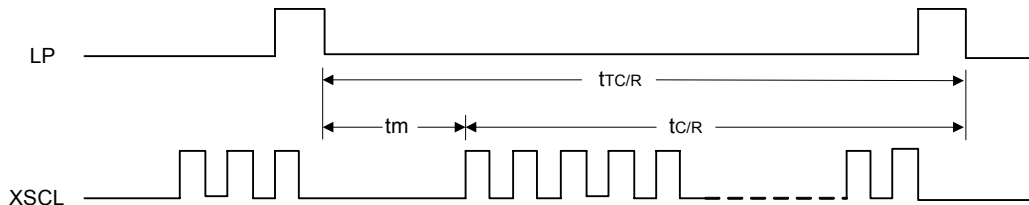
### 7-7 Status Flag

The RA8835 series has a single bit status flag.  
D6: X line standby



**Figure 7-5: Status Flag**

The D6 status flag is HIGH for the TC/R-C/R cycles at the end of each line where the RA8835 series is not reading the display memory. The microprocessor may use this period to update display memory without affecting the display, however it is recommended that the display be turned off when refreshing the whole display.



**Figure 7-6: C/R to TC/R Time Difference**

CS	A0	RD	D <sub>6</sub> (flag)
0	0	0	0: Period of retrace lines 1: Period of display

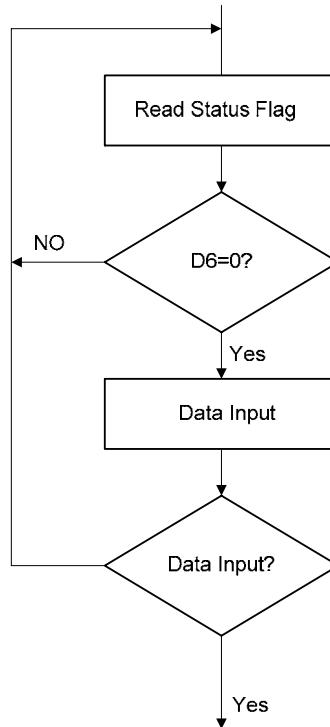
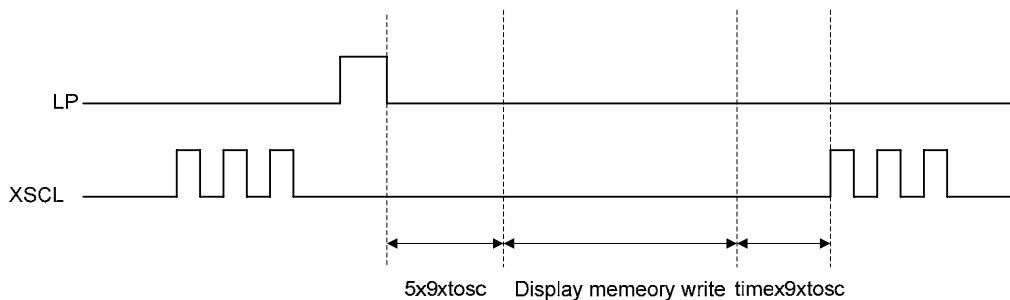


Figure 7-7: Flowchart for Busy Flag Checking

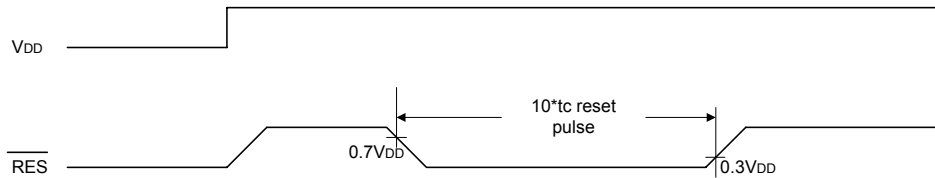
• Precaution on the write timing to VRAM



The allowable writing duration is since “5 x 9 x t<sub>osc</sub>” has elapsed (t<sub>osc</sub> = 1/f<sub>osc</sub>: a cycle of the oscillation frequency) from the positive going edge of LP up to {(TCR) – (C/R) – 7} x 9 x t<sub>osc</sub>.

Currently employed D6 status flag reading method does not identify the timing when the read D6 = Low took place. Thus, negative going edge of LP should be used as the interrupt signal when implementing the writing in above timing. If you try to access the display memory in other timing than the above, flickering of the display screen will result.

**7-8 Reset**



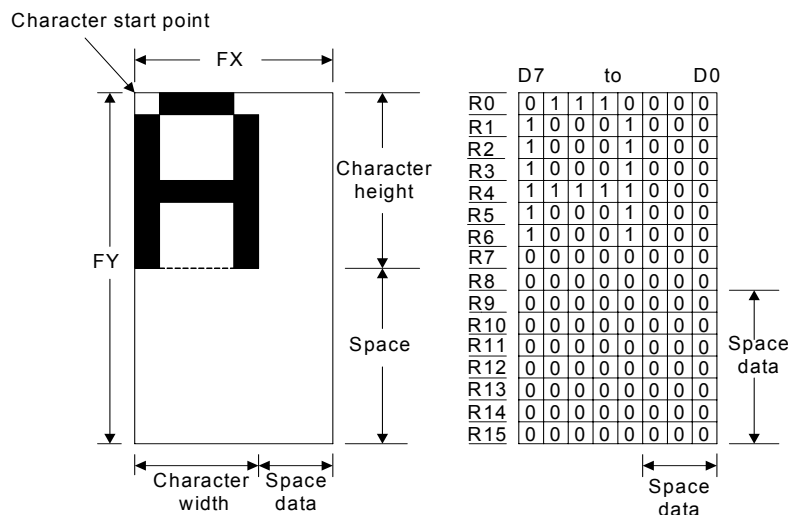
**Figure 7-8: Reset Timing**

The RA8835 series requires a reset pulse at least  $10 \cdot t_c$  long after power-on in order to re-initialize its internal state. If the oscillator frequency is 10Mhz, then the Reset pulse is at least  $1\mu s$ . For maximum reliability, it is not recommended to apply a DC voltage to the LCD panel while the RA8835 series is reset. Turn off the LCD power supplies for at least one frame period after the start of the reset pulse.

The RA8835 series cannot receive commands while it is reset. Commands to initialize the internal registers should be issued soon after a reset. During reset, the LCD drive signals  $XD$ ,  $LP$  and  $FR$  are halted. A delay of 3 ms (maximum) is required following the rising edges of both RES and VDD to allow for system stabilization.

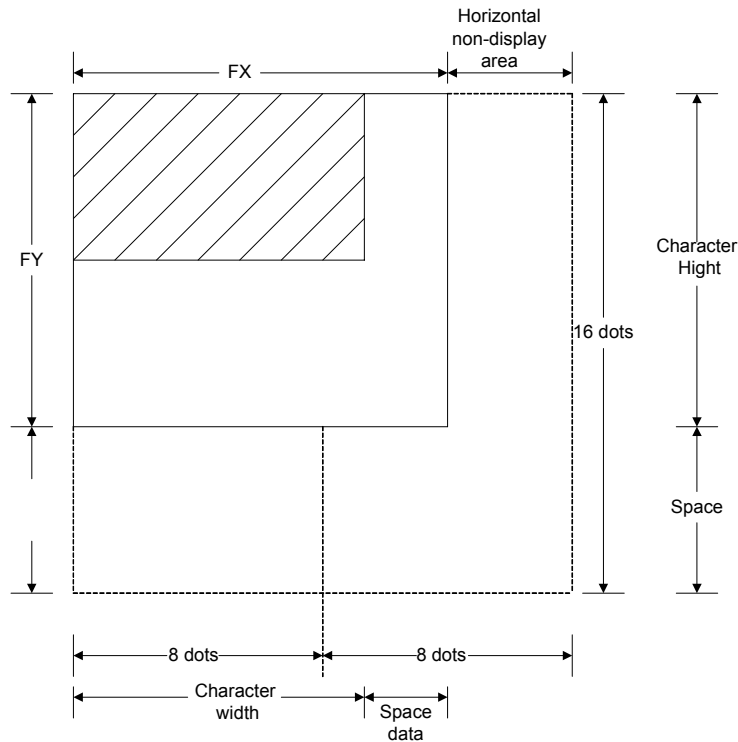
**7-9 Character Configuration**

The origin of each character bitmap is in the top left corner as shown in Figure 7-9. Adjacent bits in each byte are horizontally adjacent in the corresponding character image. Although the size of the bitmap is fixed by the character generator, the actual displayed size of the character field can be varied in both dimensions.



**Figure 7-9: Example of Character Display ( $[FX] \leq 8$ ) and Generator Bitmap**

If the area outside the character bitmap contains only zeros, the displayed character size can easily be increased by increasing FX and FY, as the zeros ensure that the extra space between displayed characters is blank. The displayed character width can be set to any value up to 16 even if each horizontal row of the bitmap is two bytes wide.

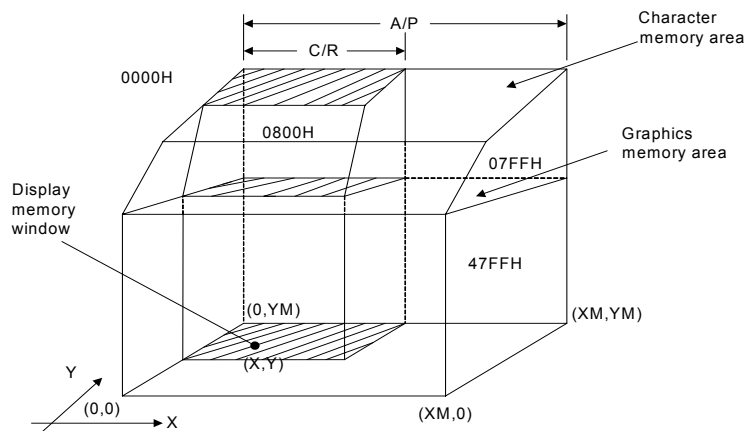


**Figure 7-10: Character Width Greater Than One Byte Wide ([FX]=9)**

**Note:** The RA8835 series does not automatically insert spaces between characters. If the displayed character size is 8 pixels or less and the space between character origins is nine pixels or more, the bitmap must use two bytes per row, even though the character image requires only one.

## 7-10 Screen Configuration

### 7-10-1 Screen Configuration



**Figure 7-11: Virtual and Physical Screen Relationship**

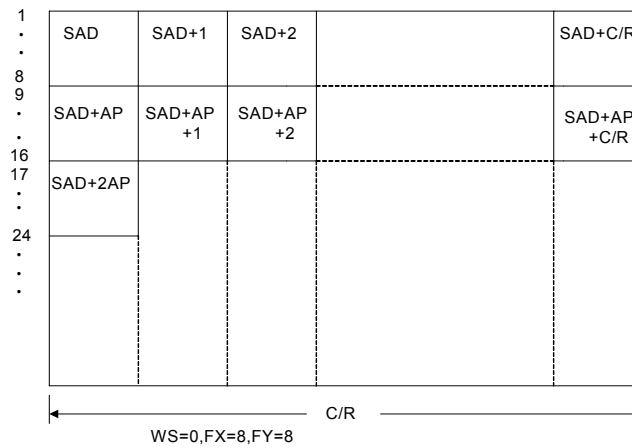


The basic screen configuration of the RA8835 series is as a single text screen or as overlapping text and graphics screens. The graphics screen uses eight times as much display memory as the text screen. Figure 7-11 shows the relationship between the virtual screens and the physical screen.

**7-10-2 Display Address Scanning**

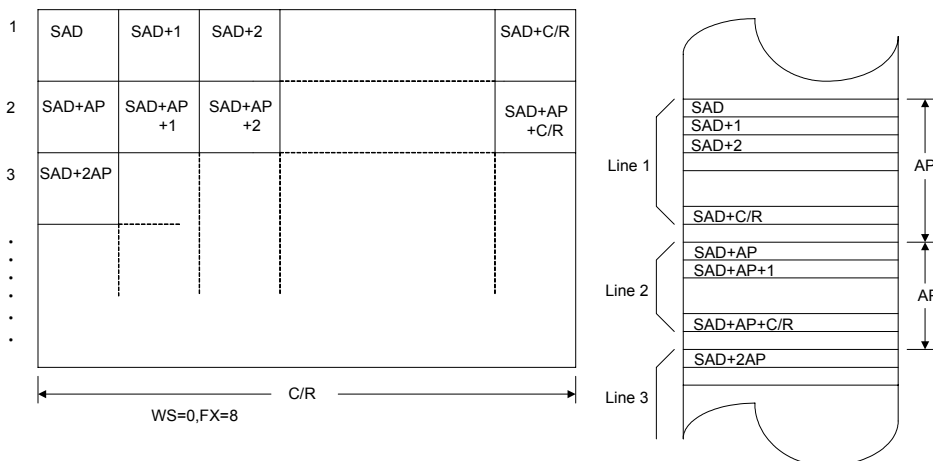
The RA8835 series scans the display memory in the same way as a raster scan CRT screen. Each row is scanned from left to right until the address range equals C/R. Rows are scanned from top to bottom.

In graphics mode, at the start of each line, the address counter is set to the address at the start of the previous line plus the address pitch, AP.



**Figure 7-12: Character Position Parameters**

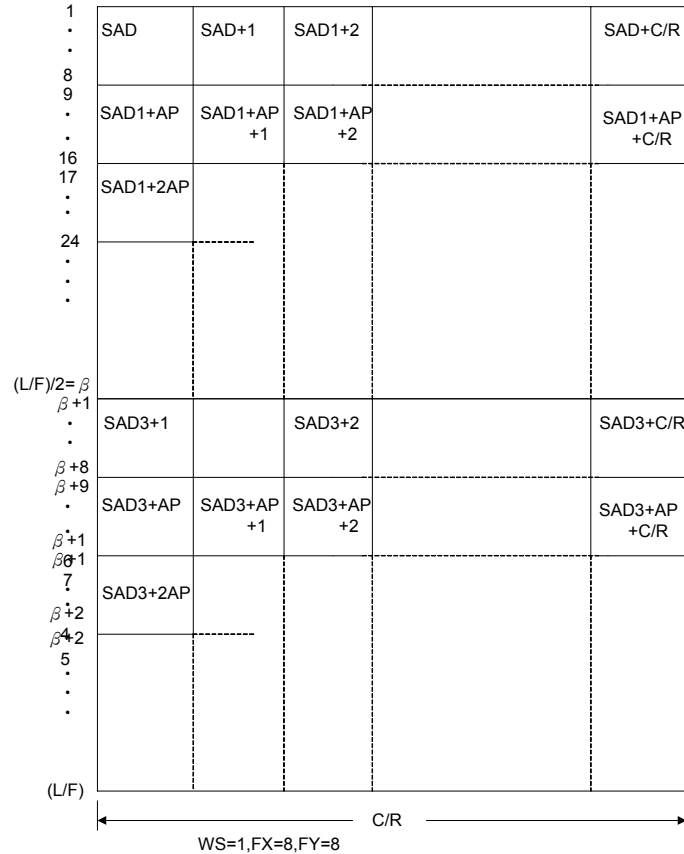
**Note:** One byte of display memory corresponds to one character.



**Figure 7-13: Character Parameters vs. Memory**

**Note:** One bit of display memory corresponds to one pixel.

In text mode, the address counter is set to the same start address, and the same character data is read, for each row in the character bitmap. However, a new row of the character generator output is used each time. Once all the rows in the character bitmap have been displayed, the address counter is set to the start address plus AP and the next line of text is displayed.

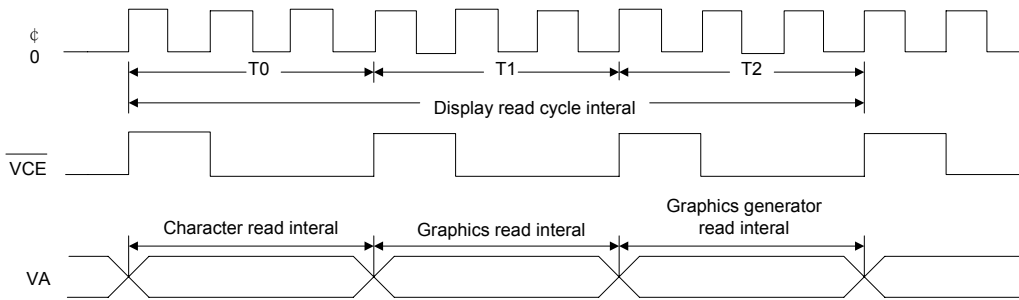


**Figure 7-14: Two-panel Display Address Indexing**

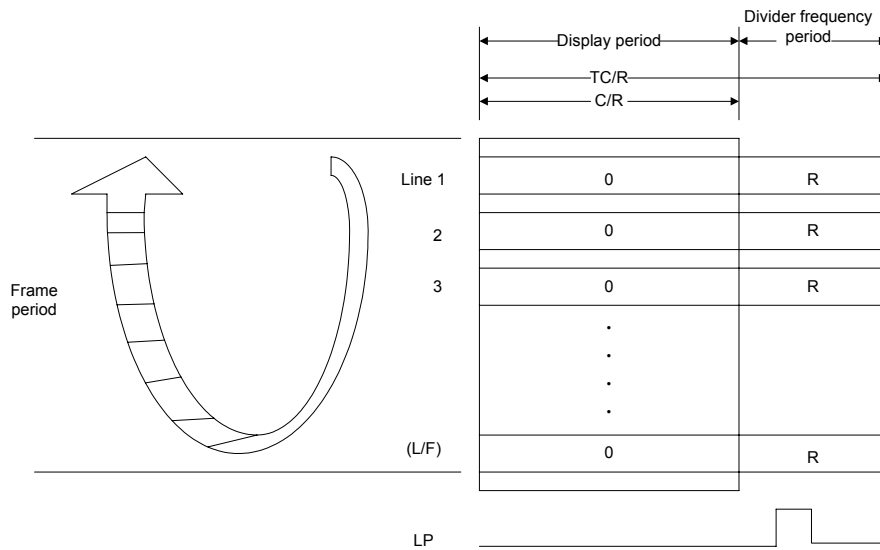
**Note:** In two-panel drive, the RA8835 series reads line 1 and line b + 1 as one cycle. The upper and lower panels are thus read alternately, one line at a time.

**7-10-3 Display Scan Timing**

Figure 7-15 shows the basic timing of the RA8835 series. One display memory read cycle takes nine periods of the system clock,  $\phi_0$  ( $f_{OSC}$ ). This cycle repeats  $(C/R + 1)$  times per display line. When reading, the display memory pauses at the end of each line for  $(TC/R - C/R)$  display memory read cycles, though the LCD drive signals are still generated.  $TC/R$  may be set to any value within the constraints imposed by  $C/R$ ,  $f_{OSC}$ ,  $f_{FR}$ , and the size of the LCD panel, and it may be used to fine tune the frame frequency. The microprocessor may also use this pause to access the display memory data.



**Figure 7-15: Display Memory Basic Read Cycle**



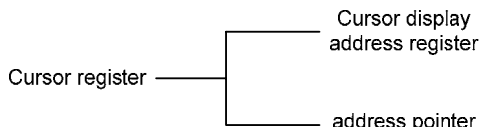
**Figure 7-16: Relationship Between TC/R and C/R**

**Note:** The divider adjustment interval (R) applies to both the upper and lower screens even if  $W/S = 1$ . In this case, LP is active only at the end of the lower screen's display interval.

## 7-11 Cursor Control

### 7-11-1 Cursor Register Function

The RA8835 series cursor address register functions as both the displayed cursor position address register and the display memory access address register. When accessing display memory outside the actual screen memory, the address register must be saved before accessing the memory and restored after memory access is complete.



**Figure 7-17: Cursor Addressing**

Note that the cursor may disappear from the display if the cursor address remains outside the displayed screen memory for more than a few hundred milliseconds.

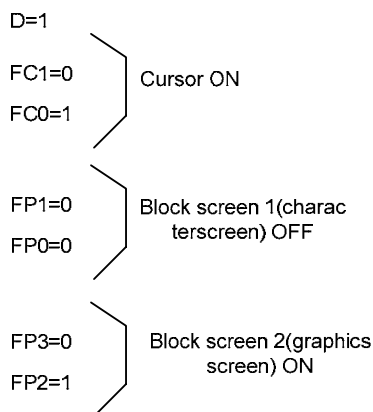
### 7-11-2 Cursor Movement

On each memory access, the cursor address register changes by the amount previously specified with CSRDIR, automatically moving the cursor to the desired location.

### 7-11-3 Cursor Display Layers

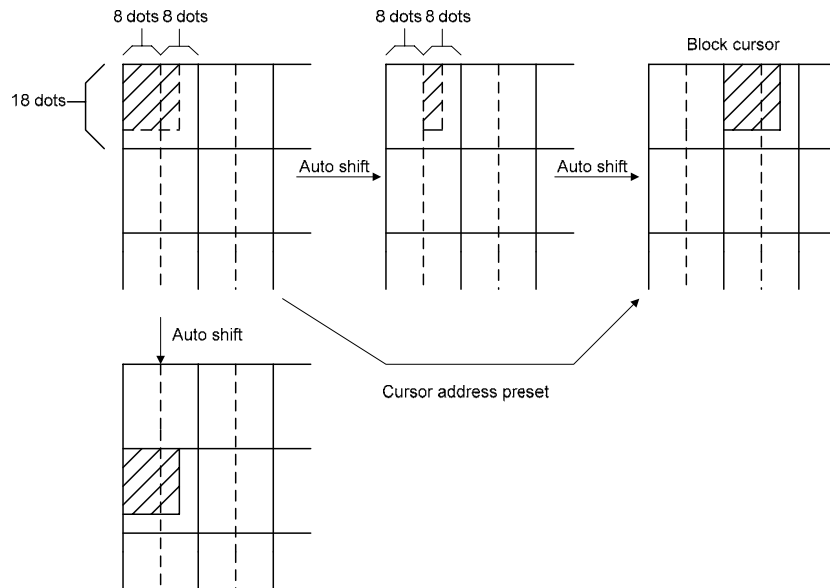
Although the RA8835 series can display up to three layers, the cursor is displayed in only one of these layers: Two-layer configuration: First layer (L1) Three-layer configuration: Third layer (L3) The cursor will not be displayed if it is moved outside the memory for its layer. Layers may be swapped or the cursor layer moved within the display memory if it is necessary to display the cursor on a layer other than the present cursor layer.

Although the cursor is normally displayed for character data, the RA8835 series may also display a dummy cursor for graphical characters. This is only possible if the graphics screen is displayed, the text screen is turned off and the microprocessor generates the cursor control address.



**Figure 7-18: Cursor Display Layers**

Consider the example of displaying Chinese characters on a graphics screen. To write the display data, the cursor address is set to the second screen block, but the cursor is not displayed. To display the cursor, the cursor address is set to an address within the blank text screen block. Since the automatic cursor increment is in address units, not character units, the controlling microprocessor must set the cursor address register when moving the cursor over the graphical characters.



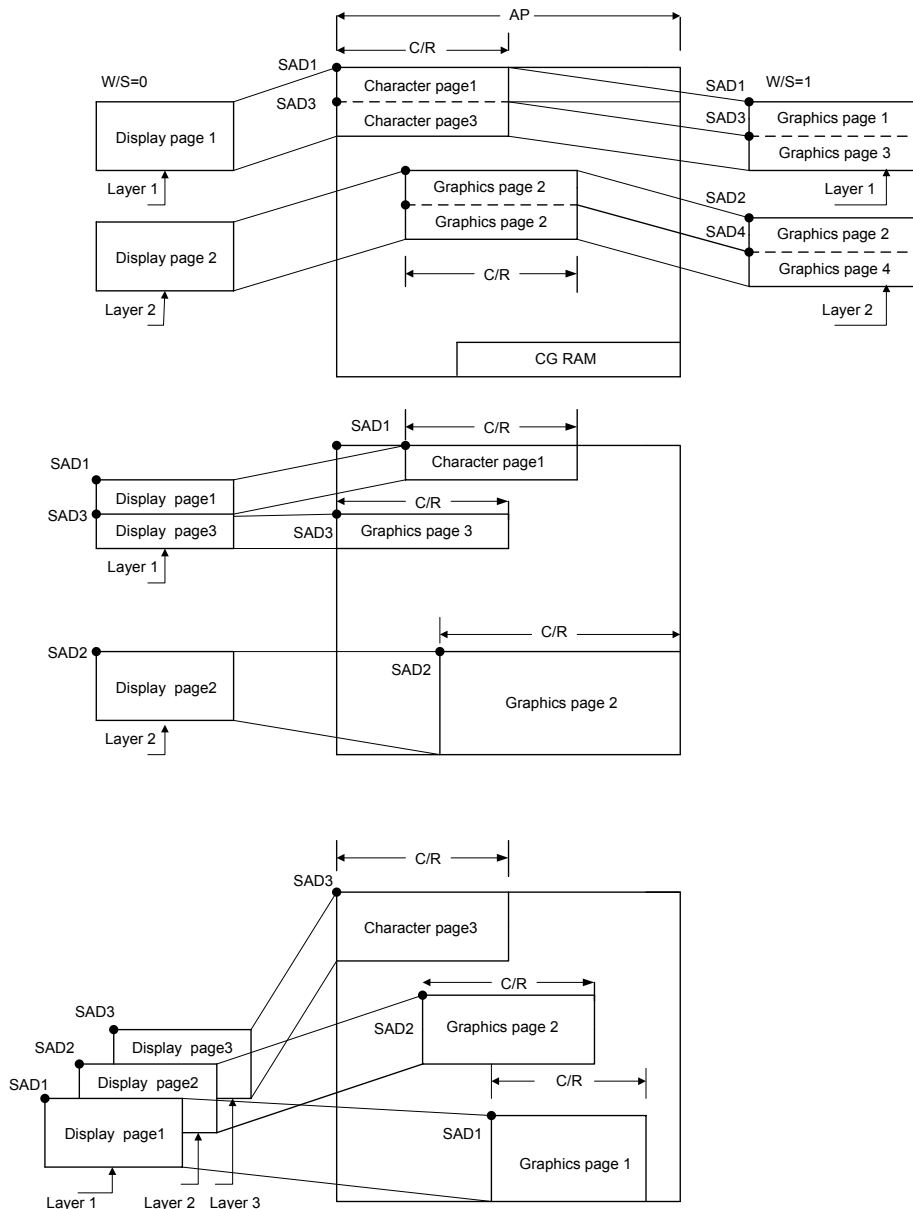
**Figure 7-19: Cursor Movement**

If no text screen is displayed, only a bar cursor can be displayed at the cursor address.  
If the first layer is a mixed text and graphics screen and the cursor shape is set to a block cursor, the RA8835 series automatically decides which cursor shape to display. On the text screen it displays a block cursor, and on the graphics screen, a bar cursor.

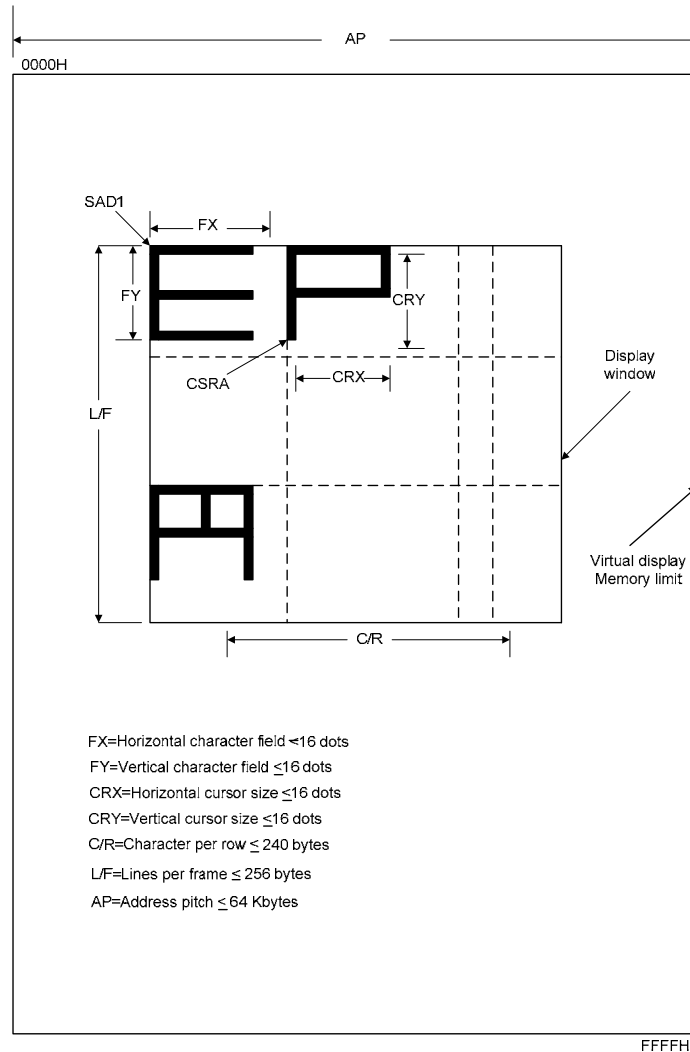
### 7-12 Memory to Display Relationship

The RA8835 series supports virtual screens that are larger than the physical size of the LCD panel address range, C/R. A layer of the RA8835 series can be considered as a window in the larger virtual screen held in display memory. This window can be divided into two blocks, with each block able to display a different portion of the virtual screen.

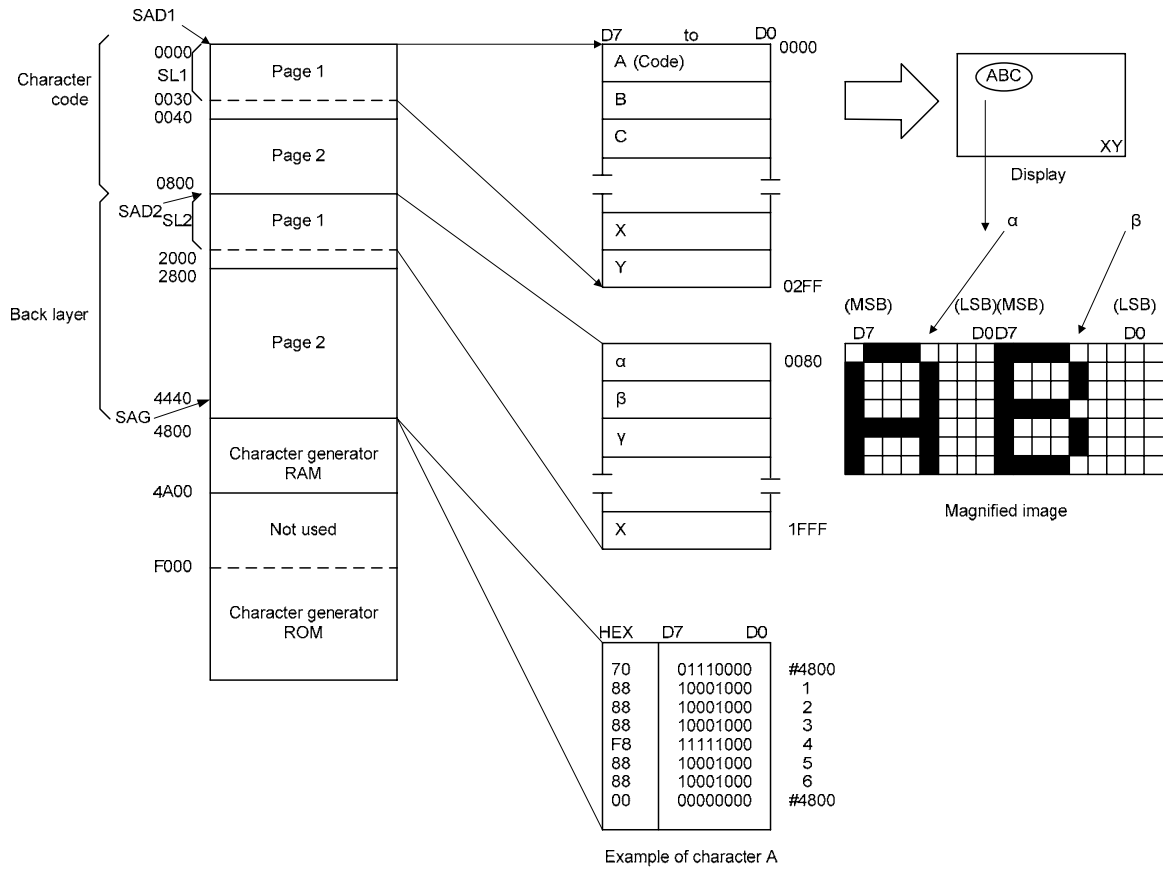
This enables, for example, one block to dynamically scroll through a data area while the other acts as a status message display area. See Figure 7-20 and 7-21.



**Figure 7-20: Display Layers and Memory**



**Figure 7-21: Display Windows and Memory**



**Figure 7-22: Memory Map and Magnified Characters**

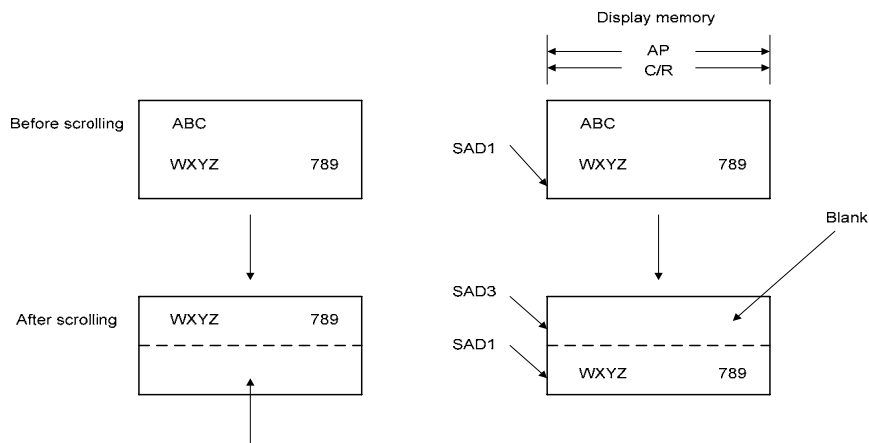


## 7-13 Scrolling

The controlling microprocessor can set the RA8835 series scrolling modes by overwriting the scroll address registers SAD1 to SAD4, and by directly setting the scrolling mode and scrolling rate.

### 7-13-1 On-page Scrolling

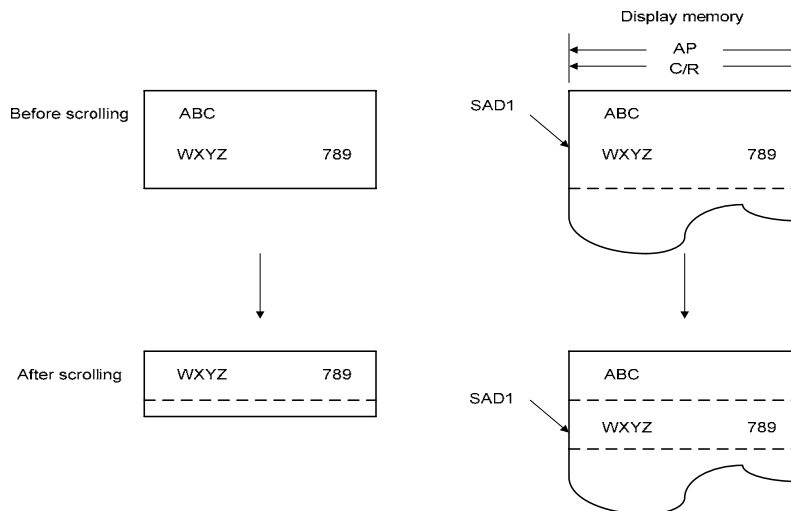
The normal method of scrolling within a page is to move the whole display up one line and erase the bottom line. Since the RA8835 series does not automatically erase the bottom line, it must be erased with blanking data when changing the scroll address register.



**Figure 7-23: On-page Scrolling**

### 7-13-2 Inter-page Scrolling

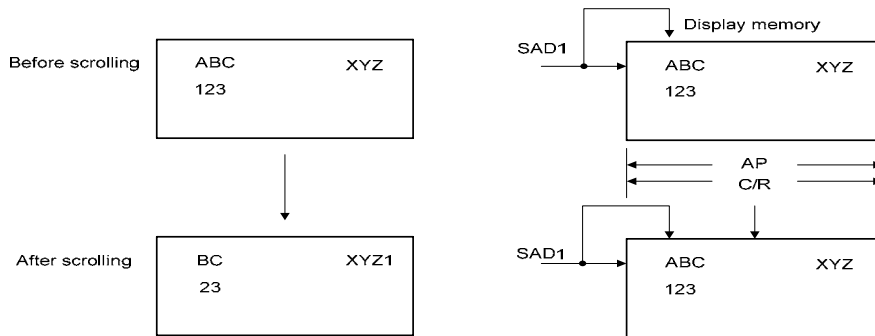
Scrolling between pages and page switching can be performed only if the display memory capacity is greater than one screen.



**Figure 7-24: Inter-page Scrolling**

**7-13-3 Horizontal Scrolling**

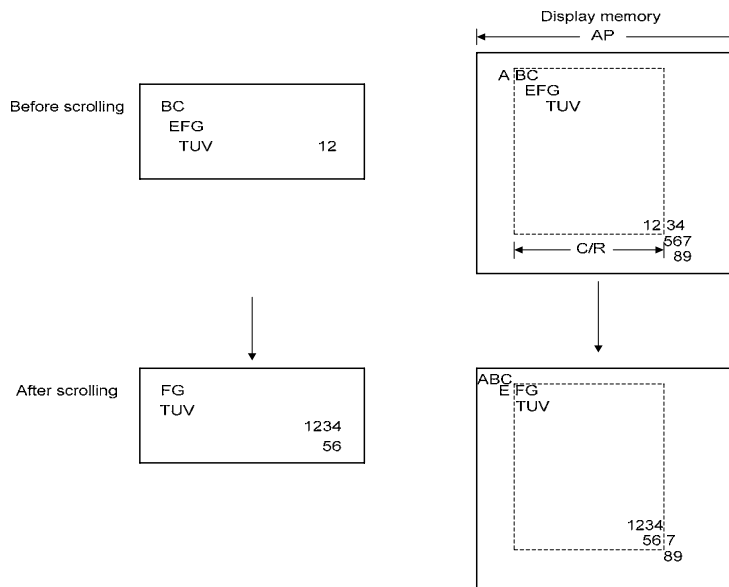
The display can be scrolled horizontally in one-character units, regardless of the display memory capacity.



**Figure 7-25: Horizontal Wraparound Scrolling**

**7-13-4 Bi-directional Scrolling**

Bi-directional scrolling can be performed only if the display memory is larger than the physical screen both horizontally and vertically. Although scrolling is normally done in single-character units, the HDOT SCR command can be used to scroll horizontally in pixel units. The Single-pixel scrolling of both horizontally and vertically can be performed by using the SCROLL and HDOT SCR commands. See Section 17-4.



**Figure 7-26: Bi-directional Scrolling**

### 7-13-5 Scroll Units

**Table-20B: Scroll Units**

Mode	Vertical	Horizontal
Text	Characters	Pixels or characters
Graphics	Pixels	Pixels

Note that in a divided screen, each block cannot be independently scrolled horizontally in pixel units.

## 7-14 CG Characteristics

### 7-14-1 Internal Character Generator

The internal character generator is recommended for minimum system configurations containing a RA8835 series, display RAM, LCD panel, single-chip microprocessor and power supply. Since the internal character generator uses a CMOS mask ROM, it is also recommended for low-power applications.

- 5 x 7-pixel font (See Section 18.)
- 160 JIS standard characters
- Can be mixed with character generator RAM (maximum of 64 CG RAM characters)
- Can be automatically spaced out up to 8 x 16 pixels

### 7-14-2 External Character Generator ROM

The external CG ROM can be used when fonts other than those in the internal ROM are needed. Data is stored in the external ROM in the same format used in the internal ROM. (See Section 11-4)

- Up to 8 x 8-pixel characters (M2 = 0) or 8 x 16-pixel characters (M2 = 1)
- Up to 256 characters (192 if used together with the internal ROM)
- Mapped into the display memory address space at F000H to F7FFH (M2 = 0) or F000H to FFFFH (M2 = 1)
- Characters can be up to 8 x 16-pixels; however, excess bits must be set to zero.

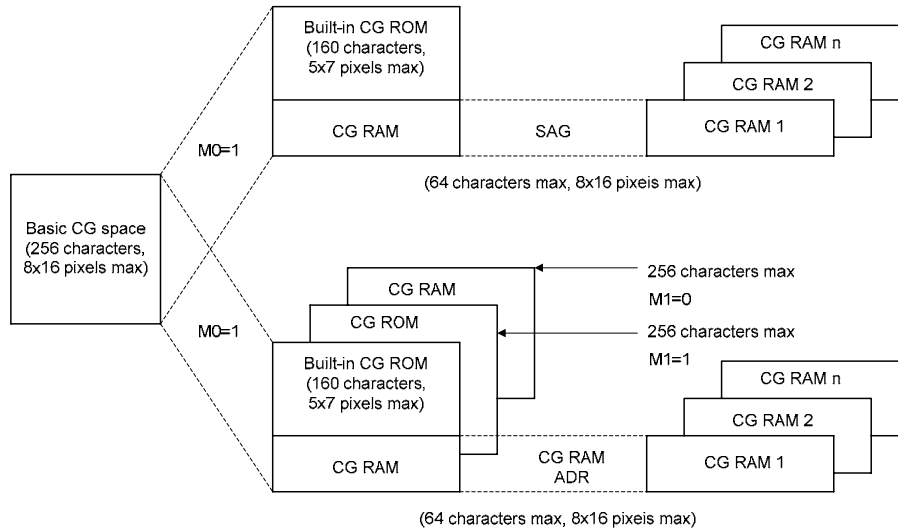
### 7-14-3 Character Generator RAM

The user can freely use the character generator RAM for storing graphics characters. The character generator RAM can be mapped by the microprocessor anywhere in display memory, allowing effective use of unused address space.

- Up to 8 x 8-pixel characters (M2 = 0) or 8 x 16 characters (M2 = 1)
- Up to 256 characters if mapped at F000H to FFFFH (64 if used together with character generator ROM)
- Can be mapped anywhere in display memory address space if used with the character generator ROM
- Mapped into the display memory address space at F000H to F7FFH if not used with the character generator ROM (more than 64 characters are in the CG RAM). Set SAG0 to F000H and M1 to zero when defining characters number 193 upwards.

**7-15 CG Memory Allocation**

Since the RA8835 series uses 8-bit character codes, it can handle no more than 256 characters at a time. However, if a wider range of characters is required, character generator memory can be bank-switched using the CGRAM ADR command.



**Figure 7-27: Internal and External Character Mapping**

Note that there can be no more than 64 characters per bank.

**Table-21: Character Mapping**

Item	Parameter	Remarks
Internal/external character generator selection	M0	
Character field height	1 to 8 pixels	M2 = 0
	9 to 16 pixels	M2 = 1
	Greater than 16 pixels	Graphics mode (8 bits '1 line)
Internal CG ROM/RAM select	Automatic	Determined by the character code
External CG ROM/RAM select		
CG RAM bit 6 correction	M1	
CG RAM data storage address	Specified with CG RAM ADR command	Can be moved anywhere in the display memory address space
External CG ROM Address	192 characters or less	Other than the area of Figure 7-2A
	More than 192 characters	Set SAG to F000H and overly SAG and the CG ROM table

**7-16 Setting Character Generator Address**

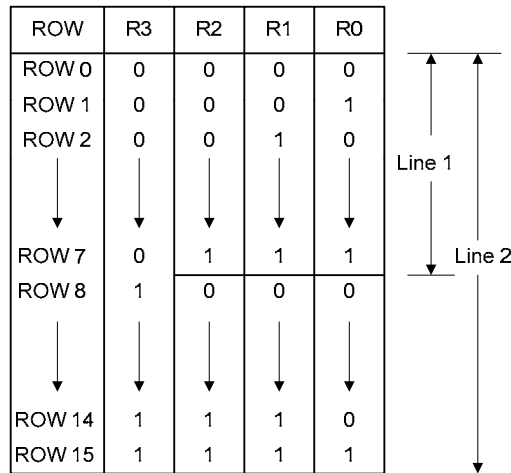
The CG RAM addresses in the VRAM address space are not mapped directly from the address in the SAG register. The data to be displayed is at a CG RAM address calculated from SAG + character code + ROW select address. This mapping is shown in Table-22A and –22B.

**Table-22A: Character Fonts, Number of Lines ≤ 8 (M2 = 0, M1 = 0)**

SAG	A15	A14	A13	A12	A11	A10	A9	A8	A7	A6	A5	A4	A3	A2	A1	A0
Character code	0	0	0	0	0	D7	D6	D5	D4	D3	D2	D1	D0	0	0	0
+ROW select address	0	0	0	0	0	0	0	0	0	0	0	0	0	R2	R1	R0
CG RAM address	VA15	VA14	VA13	VA12	VA11	VA10	VA9	VA8	VA7	VA6	VA5	VA4	VA3	VA2	VA1	VA0

**Table-22B: Character Fonts, 9 ≤ Number of Lines ≤ 16 (M2 = 1, M1 = 0)**

SAG	A15	A14	A13	A12	A11	A10	A9	A8	A7	A6	A5	A4	A3	A2	A1	A0
Character code	0	0	0	0	D7	D6	D5	D4	D3	D2	D1	D0	0	0	0	0
+ROW select address	0	0	0	0	0	0	0	0	0	0	0	0	R3	R2	R1	R0
CG RAM address	VA15	VA14	VA13	VA12	VA11	VA10	VA9	VA8	VA7	VA6	VA5	VA4	VA3	VA2	VA1	VA0



**Figure 7-28: Row Select Address**

**Note:** Lines = 1: lines in the character bitmap ≤ 8  
 Lines = 2: lines in the character bitmap ≤ 9

**7-16-1 M1 = 1**

The RA8835 series automatically converts all bits set in bit 6 of character code for CG RAM 2 to zero. Because of this, the CG RAM data areas become contiguous in display memory. When writing data to CG RAM:

- Calculate the address as for M1 = 0.
- Change bit 6 of the character code from “1” to “0”.

**7-16-2 CG RAM Addressing Example**

- Define a pattern for the “A” in Figure 7-9.
- The CG RAM table start address is 4800H.
- The character code for the defined pattern is 80H (the first character code in the CG RAM area).

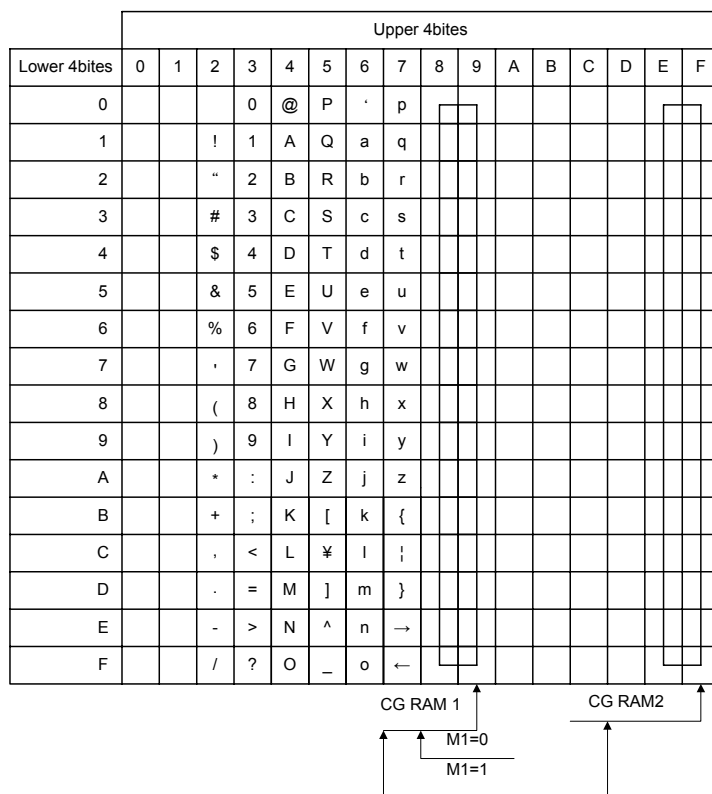
As the character code table in Figure 7-29 shows, codes 80H to 9FH and E0H to FFH are allocated to the CG RAM and can be used as desired. 80H is thus the first code for CG RAM. As characters cannot be used if only using graphics mode, there is no need to set the CG RAM data.

**Table-23: Character Data Example**

CGRAM AD	5CH	
P1	00H	Reverse the CG RAM address calculation to calculate SAG
P2	40H	
CSRDIR	4CH	Set cursor shift direction to right
CSRW	46H	CG RAM start address is 4800H
P1	00H	
P2	48H	
MWRITE	42H	
P	70H	Write ROW 0 data
P2	88H	Write ROW 1 data
P3	88H	Write ROW 2 data
P4	88H	Write ROW 3 data
P5	F8H	Write ROW 4 data
P6	88H	Write ROW 5 data
P7	88H	Write ROW 6 data
P8	00H	Write ROW 7 data
P8	00H	Write ROW 8 data
↓	↓	↓
P16	00H	Write ROW 15 data

**7-17 Character Codes**

The following figure shows the character codes and the codes allocated to CG RAM. The CG RAM if not using the internal ROM can use all codes.



**Figure 7-29: On-chip Character Codes**

## 8. Application Notes

### 8-1 Initialization Parameters

The parameters for the initialization commands must be determined first. Square brackets around a parameter name indicate the number represented by the parameter, rather than the value written to the parameter register. For example, [FX] = FX + 1.

#### 8-1-1 System Set Instruction and Parameters

◎ FX

The horizontal character field size is determined from the horizontal display size in pixels [VD] and the number of characters per line [VC].

$$\frac{[VD]}{[VC]} \leq [FX]$$

◎ C/R

C/R can be determined from VC and FX.

$$[C/R] = \text{RND}\left(\frac{[FX]}{8}\right) \times [VC]$$

Where RND(x) denotes x rounded up to the next highest integer. [C/R] is the number of bytes per line, not the number of characters.

◎ TC/R

TC/R must satisfy the condition  $[TC/R] \geq [C/R] + 4$ .

◎  $f_{OSC}$  and  $f_{FR}$

Once TC/R has been set, the frame frequency,  $f_{FR}$ , and lines per frame [L/F] will also have been set. The lower limit on the oscillator frequency  $f_{OSC}$  is given by:

$$f_{OSC} \geq ([TC/R] \times 9 + 1) \times [L/F] \times f_{FR}$$

◎ If no standard crystal close to the calculated value of  $f_{OSC}$  exists, a higher frequency crystal can be used and the value of

TC/R revised using the above equation.

◎ Symptoms of an incorrect TC/R setting are listed below. If any of these appears, check the value of TC/R and modify it if necessary.

- Vertical scanning halts and a high-contrast horizontal line appears.
- All pixels are on or off.
- The LP output signal is absent or corrupted.
- The display is unstable.



**Table-24: RAiO LCD Unit Example Parameters**

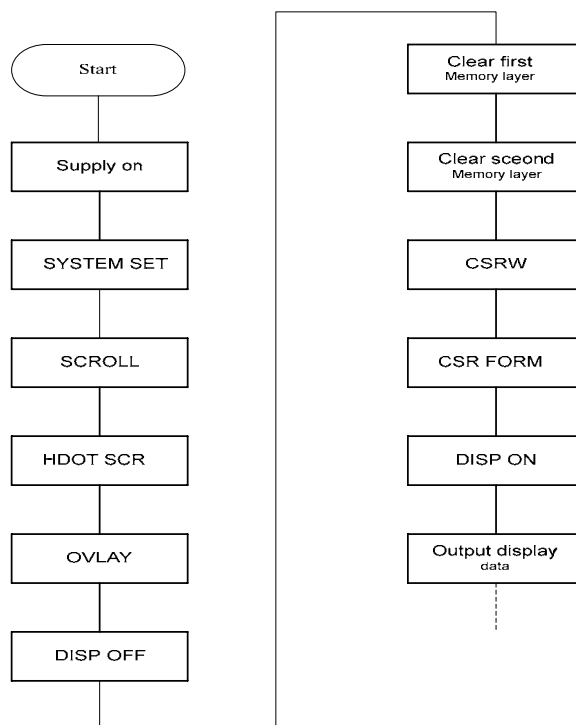
Product name and resolution (X `Y)	[FX]	[FY]	[C/R]	TC/R	f <sub>osc</sub> (MHz) See Note 2.
256 x 64	[FX] = 6 pixels: 256 / 6 = 42 remainder 4 = 4 blank pixels	8 or 16, depending on the screen	[C/R] = 42 = 2AH bytes: C/R = 29H. When using HDOT SCR, [C/R] = 43 bytes	2DH	1.85
512 x 64	[FX] = 6 pixels: 512 / 6 = 85 remainder 2 = 2 blank pixels	8 or 16, depending on the screen	[C/R] = 85 = 55H bytes: C/R = 54H. When using HDOT SCR, [C/R] = 86 bytes	58H	3.59
256 x 128	[FX] = 8 pixels: 256 / 8 = 32 remainder 0 = no blank pixels	8 or 16, depending on the screen	[C/R] = 32 = 20H bytes: C/R = 19H. When using HDOT SCR, [C/R] = 33 bytes	22H	2.90
512 x 128	[FX] = 10 pixels: 512 / 10 = 51 remainder 2 = 2 blank pixels	8 or 16, depending on the screen	[C/R] = 102 = 66H bytes: C/R = 65H. When using HDOT SCR, [C/R] = 103 bytes	69H	8.55

**Notes:**

1. The remainder pixels on the right-hand side of the display are automatically blanked by the RA8835. There is no need to zero the display memory corresponding to these pixels.
2. Assuming a frame frequency of 60 Hz.

**8-1-2 Initialization Example**

The initialization example shown in Figure 8-1 is for a RA8835 series with an 8-bit microprocessor interface bus and a display unit (320 x 240 pixels).



**Figure 8-1: Initialization Procedure**

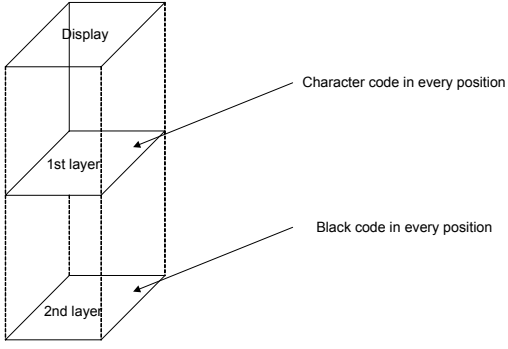

**Note:** Set the cursor address to the start of each screen's layer memory, and use MWRITE to fill the memory with space characters, 20H (text screen only) or 00H (graphics screen only). Determining which memory to clear is explained in section 17-1-3.

**Table-25: Initialization Procedure**

No.	Command	Operation
1	Power-up	
2	Supply	
3	SYSTEM SET C = 40H P1 = 30H  P2 = 87H  P3 = 07H P4 = 27H P5 = 2FH  P6 = EFH P7 = 28H  P8 = 00H	M0: Internal CG ROM M1: CG RAM is 32 characters maximum M2: 8 lines per character W/S: Two-panel drive IV: No top-line compensation FX: Horizontal character size = 8 pixels WF: Two-frame AC drive FY: Vertical character size = 8 pixels C/R: 39 display addresses per line TC/R: Total address range per line = 47 f <sub>OSC</sub> = 8.0 MHz, f <sub>FR</sub> = 70 Hz L/F: 239 display lines AP: Virtual screen horizontal size is 40 addresses
4	SCROLL C = 44H P1 = 00H P2 = 00H P3 = F0H P4 = 80H P5 = 25H P6 = F0H P7 = 00H P8 = 4BH P9 = 00H P10 = 00H	First screen block start address Set to 0000H Display lines in first screen block = 240 Second screen block start address Set to 1000H Display lines in second screen block = 240 Third screen block start address Set to 4B00H Fourth screen block start address Set to 0000H
		<p style="text-align: center;">Display memory</p>
5	HDOT SCR C = 5AH P1 = 00H	Set horizontal pixel shift to zero


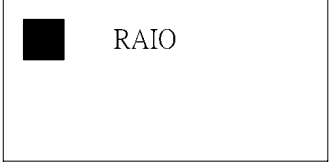
(continued)

**Table-25: Initialization Procedure (continued)**

No.	Command	Operation
6	OVLAY C = 5BH P1 = 01H	MX 1, MX 0: Inverse video superposition DM 1: First screen block is text mode DM 2: Third screen block is text mode
7	DISP ON/OFF C = 58H P1 = 56H	D: Display OFF FC1, FC0: Flash cursor at 2 Hz FP1, FP0: First screen block ON FP3, FP2: Second and fourth screen blocks ON FP5, FP4: Third screen block ON
8	Clear data in first layer	Fill first screen layer memory with 20H (space character)
9	Clear data in second layer	Fill second screen layer memory with 00H (blank data)
		
10	CSRW C = 46H P1 = 00H P2 = 00H	Set cursor to start of first screen block
11	CSR FORM C = 5DH P1 = 04H P2 = 86H	CRX: Horizontal cursor size = 5 pixels CRY: Vertical cursor size = 7 pixels CM: Block cursor
12	DISP ON/OFF C = 59H	Display ON
		
13	CSR DIR C = 4CH	Set cursor shift direction to right

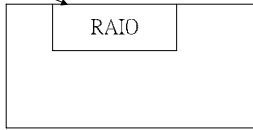
(continued)

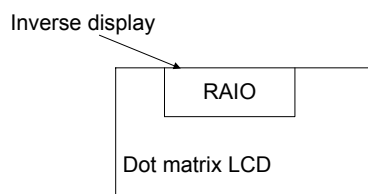
**Table-25: Initialization Procedure (continued)**

No.	Command	Operation
14	MWRITE C = 42H P1 = 20H P2 = 52H P3 = 41H P4 = 49H P5 = 4FH	“ ‘R’ ‘A’ ‘I’ ‘O’  
15	CSRW C = 46H P1 = 00H P2 = 10H	Set cursor to start of second screen block
16	CSR DIR C = 4FH	Set cursor shift direction to down
17	MWRITE C = 42H P1 = FFH ↓ P9 = FFH	Fill a square to the left of the ‘E’  
18	CSRW C = 46H P1 = 01H P2 = 10H	Set cursor address to 1001H
19	MWRITE C = 42H P1 = FFH ↓ P9 = FFH	Fill in the second screen block in the second column of line 1

(continued)

**Table-25: Initialization Procedure (continued)**

No.	Command	Operation
20	CSRW	Repeat operations 18 and 19 to fill in the background under 'RAIO'
↓		
29	MWRITE	<p>Inverse display</p> 
30	CSRW C = 46H P1 = 00H P2 = 01H	Set cursor to line three of the first screen block
31	CSR DIR C = 4CH	Set cursor shift direction to right
32	MWRITE C = 42H	
	P1 = 44H	'D'
	P2 = 6FH	'o'
	P3 = 74H	't'
	P4 = 20H	''
	P5 = 4DH	'M'
	P6 = 61H	'a'
	P7 = 74H	't'
	P8 = 72H	'r'
	P9 = 69H	'i'
	P10 = 78H	'x'
	P11 = 20H	''
	P12 = 4CH	'L'
	P13 = 43H	'C'
	P14 = 44H	'D'



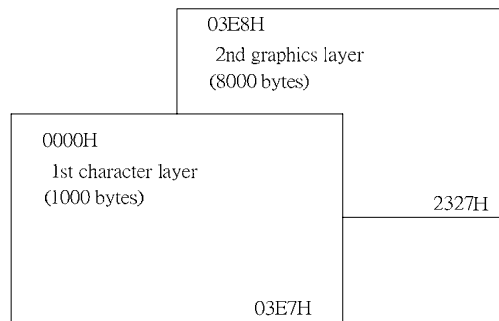
**8-1-3 Display Mode Setting Example 1: combining text and graphics**

◎ Conditions

- 320 x 200 pixels, single-panel drive (1/200 duty cycle)
- First layer: text display
- Second layer: graphics display
- 8 x 8-pixel character font
- CG RAM not required

◎ Display Memory Allocation

- First layer (text):  $320/8 = 40$  characters per line,  $200/8 = 25$  lines. Required memory size =  $40 \times 25 = 1000$  bytes.
- Second layer (graphics):  $320/8 = 40$  characters per line,  $200/1 = 200$  lines. Required memory size =  $40 \times 200 = 8000$  bytes.



**Figure 8-2: Character Over Graphics Layers**

◎ Register Setup Procedure

SYSTEM SET      TC/R calculation

C = 40H

P1 = 30H

P2 = 87H

P3 = 07H

P4 = 27H

P5 = 2FH

P6 = C7H

P7 = 28H

P8 = 00H

$f_{OSC} = 6 \text{ MHz}$

$f_{FR} = 70 \text{ Hz}$

$(1/6) \times 9 \times [TC/R] \times 200 = 1/70$

$[TC/R] = 48$ , so  $TC/R = 2FH$

SCROLL

C = 44H

P1 = 00H

P2 = 00H

P3 = C8H

P4 = E8H

P5 = 03H

P6 = C8H

P7 = XH

P8 = XH

P9 = XH

P10 = XH

CSR FORM

C = 5DH

P1 = 04H  
P2 = 86H

HDOT SCR  
C = 5AH  
P1 = 00H

OVLAY  
C = 5BH  
P1 = 00H

DISP ON/OFF  
C = 59H  
P1 = 16H

X = Don't care

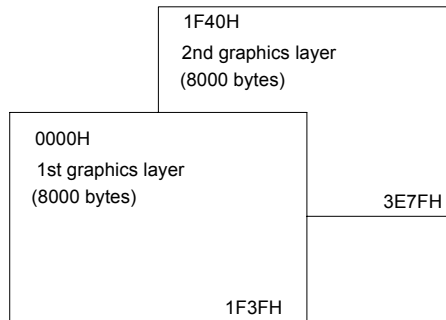
#### 8-1-4 Display Mode Setting Example 2: combining graphics and graphics

◎ Conditions

- 320x200 pixels, single-panel drive (1/ 200 duty cycle)
- First layer: graphics display
- Second layer: graphics display

◎ Display Memory Allocation

- First layer (graphics):  $320/8 = 40$  characters per line,  $200/1 = 200$  lines. Required memory size =  $40 \times 200 = 8000$  bytes.
- Second layer (graphics):  $320/8 = 40$  characters per line,  $200/1 = 200$  lines. Required memory size = 8000 bytes.



**Figure 8-3: Two Layer Graphics**

◎ Register Setup Procedure

SYSTEM SET      TC/R calculation

C = 40H

P1 = 30H

P2 = 87H

P3 = 07H

P4 = 27H

P5 = 2FH

P6 = C7H

P7 = 28H

$f_{OSC} = 6$  MHz

$f_{FR} = 70$  Hz

$(1/6) \times 9 \times [TC/R] \times 200 = 1/70$

$[TC/R] = 48$ , so  $TC/R = 2FH$



P8 = 00H

SCROLL

C = 44H

P1 = 00H

P2 = 00H

P3 = C8H

P4 = 40H

P5 = 1FH

P6 = C8H

P7 = XH

P8 = XH

P9 = XH

P10 = XH

CSR FORM

C = 5DH

P1 = 07H

P2 = 87H

HDOT SCR

C = 5AH

P1 = 00H

OVLAY

C = 5BH

P1 = 0CH

DISP ON/OFF

C = 59H

P1 = 16H

X = Don't care

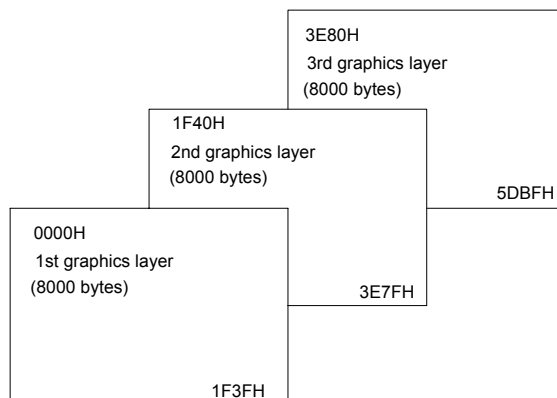
### 8-1-5 Display Mode Setting Example 3: combining three graphics layers

◎ Conditions

- 320x200 pixels, single-panel drive (1/200 duty cycle)
- First layer: graphics display
- Second layer: graphics display
- Third layer: graphics display

◎ Display Memory Allocation

- All layers (graphics):  $320/8 = 40$  characters per line,  $200/1 = 200$  lines. Required memory size =  $40 \times 200 = 8000$  bytes.



**Figure 8-4: Three Layer Graphics**

◎ Register Setup Procedure

SYSTEM SET TC/R calculation

C = 40H

P1 = 30H

P2 = 87H

P3 = 07H

P4 = 27H

P5 = 2FH

P6 = C7H

P7 = 28H

P8 = 00H

$f_{OSC} = 6 \text{ MHz}$

$f_{FR} = 70 \text{ Hz}$

$(1/6) \times 9 \times [TC/R] \times 200 = 1/70$

$[TC/R] = 48$ , so  $TC/R = 2FH$

SCROLL

C = 44H

P1 = 00H

P2 = 00H

P3 = C8H

P4 = 40H

P5 = 1FH

P6 = C8H

P7 = 80H

P8 = 3EH

P9 = XH

P10 = XH

CSR FORM

C = 5DH

P1 = 07H

P2 = 87H

HDOT SCR

C = 5AH

P1 = 00H

OVLAY

C = 5BH

P1 = 1CH

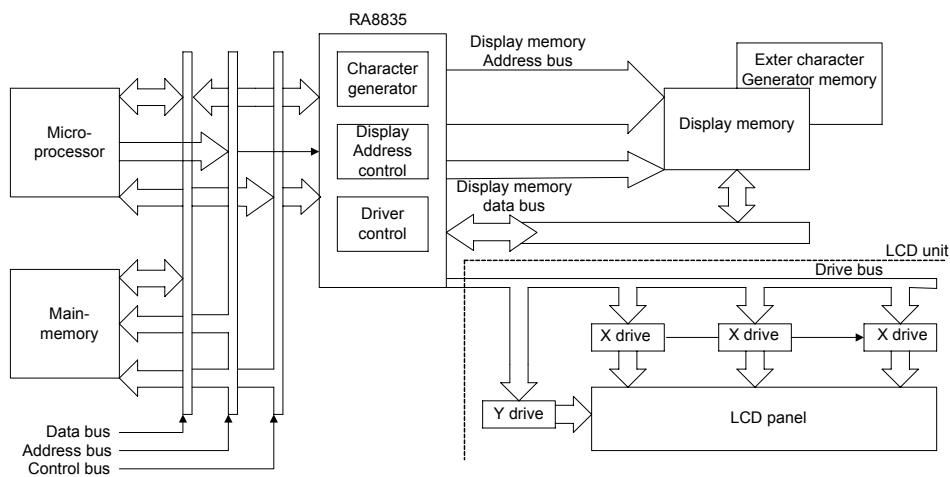
DISP ON/OFF

C = 59H  
P1 = 16H

X = Don't care

## 8-2 System Overview

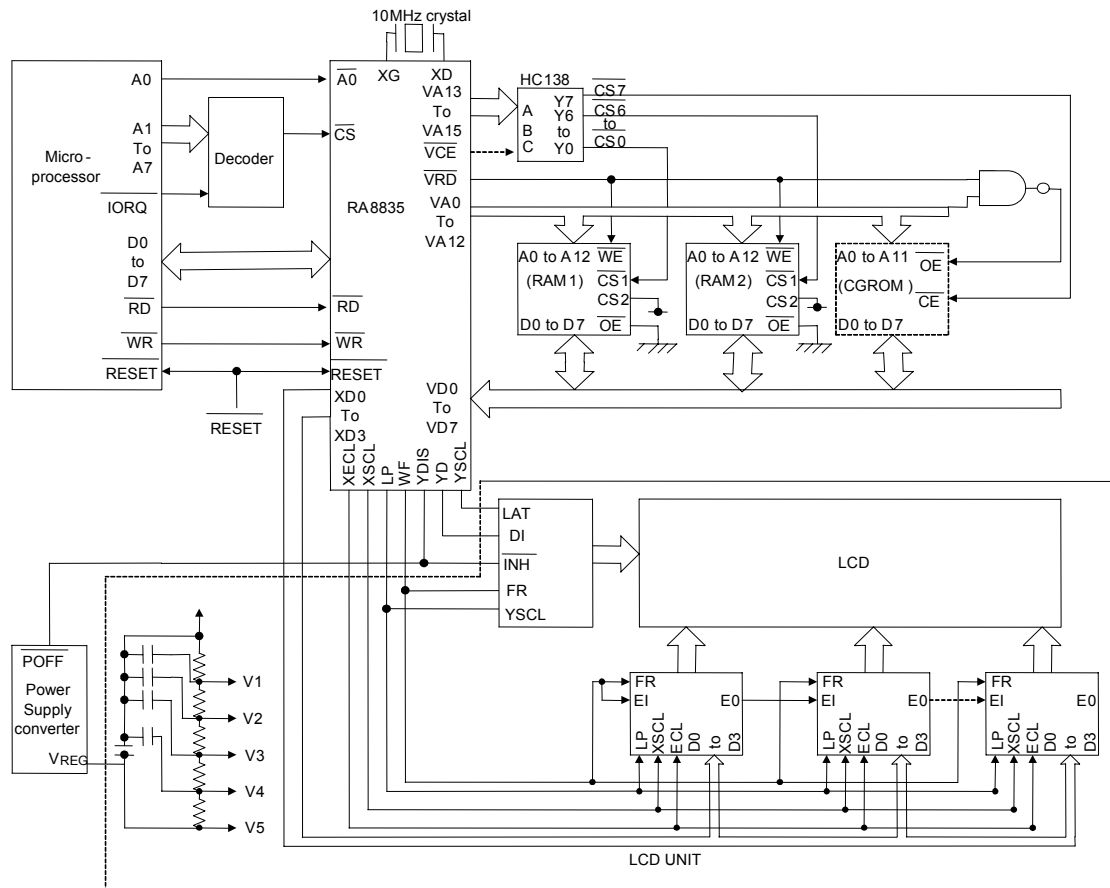
Figure 8-5 shows the RA8835 series in a typical system. The microprocessor issues instructions to the RA8835 series, and the RA8835 series drives the LCD panel and may have up to 64KB of display memory. Since all of the LCD control circuits are integrated onto the RA8835 series, few external components are required to construct a complete medium- resolution liquid crystal display.



**Figure 8-5: System Block Diagram**

### 8-3 System Interconnection

#### 8-3-1 System Diagram



**Figure 8-6: System Interconnection Diagram**

The RA8835 series layered screens and flexible scrolling facilities support a range of display functions and reduces the load on the controlling microprocessor when displaying underlining, inverse display, text overlaid on graphics or simple animation. These facilities are supported by the RA8835 series ability to divide display memory into up to four different areas.

- ⊙ Character code table
  - Contains character codes for text display
  - Each character requires 8 bits
  - Table mapping can be changed by using the scroll start function
- ⊙ Graphics data table
  - Contains graphics bitmaps
  - Word length is 8 bits
  - Table mapping can be changed

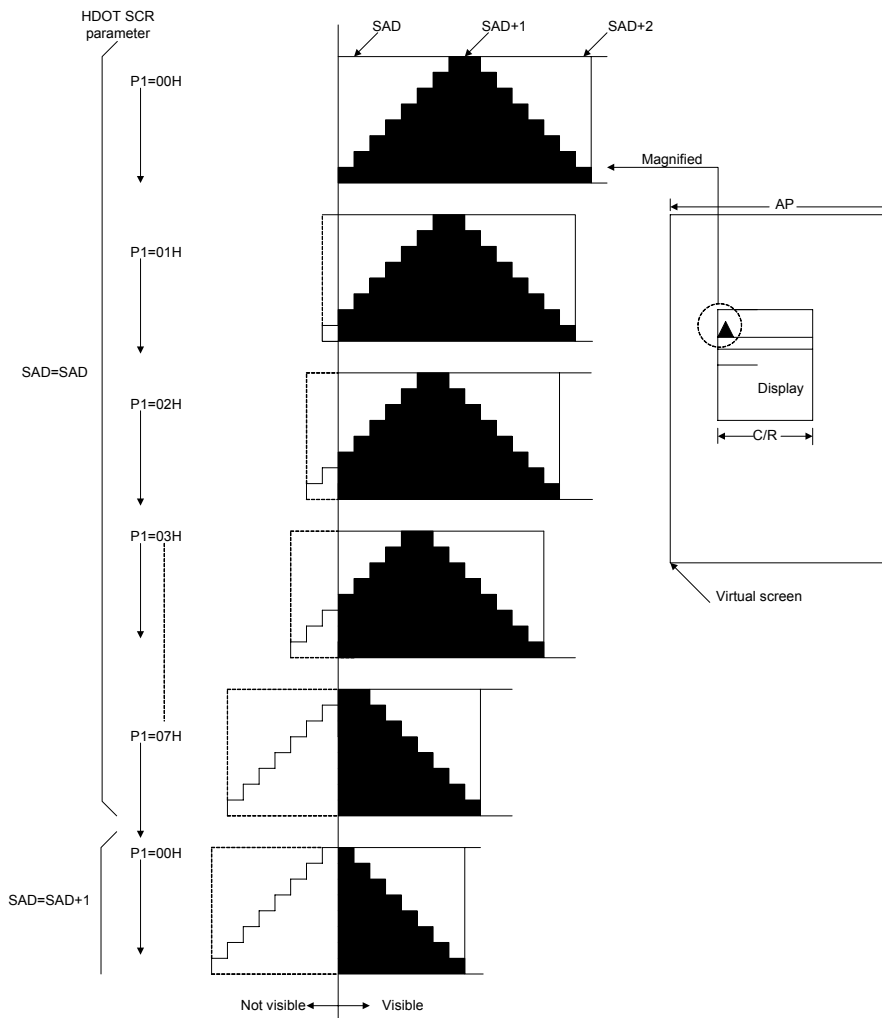
- ◎ CG RAM table
  - Character generator memory can be modified by the external microprocessor
  - Character sizes up to 8x16-pixels (16 bytes per character)
  - Maximum of 64 characters
  - Table mapping can be changed
- ◎ CG ROM table
  - Used when the internal character generator is not adequate
  - Can be used in conjunction with the internal character generator and external character generator RAM
  - Character sizes up to 8x16-pixels (16 bytes per character)
  - Maximum of 256 characters
  - Fixed mapping at F00H to FFFFH

### 8-4 Smooth Horizontal Scrolling

Figure 8-7 illustrates smooth display scrolling to the left. When scrolling left, the screen is effectively moving to the right, over the larger virtual screen. Instead of changing the display start address SAD and shifting the display by eight pixels, smooth scrolling is achieved by repeatedly changing the pixel-shift parameter of the HDOT SCR command. When the display has been scrolled seven pixels, the HDOT SCR pixel-shift parameter is reset to zero and SAD incremented by one. Repeating this operation at a suitable rate gives the appearance of smooth scrolling.

To scroll the display to the right, the reverse procedure is followed. When the edge of the virtual screen is reached, the microprocessor must take appropriate steps so that the display is not corrupted. The scroll must be stopped or the display modified.

Note that the HDOT SCR command cannot be used to scroll individual layers.



**Figure: 8-7 HDOT SCR Example**

**Note:** The response time of LCD panels changes considerably at low temperatures. Smooth scrolling under these conditions may make the display difficult to read.

### 8-5 Layered Display Attributes

RA8835 series incorporates a number of functions for enhanced displays using monochrome LCD panels. It allows the display of inverse characters, half-intensity menu pads and flashing of selected screen areas. These functions are controlled by the OVLAY and DISP ON/OFF commands.

A number of means can be used to achieve these effects, depending on the display configuration. These are listed below. Note, however, that not all of these can be used in the one layer at the same time.


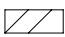
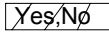
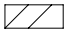


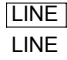
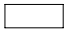
Attribute	MX1	MX0	Combined layer display	1st layer display	2ndt layer display
Reverse	0	1	IV 	IV RAIO	
	1	1			
Half-tone	0	0	ME 	ME Yes, No	
	1	1			
Local flashing	0	0	BL 	BL	
	0	1			
Ruled line	0	0	RL 	RL LINE LINE	
	0	1			
	1	1			

Figure 8-8: Layer Synthesis

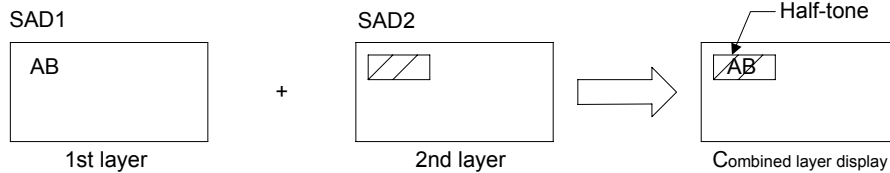
#### 8-5-1 Inverse Display

The first layer is text, the second layer is graphics.

1. CSRW, CSDIR, MWRITE  
Write is into the graphics screen at the area to be inverted.
2. OVLAY: MX0 = 1, MX1 = 0  
Set the combination of the two layers to Exclusive-OR.
3. DISP ON/OFF: FP0 = FP1 = 1, FP1 = FP3 = 0.  
Turn on layers 1 and 2.

**8-5-2 Half-tone Display**

The FP parameter can be used to generate half-intensity display by flashing the display at 17 Hz. Note that this mode of operation may cause flicker problems with certain LCD panels.



**Figure 8-9: Half-tone Character and Graphics**

**8-5-2-1 Menu pad display**

1. OVLAY: P1 = 00H
2. DISP ON/OFF: P1 = 34H

**8-5-2-2 Graph display**

To present two overlaid graphs on the screen, configure the display as for the menu bar display and put one graph on each screen layer. The difference in contrast between the half- and full-intensity displays will make it easy to distinguish between the two graphs and help create an attractive display.

1. OVLAY: P1 = 00H
2. DISP ON/OFF: P1 = 34H

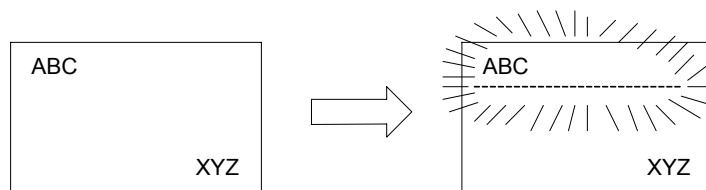
**8-5-3 Flashing Area**

**8-5-3-1 Small area**

To flash selected characters, the MPU can alternately write the characters as character codes and blank characters at intervals of 0.5 to 1.0 seconds.

**8-5-3-1 Large area**

Divide layer 1 and layer 2 into two screen blocks each, layer 2 being divided into the area to be flashed and the remainder of the screen. Flash the layer 2 screen block at 2 Hz for the area to be flashed and combine the layers using the OR function.



**Figure 8-10: Localized Flashing**



## 8-6 16 x 16-dot Graphic Display

### 8-6-1 Command Usage

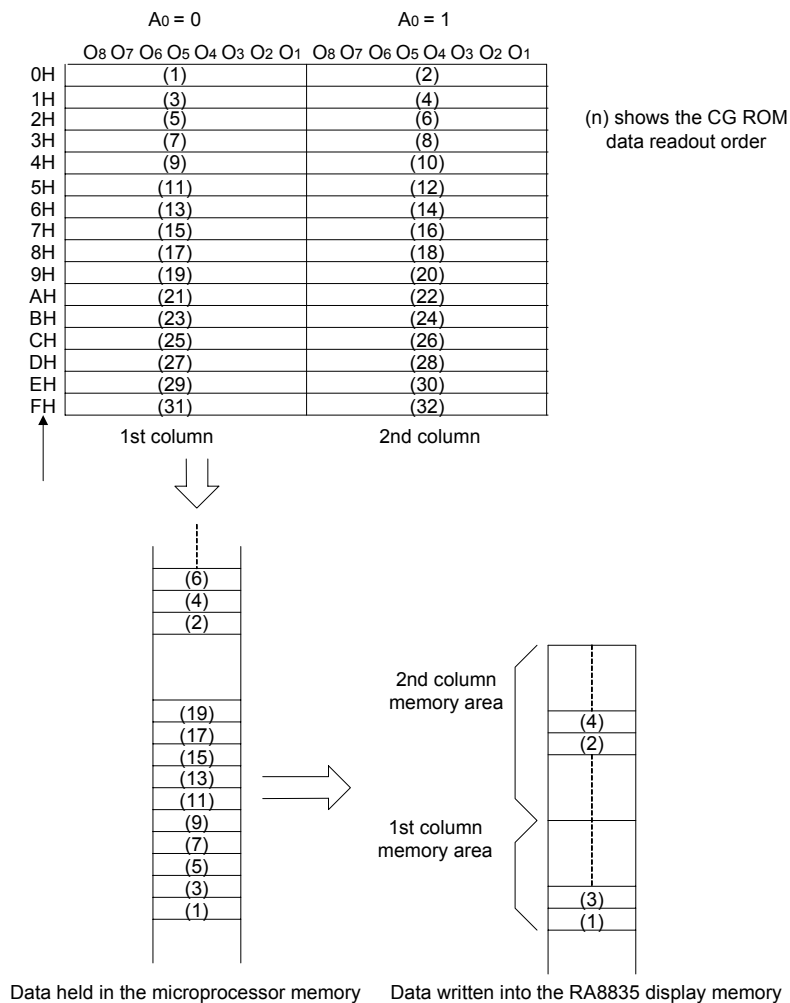
This example shows how to display 16 x 16-pixel characters. The command sequence is as follows:

CSRW     Set the cursor address.  
 CSRDIR   Set the cursor auto-increment direction.  
 MWRITE   Write to the display memory.

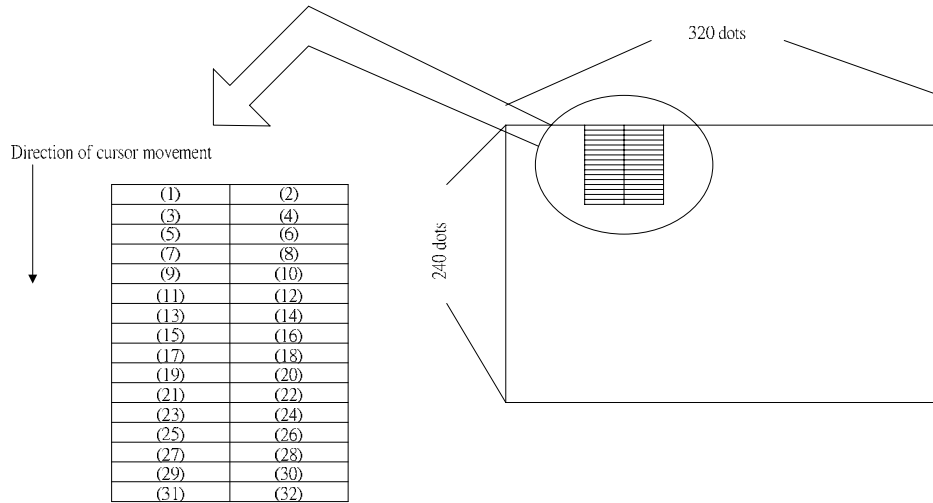
### 8-6-2 Kanji Character Display

The program for writing large characters operates as follows:

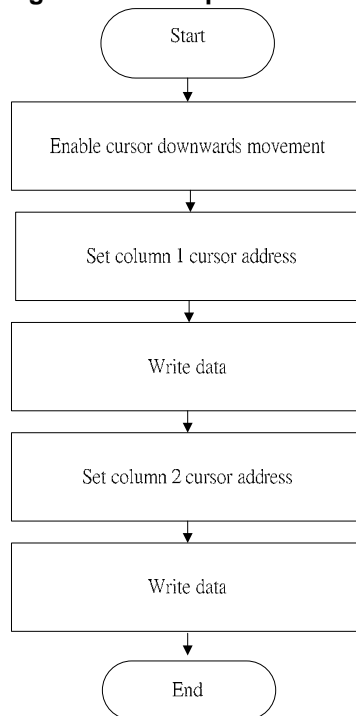
1. The microprocessor reads the character data from its ROM.
2. The microprocessor sets the display address and writes to the VRAM. The flowchart is shown in Figure 8-13.



**Figure 8-11: Graphics Address Indexing**



**Figure 8-12: Graphics Bit Map**



**Figure 8-13: 16 x16-dot Display Flowchart**

Using an external character generator ROM, and 8 x 16 pixel font can be used, allowing a 16 x 16-pixel character to be displayed in two segments. The external CG ROM EPROM data format is described in Section 10-1. This will allow the display of up to 128, 16 x 16-pixel characters. If CG RAM is also used, 96 fixed characters and 32 bank-switchable characters can also be supported.

8-7 Internal Character Generator Font

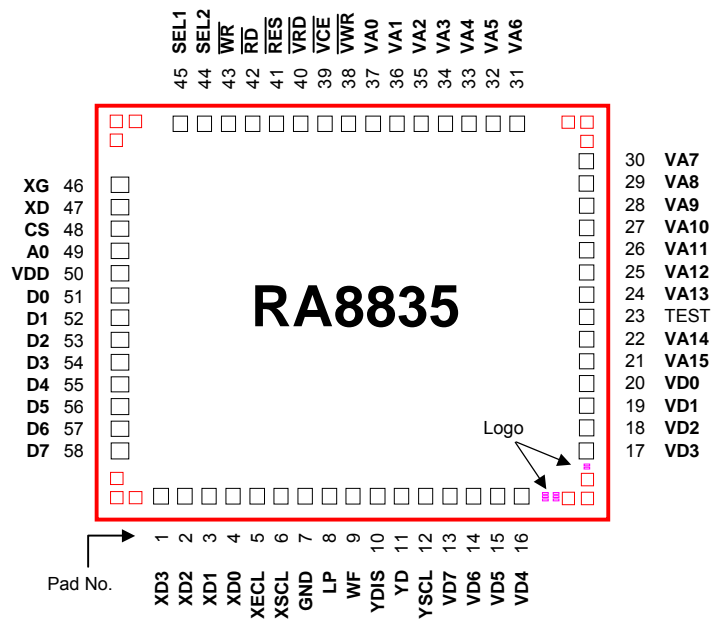
		Character code bits 0 to 3															
		0	1	2	3	4	5	6	7	8	9	A	B	C	D	E	F
Character code bit 4 to 7	2		!	"	#	\$	%	&	'	(	)	*	+	,	-	.	/
	3	0	1	2	3	4	5	6	7	8	9	A	B	C	D	E	F
	4	0	1	2	3	4	5	6	7	8	9	A	B	C	D	E	F
	5	0	1	2	3	4	5	6	7	8	9	A	B	C	D	E	F
	6	0	1	2	3	4	5	6	7	8	9	A	B	C	D	E	F
	7	0	1	2	3	4	5	6	7	8	9	A	B	C	D	E	F
	A	0	1	2	3	4	5	6	7	8	9	A	B	C	D	E	F
	B	0	1	2	3	4	5	6	7	8	9	A	B	C	D	E	F
	C	0	1	2	3	4	5	6	7	8	9	A	B	C	D	E	F
	D	0	1	2	3	4	5	6	7	8	9	A	B	C	D	E	F
1																	

Figure 8-14: On-chip Character Set

**Note:** The shaded positions indicate characters that have the whole 6 x 8 bitmap blackened.

## 9. Package Dimensions

### 9-1 Die Form

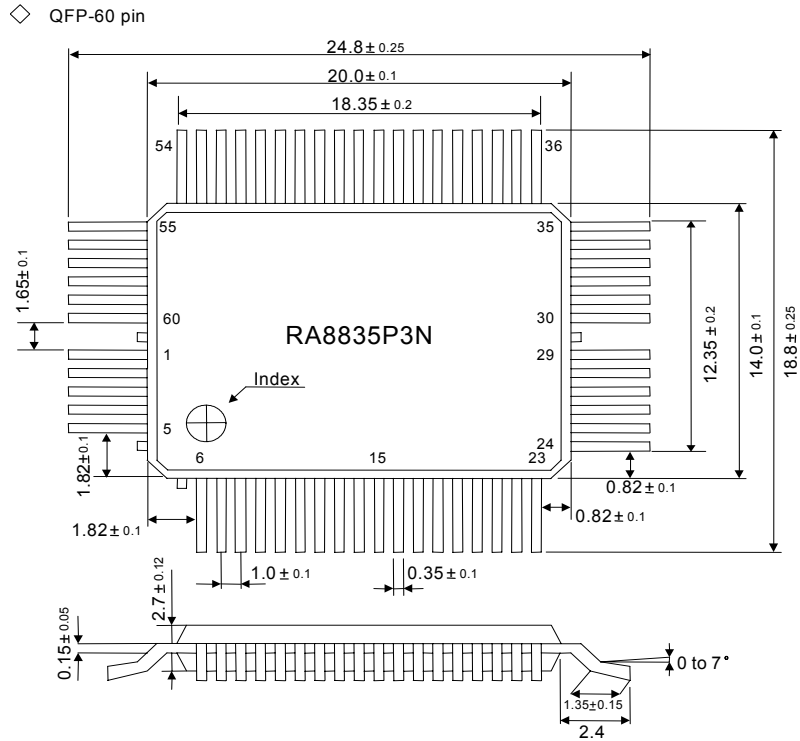


## 9-2 XY Coordinate

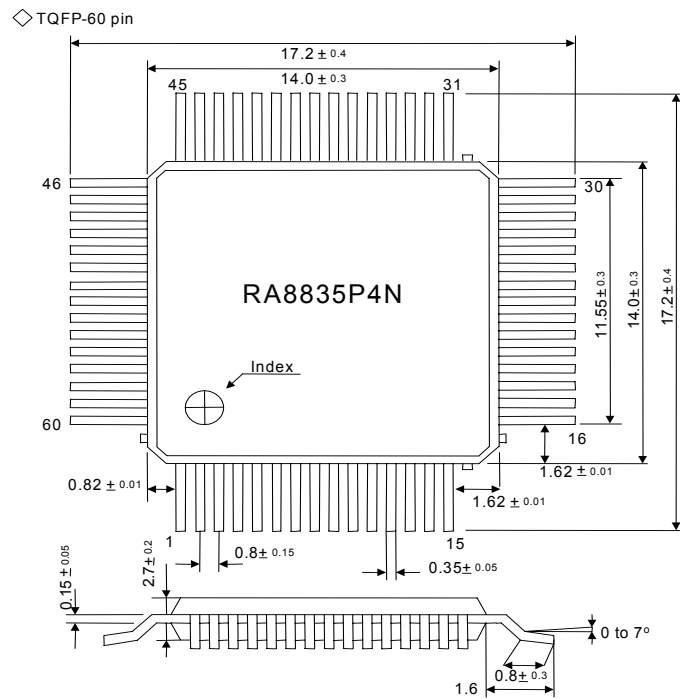
Pad No.	Pad 名稱	X 座標	Y 座標
1	XD3	-783.5	-921.4
2	XD2	-682.5	-921.4
3	XD1	-581.5	-921.4
4	XD0	-480.5	-921.4
5	XECL	-379.5	-921.4
6	XSCL	-278.5	-921.4
7	GND	-169.5	-921.4
8	LP	-64.5	-921.4
9	WF	36.5	-921.4
10	YDIS	137.5	-921.4
11	YD	238.5	-921.4
12	YSCL	339.5	-921.4
13	VD7	440.5	-921.4
14	VD6	541.5	-921.4
15	VD5	642.5	-921.4
16	VD4	743.5	-921.4
17	VD3	1043.4	-661.5
18	VD2	1043.4	-560.5
19	VD1	1043.4	-459.5
20	VD0	1043.4	-358.5
21	VA15	1043.4	-257.5
22	VA14	1043.4	-156.5
23	TEST	1043.4	-55.5
24	VA13	1043.4	45.5
25	VA12	1043.4	146.5
26	VA11	1043.4	247.5
27	VA10	1043.4	348.5
28	VA9	1043.4	449.5
29	VA8	1043.4	550.5
30	VA7	1043.4	651.5

Pad No.	Pad 名稱	X 座標	Y 座標
31	VA6	743.5	921.4
32	VA5	634.5	921.4
33	VA4	525.5	921.4
34	VA3	416.5	921.4
35	VA2	306.5	921.4
36	VA1	197.5	921.4
37	VA0	88.5	921.4
38	$\overline{\text{VWR}}$	-20.5	921.4
39	$\overline{\text{VCE}}$	-129.5	921.4
40	$\overline{\text{VRD}}$	-238.5	921.4
41	$\overline{\text{RES}}$	-347.5	921.4
42	$\overline{\text{RD}}$	-456.5	921.4
43	$\overline{\text{WR}}$	-565.5	921.4
44	SEL2	-674.5	921.4
45	SEL1	-783.5	921.4
46	XG	-1043.4	597.45
47	XD	-1043.4	461.45
48	$\overline{\text{CS}}$	-1043.4	348.5
49	A0	-1043.4	247.5
50	VDD	-1043.4	146.5
51	D0	-1043.4	45.5
52	D1	-1043.4	-55.5
53	D2	-1043.4	-156.5
54	D3	-1043.4	-257.5
55	D4	-1043.4	-358.5
56	D5	-1043.4	-459.5
57	D6	-1043.4	-560.5
58	D7	-1043.4	-661.5

**9-3 RA8835P3N (Unit: mm)**



**9-4 RA8835P4N (Unit: mm)**



Note: Both of the RA8835P3N and RA8835P4N are use “lead-free” package for ROHS compliance.

## 10. Specifications

### 10-1 Absolute Maximum Ratings

Parameter	Symbol	Rating	Unit
Supply voltage range	$V_{DD}$	-0.3 to 7.0	V
Input voltage range	$V_{IN}$	-0.3 to $V_{DD} + 0.3$	V
Power dissipation	$P_D$	300	mW
Operating temperature range	$T_{opg}$	-20 to 75	°C
Storage temperature range	$T_{stg}$	-65 to 150	°C
Soldering temperature (10 seconds). See note 1.	$T_{solder}$	260	°C

**Notes:**

1. The humidity resistance of the flat package may be reduced if the package is immersed in solder. Use a soldering technique that does not heatstress the package.
2. If the power supply has a high impedance, a large voltage differential can occur between the input and supply voltages. Take appropriate care with the power supply and the layout of the supply lines. (See section 7-2)
3. All supply voltages are referenced to  $V_{SS} = 0V$ .

**10-2 DC Characteristic**
 $V_{DD} = 4.5 \text{ to } 5.5\text{V}, V_{SS} = 0\text{V}, T_a = -20 \text{ to } 75^\circ\text{C}$ 

Parameter	Symbol	Condition	Rating			Unit
			Min.	Typ.	Max.	
Supply voltage	$V_{DD}$		4.5	5.0	5.5	V
Register data retention voltage	$V_{OH}$		2.0	—	6.0	V
Input leakage current	$I_{LI}$	$V_I = V_{DD}$ . See note 5.	—	0.05	2.0	$\mu\text{A}$
Output leakage current	$I_{LO}$	$V_I = V_{SS}$ . See note 5.	—	0.10	5.0	$\mu\text{A}$
Operating supply current	$I_{opr}$	See note 4.	—	3.5	8	mA
Quiescent supply current	$I_Q$	Sleep mode, $\overline{VOSC1} = V(\overline{CS}) = V(\overline{RD}) = V_{DD}$	—	0.05	20.0	$\mu\text{A}$
Oscillator frequency	$f_{OSC}$	Measured at crystal, 47.5% duty cycle. See note 6.	1.0	—	18.0	MHz
External clock frequency	$f_{CL}$		1.0	—	18.0	MHz
Oscillator feedback resistance	$R_f$		0.5	1.0	3.0	$\text{M}\Omega$
<b>Input</b>						
HIGH-level input voltage	$V_{IHC}$	See note 1, 2	$0.5 V_{DD}$	—	$V_{DD}$	V
LOW-level input voltage	$V_{ILC}$	See note 1, 2	$V_{SS}$	—	$0.2 V_{DD}$	V
<b>Output</b>						
HIGH-level output voltage	$V_{OHC}$	$I_{OH} = 4.0 \text{ mA}$ . See note 1, 2	$V_{DD} - 0.4$	—	—	V
LOW-level output voltage	$V_{OLC}$	$I_{OL} = -2 \text{ mA}$ . See note 1, 2	—	—	$V_{SS} + 0.4$	V
<b>Schmitt-trigger</b>						
Rising-edge threshold voltage	$V_{T+}$	See note 3.	—	$0.75 V_{DD}$	—	V
Falling-edge threshold voltage	$V_{T-}$	See note 3.	—	$0.25 V_{DD}$	—	V

**Notes:**

- SEL1, SEL2 and TEST are inputs. VA0 to VA15, ( $\overline{VRD}$ ), ( $\overline{VWR}$ ), ( $\overline{VCE}$ ), YD, XD0 to XD3, XSCL, LP, WF, YDIS are outputs.
- D0 to D7, VD0 to VD7 are Bi-direction.
- $\overline{CS}$ ,  $\overline{RD}$ ,  $\overline{WR}$ , A0 and  $\overline{RES}$  are Schmitt-trigger inputs. The pulse width on  $\overline{RES}$  must be at least  $10 \cdot t_c$ . Note that pulses of more than a few seconds will cause DC voltages to be applied to the LCD panel.
- $f_{OSC} = 10 \text{ MHz}$ , no load (no display memory), internal character generator, 256x200 pixel display. The operating supply current can be reduced by approximately 1mA by setting both CLO and the display OFF.
- VD0 to VD7 and D0 to D7 have internal feedback circuits so that if the inputs become high-impedance, the input state immediately prior to that is held. Because of the feedback circuit, input current flow occurs when the inputs are in an intermediate state.
- Because the oscillator circuit input bias current is in the order of  $\mu\text{A}$ , design the printed circuit board so as to reduce leakage currents.



$V_{DD} = 2.7$  to  $4.5V$ ,  $V_{SS} = 0V$ ,  $T_a = -20$  to  $75^{\circ}C$

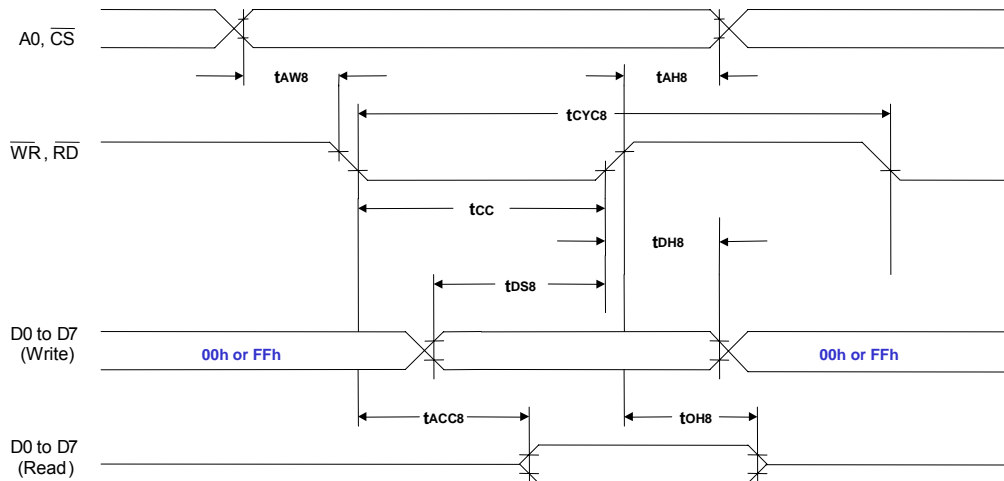
Parameter	Symbol	Condition	Rating			Unit
			Min.	Typ.	Max.	
Supply voltage	$V_{DD}$		2.7	3.3	4.5	V
Register data retention voltage	$V_{OH}$		2.0	—	6.0	V
Input leakage current	$I_{LI}$	$V_I = V_{DD}$ . See note 5.	—	0.05	2.0	$\mu A$
Output leakage current	$I_{LO}$	$V_I = V_{SS}$ . See note 5.	—	0.10	5.0	$\mu A$
Operating supply current	$I_{opr}$	$V_{DD} = 3.5V$ . See note 4.	—	3.5	—	mA
		See note 4.	—	—	7.0	
Quiescent supply current	$I_Q$	Sleep mode, $V_{OSC1} = V_{CS} = V_{RD} = V_{DD}$	—	0.05	20.0	$\mu A$
Oscillator frequency	$f_{OSC}$	Measured at crystal, 47.5% duty cycle. See note 6.	1.0	—	16.0	MHz
External clock frequency	$f_{CL}$		1.0	—	16.0	MHz
Oscillator feedback resistance	Rf		0.7	—	3.0	M $\Omega$
<b>Input</b>						
HIGH-level input voltage	$V_{IHC}$	See note 1, 2	$0.5 V_{DD}$	—	$V_{DD}$	V
LOW-level input voltage	$V_{ILC}$	See note 1, 2	$V_{SS}$	—	$0.2 V_{DD}$	V
<b>Output</b>						
HIGH-level output voltage	$V_{OHC}$	$I_{OH} = 4.0$ mA. See note 1, 2	$V_{DD} - 0.4$	—	—	V
LOW-level output voltage	$V_{OLC}$	$I_{OL} = -2$ mA. See note 1, 2	—	—	$V_{SS} + 0.4$	V
<b>Schmitt-trigger</b>						
Rising-edge threshold voltage	$V_{T+}$	See note 3.	—	$0.75 V_{DD}$	—	V
Falling-edge threshold voltage	$V_{T-}$	See note 3.	—	$0.25 V_{DD}$	—	V

### Notes

- SEL1, SEL2 and TEST are inputs. VA0 to VA15, ( $\overline{VRD}$ ), ( $\overline{VWR}$ ), ( $\overline{VCE}$ ), YD, XD0 to XD3, XSCL, LP, WF, YDIS are outputs.
- D0 to D7, VD0 to VD7 are Bi-direction pins.
- CS, RD, WR, A0 and RES are Schmitt-trigger inputs. The pulse width on ( $\overline{RES}$ ) must be at least  $10 \cdot t_c$ . Note that pulses of more than a few seconds will cause DC voltages to be applied to the LCD panel.
- $f_{OSC} = 10$  MHz, no load (no display memory), internal character generator, 256x200 pixel display. The operating supply current can be reduced by approximately 1mA by setting both CLO and the display OFF.
- VD0 to VD7 and D0 to D7 have internal feedback circuits so that if the inputs become high-impedance, the input state immediately prior to that is held. Because of the feedback circuit, input current flow occurs when the inputs are in an intermediate state.
- Because the oscillator circuit input bias current is in the order of  $\mu A$ , design the printed circuit board so as to reduce leakage currents.

## 10-3 Timing Diagrams

### 10-3-1a 8080 Family Interface Timing-1



Ta = -20 to 75°C

Signal	Symbol	Parameter	V <sub>DD</sub> = 4.5 to 5.5V		V <sub>DD</sub> = 2.7 to 4.5V		Unit	Condition
			Min.	Max.	Min.	Max.		
A0, $\overline{CS}$	$t_{AH8}$	Address hold time	10	—	10	—	ns	CL = 100pF
	$t_{AW8}$	Address setup time	0	—	0	—	ns	
$\overline{WR}$ , $\overline{RD}$	$t_{CYC8}$	System cycle time	note.	—	note.	—	ns	
	$t_{CC}$	Strobe pulse width	20+t <sub>c</sub>	—	50+t <sub>c</sub>	—	ns	
D0 to D7	$t_{DS8}$	Data setup time	120	—	120	—	ns	
	$t_{DH8}$	Data hold time	5	—	5	—	ns	
	$t_{ACC8}$	$\overline{RD}$ access time	—	50	—	80	ns	
	$t_{OH8}$	Output disable time	10	50	10	55	ns	

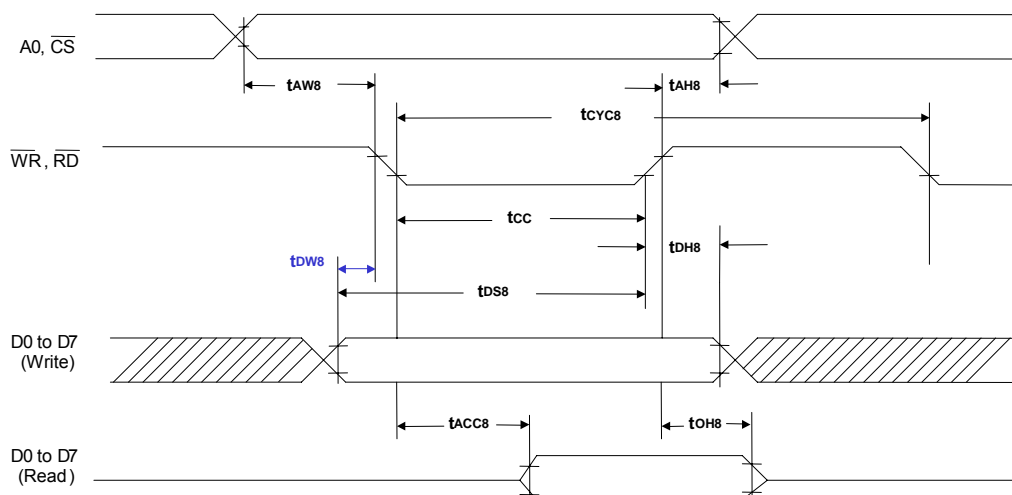
**Note:** For memory control and system control commands:

$$t_{CYC8} = 2t_c + t_{CC} + t_{CEA} + 75 > t_{ACV} + 245$$

For all other commands:

$$t_{CYC8} = 4t_c + t_{CC} + 30$$

## 10-3-1b 8080 Family Interface Timing-2



Ta = -20 to 75°C

Signal	Symbol	Parameter	V <sub>DD</sub> = 4.5 to 5.5V		V <sub>DD</sub> = 2.7 to 4.5V		Unit	Condition
			Min.	Max.	Min.	Max.		
A0, $\overline{CS}$	$t_{AH8}$	Address hold time	10	—	10	—	ns	CL = 100pF
	$t_{AW8}$	Address setup time	10	—	10	—	ns	
$\overline{WR}$ , $\overline{RD}$	$t_{CYC8}$	System cycle time	note.	—	note.	—	ns	
	$t_{CC}$	Strobe pulse width	20+t <sub>c</sub>	—	50+t <sub>c</sub>	—	ns	
D0 to D7	$t_{DS8}$	Data setup time 1	120	—	120	—	ns	
	$t_{DH8}$	Data hold time	5	—	5	—	ns	
	$t_{ACC8}$	$\overline{RD}$ access time	—	50	—	80	ns	
	$t_{OH8}$	Output disable time	10	50	10	55	ns	
	$t_{DW8}$	Data setup time 2	5	—	10	—	ns	

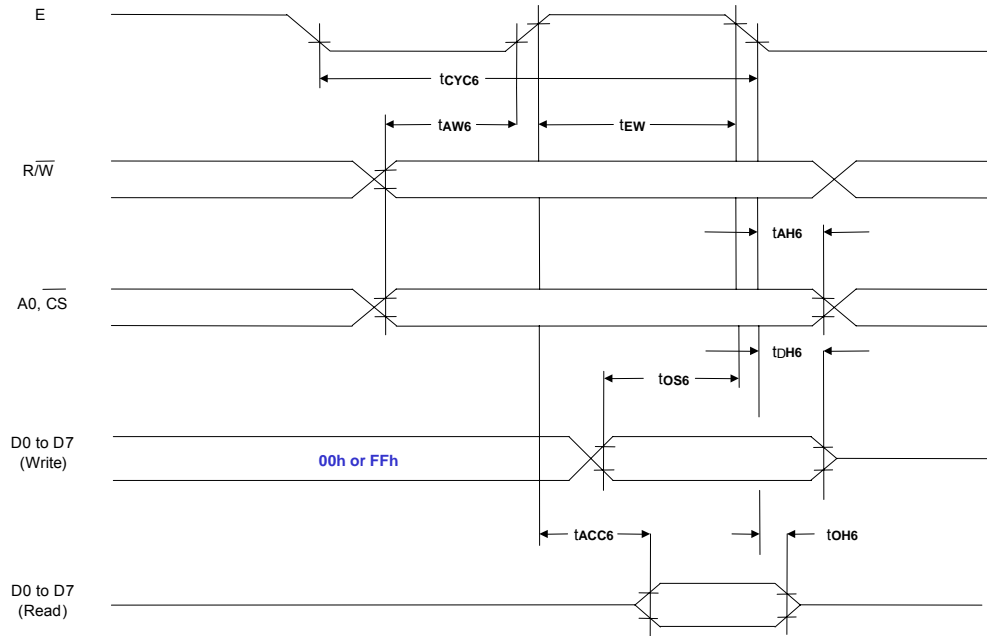
**Note:** For memory control and system control commands:

$$t_{CYC8} = 2t_c + t_{CC} + t_{CEA} + 75 > t_{ACV} + 245$$

For all other commands:

$$t_{CYC8} = 4t_c + t_{CC} + 30$$

10-3-2a 6800 Family Interface Timing-1



Ta = -20 to 75°C

Signal	Symbol	Parameter	V <sub>DD</sub> = 4.5 to 5.5V		V <sub>DD</sub> = 2.7 to 4.5V		Unit	Condition
			Min.	Max.	Min.	Max.		
A0, $\overline{CS}$ , R/(W)	t <sub>CYC6</sub>	System cycle time	note.	—	note.	—	ns	CL = 100 pF
	t <sub>AW6</sub>	Address setup time	0	—	10	—	ns	
	t <sub>AH6</sub>	Address hold time	0	—	0	—	ns	
D0 to D7	t <sub>DS6</sub>	Data setup time	100	—	120	—	ns	
	t <sub>DH6</sub>	Data hold time	0	—	0	—	ns	
	t <sub>OH6</sub>	Output disable time	10	50	10	75	ns	
	t <sub>ACC6</sub>	Access time	—	85	—	130	ns	
E	t <sub>EW</sub>	Enable pulse width	20+t <sub>c</sub>	—	50+t <sub>c</sub>	—	ns	

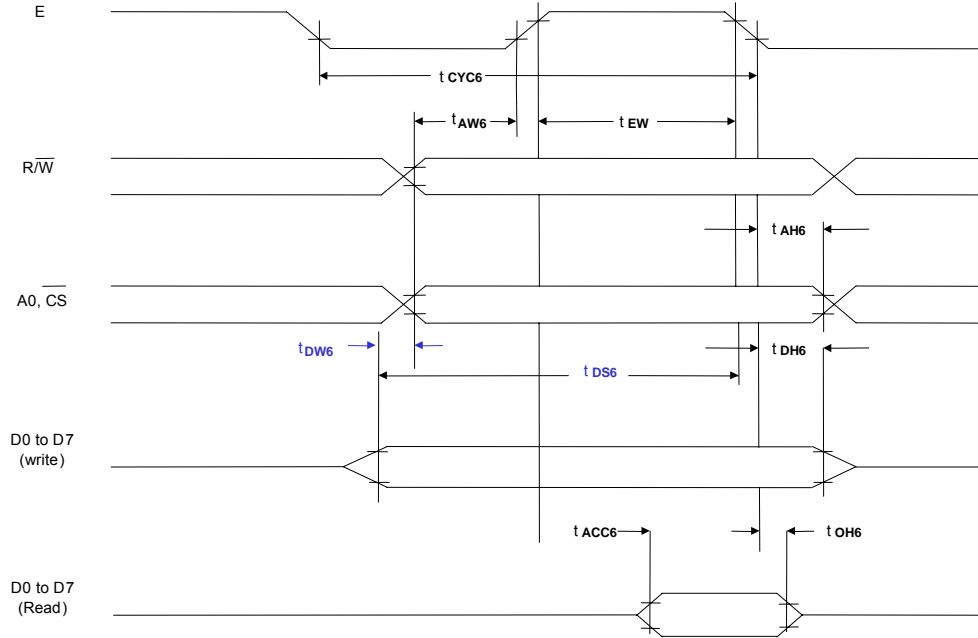
**Note:** For memory control and system control commands:

$$t_{CYC6} = 2t_c + t_{EW} + t_{CEA} + 75 > t_{ACV} + 245$$

For all other commands:

$$t_{CYC6} = 4t_c + t_{EW} + 30$$

10-3-2b 6800 Family Interface Timing-2



Ta = -20 to 75°C

Signal	Symbol	Parameter	V <sub>DD</sub> = 4.5 to 5.5V		V <sub>DD</sub> = 2.7 to 4.5V		Unit	Condition
			Min.	Max.	Min.	Max.		
A0, $\overline{CS}$ , R/(W)	$t_{CYC6}$	System cycle time	note.	—	note.	—	ns	CL = 100 pF
	$t_{AW6}$	Address setup time	0	—	10	—	ns	
	$t_{AH6}$	Address hold time	0	—	0	—	ns	
D0 to D7	$t_{DS6}$	Data setup time	25+t <sub>C</sub>	—	60+t <sub>C</sub>	—	ns	
	$t_{DH6}$	Data hold time	0	—	0	—	ns	
	$t_{OH6}$	Output disable time	10	50	10	75	ns	
	$t_{ACC6}$	Access time	—	85	—	130	ns	
E	$t_{EW}$	Enable pulse width	20+t <sub>C</sub>	—	50+t <sub>C</sub>	—	ns	

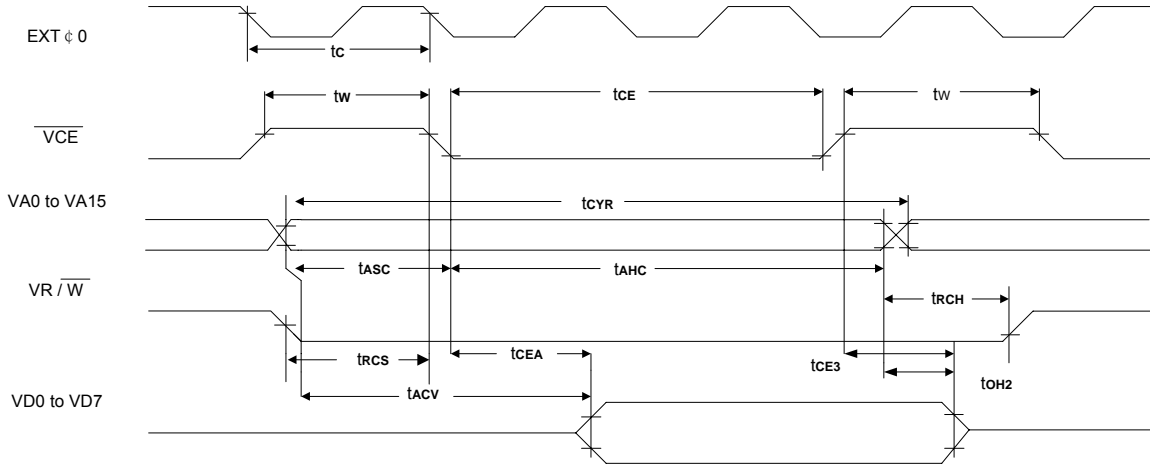
**Note:** For memory control and system control commands:

$$t_{CYC6} = 2t_C + t_{EW} + t_{CEA} + 75 > t_{ACV} + 245$$

For all other commands:

$$t_{CYC6} = 4t_C + t_{EW} + 30$$

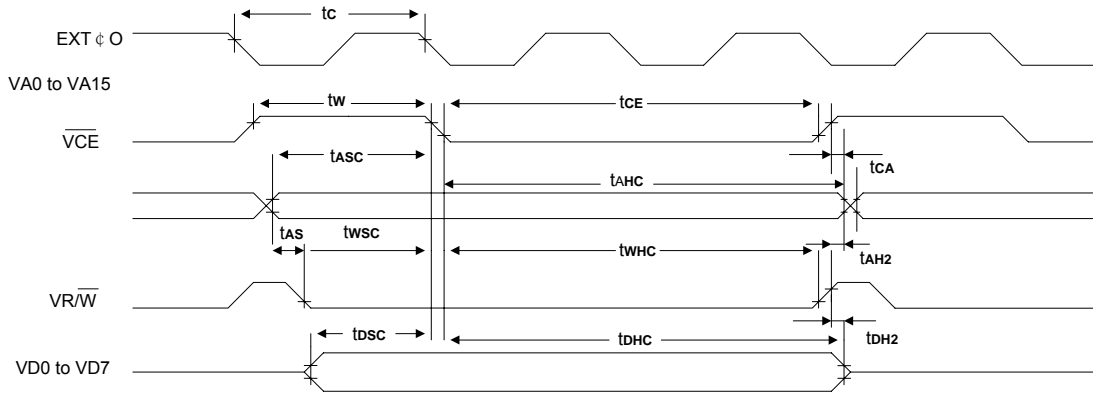
### 10-3-3 Display Memory Read Timing



Ta = -20 to 75°C

Signal	Symbol	Parameter	V <sub>DD</sub> = 4.5 to 5.5V		V <sub>DD</sub> = 2.7 to 4.5V		Unit	Condition
			Min.	Max.	Min.	Max.		
EXT Φ0	t <sub>c</sub>	Clock period	100	—	125	—	ns	CL = 100 pF
VCE	t <sub>w</sub>	VCE HIGH-level pulse width	t <sub>c</sub> - 50	—	t <sub>c</sub> - 50	—	ns	
	t <sub>CE</sub>	VCE LOW-level pulse width	2t <sub>c</sub> - 30	—	2t <sub>c</sub> - 30	—	ns	
VA0 to VA15	t <sub>CVR</sub>	Read cycle time	3t <sub>c</sub>	—	3t <sub>c</sub>	—	ns	
	t <sub>ASC</sub>	Address setup time to falling edge of VCE	t <sub>c</sub> - 70	—	t <sub>c</sub> - 100	—	ns	
	t <sub>AHC</sub>	Address hold time from falling edge of VCE	2t <sub>c</sub> - 30	—	2t <sub>c</sub> - 40	—	ns	
VRD	t <sub>RCS</sub>	Read cycle setup time to falling edge of VCE	t <sub>c</sub> - 45	—	t <sub>c</sub> - 60	—	ns	
	t <sub>RCH</sub>	Read cycle hold time from rising edge of VCE	0.5t <sub>c</sub>	—	0.5t <sub>c</sub>	—	ns	
VD0 to VD7	t <sub>ACV</sub>	Address access time	—	3t <sub>c</sub> - 100	—	3t <sub>c</sub> - 115	Ns	
	t <sub>CEA</sub>	VCE access time	—	2t <sub>c</sub> - 80	—	2t <sub>c</sub> - 90	Ns	
	t <sub>OH2</sub>	Output data hold time	0	—	0	—	ns	
	t <sub>CE3</sub>	VCE to data off time	0	—	0	—	ns	

**10.3-4 Display Memory Write Timing**

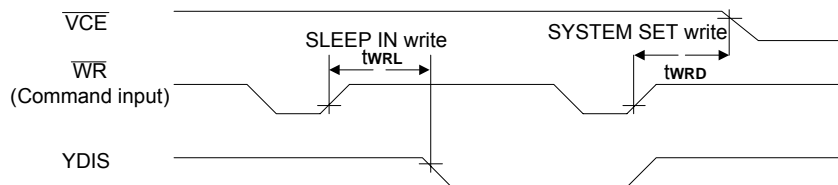


Ta = -20 to 75°C

Signal	Symbol	Parameter	V <sub>DD</sub> = 4.5 to 5.5V		V <sub>DD</sub> = 2.7 to 4.5V		Unit	Condition
			Min.	Max.	Min.	Max.		
EXT φ0	t <sub>c</sub>	Clock period	55.5	—	62.5	—	ns	CL = 100 pF
VCE	t <sub>w</sub>	VCE HIGH-level pulse width	t <sub>c</sub> - 50	—	t <sub>c</sub> - 50	—	ns	
	t <sub>ce</sub>	VCE LOW-level pulse width	2t <sub>c</sub> - 30	—	2t <sub>c</sub> - 30	—	ns	
VA0 to VA15	t <sub>cyw</sub>	Write cycle time	3t <sub>c</sub>	—	3t <sub>c</sub>	—	ns	
	t <sub>ahc</sub>	Address hold time from falling edge of VCE	2t <sub>c</sub> - 30	—	2t <sub>c</sub> - 40	—	ns	
	t <sub>asc</sub>	Address setup time to falling edge of VCE	t <sub>c</sub> - 70	—	t <sub>c</sub> - 110	—	ns	
	t <sub>ca</sub>	Address hold time from rising edge of VCE	0	—	0	—	ns	
	t <sub>as</sub>	Address setup time to falling edge of VWR	0	—	0	—	ns	
VWR	t <sub>ah2</sub>	Address hold time from rising edge of VWR	10	—	10	—	ns	
	t <sub>wsc</sub>	Write setup time to falling edge of VCE	t <sub>c</sub> - 80	—	t <sub>c</sub> - 115	—	ns	
VD0 to VD7	t <sub>whc</sub>	Write hold time from falling edge of VCE	2t <sub>c</sub> - 20	—	2t <sub>c</sub> - 20	—	ns	
	t <sub>dsc</sub>	Data input setup time to falling edge of VCE	t <sub>c</sub> - 85	—	t <sub>c</sub> - 125	—	ns	
	t <sub>dhc</sub>	Data input hold time from falling edge of VCE	2t <sub>c</sub> - 30	—	2t <sub>c</sub> - 30	—	ns	
	t <sub>dh2</sub>	Data hold time from rising edge of VWR	5	50	5	50	ns	

**Note:** VD0 to VD7 are latching input/outputs. While the bus is high impedance, VD0 to VD7 retain the write data until the data read from the memory is placed on the bus.

### 10-3-5 Sleep In Command Timing



Ta = -20 to 75°C

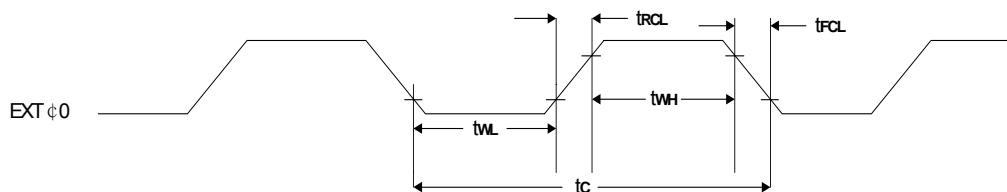
Signal	Symbol	Parameter	V <sub>DD</sub> = 4.5 to 5.5V		V <sub>DD</sub> = 2.7 to 4.5V		Unit	Condition
			Min.	Max.	Min.	Max.		
$\overline{WR}$	t <sub>WRD</sub>	VCE falling-edge delay time	note 1.	—	note 1.	—	ns	CL = 100 pF
	t <sub>WRL</sub>	YDIS falling-edge delay time	—	note 2.	—	note 2.	ns	

**Notes:**

1.  $t_{WRD} = 18t_C + t_{OSS} + 40$  ( $t_{OSS}$  is the time delay from the sleep state until stable operation)
2.  $t_{WRL} = 36t_C \times [TC/R] \times [L/F] + 70$



## 10-3-6 External Oscillator Signal Timing



Ta = -20 to 75°C

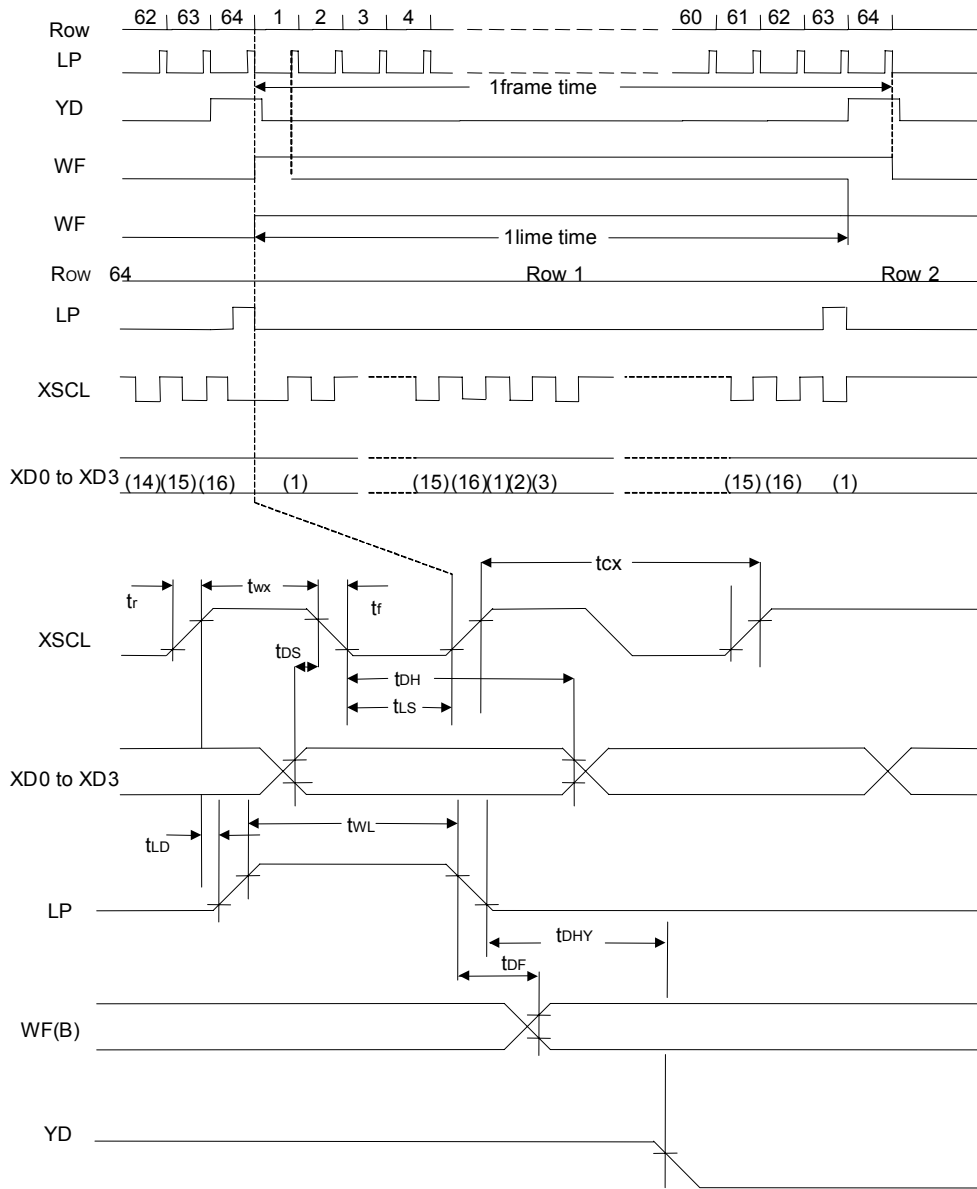
Signal	Symbol	Parameter	V <sub>DD</sub> = 4.5 to 5.5V		V <sub>DD</sub> = 2.7 to 4.5V		Unit	Condition
			Min.	Max.	Min.	Max.		
EXT φ0	t <sub>RCL</sub>	External clock rise time	—	10	—	10	ns	
	t <sub>FCL</sub>	External clock fall time	—	10	—	10	ns	
	t <sub>WH</sub>	External clock HIGH-level pulse width	note 1.	note 2.	note 1.	note 2.	ns	
	t <sub>WL</sub>	External clock LOW-level pulse width	note 1.	note 2.	note 1.	note 2.	ns	
	t <sub>C</sub>	External clock period	55.5	—	62.5	—	ns	

### Notes:

- $(t_C - t_{RCL} - t_{FCL}) \times \frac{475}{1000} < t_{WH}, t_{WL}$
- $(t_C - t_{RCL} - t_{FCL}) \times \frac{525}{1000} > t_{WH}, t_{WL}$

**10-3-7 LCD Output Timing**

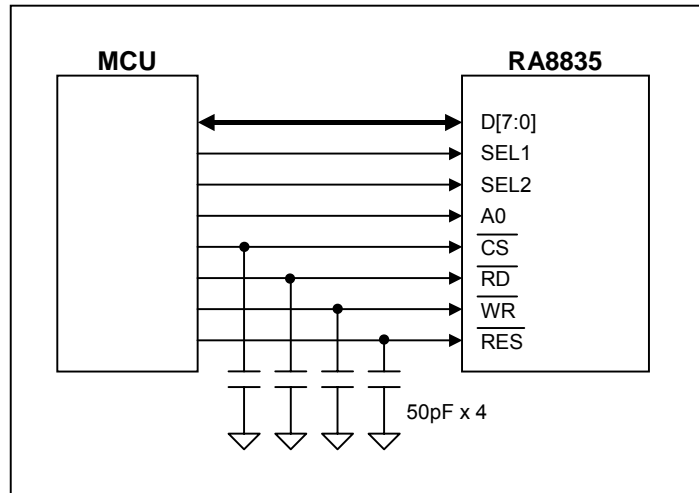
The following characteristics are for a 1/64 duty cycle.



Ta = -20 to 75°C

Signal	Symbol	Parameter	V <sub>DD</sub> = 4.5 to 5.5V		V <sub>DD</sub> = 2.7 to 4.5V		Unit	Condition
			Min.	Max.	Min.	Max.		
XSCL	t <sub>r</sub>	Rise time	—	30	—	40	ns	CL = 100 pF
	t <sub>f</sub>	Fall time	—	30	—	40	ns	
	t <sub>CX</sub>	Shift clock cycle time	4t <sub>C</sub>	—	4t <sub>C</sub>	—	ns	
	t <sub>WX</sub>	XSCL clock pulse width	2t <sub>C</sub> - 60	—	2t <sub>C</sub> - 60	—	ns	
XD0 to XD3	t <sub>DH</sub>	X data hold time	2t <sub>C</sub> - 50	—	2t <sub>C</sub> - 50	—	ns	
	t <sub>DS</sub>	X data setup time	2t <sub>C</sub> - 100	—	2t <sub>C</sub> - 105	—	ns	
LP	t <sub>LS</sub>	Latch data setup time	t <sub>C</sub> - 20	—	t <sub>C</sub> - 20	—	ns	
	t <sub>WL</sub>	LP pulse width	2t <sub>C</sub> - 10	—	2t <sub>C</sub> - 10	—	ns	
	t <sub>LD</sub>	LP delay time from XSCL	t <sub>C</sub> - 20	—	t <sub>C</sub> - 20	—	ns	
WF	t <sub>DF</sub>	Permitted WF delay	t <sub>C</sub> - 20	t <sub>C</sub> +30	t <sub>C</sub> - 20	t <sub>C</sub> +30	ns	
YD	t <sub>DHY</sub>	Y data hold time	2t <sub>C</sub> - 20	—	2t <sub>C</sub> - 20	—	ns	

## Appendix A. System Suggestion



**Figure A-1: Connection of MCU and RA8835**

The Figure A-1 is a suggestion for the connection of MCU and RA8835 that increase to reliability of system or LCD module.

**Appendix B. RA8835 vs. S1D13305**
**Table B-1: Difference of RA8835 and S1D13305**

No.	Items	RA8835	S1D13305
1	Part Number #1	RA8835P3N	S1D13305F00A
2	Part Number #2	RA8835P4N	S1D13305F00B
3	DC Characteristics	Ref Section 10-2 of RA8835 Specification V1.7.	Ref Section 6-2 of S1D13305 Technical Manual.
4	Strobe Pulse Width of 8080 Family Interface Timing	$t_{CC} = (20+t_c) \sim (50+t_c) \text{ ns}$	$t_{CC} = 120\sim 150\text{ns}$
5	Enable Pulse Width of 6800 Family Interface Timing	$t_{EW} = (20+t_c) \sim (50+t_c) \text{ ns}$	$t_{EW} = 120\sim 150\text{ns}$
6	External Clock Rise Time	$t_{RCL} = 10\text{ns}(\text{Max.})$	$t_{RCL} = 15\text{ns}(\text{Max.})$
7	External Clock Fall Time	$t_{RCL} = 10\text{ns}(\text{Max.})$	$t_{RCL} = 15\text{ns}(\text{Max.})$
8	External Clock Period	$t_c = 55.5 / 62.\text{ns}$	$t_c = 100 / 125\text{ns}$
9	Permitted WF Delay	$t_{DF} = t_c+10 (\text{Max.})$	$t_{DF} = 50\text{ns}(\text{Max.})$
10	Reset Timing	1. The Reset Pulse width is $10*t_c(\mu\text{s})$ . If the Oscillator frequency is 10Mhz, then the Reset pulse is at least $1\mu\text{s}$ . 2. Ref Section 7-8 and 10-2 of RA8835 Specification V1.7.	1. The Reset Pulse width is 1ms in the specification. But the real chip is about 100ns. 2. Ref Section 6-2 and Chapter 15 of S1D13305 Technical Manual.
11	Foot-print of Part Number #1	The foot-print of RA8835P3N is 4.8mm.	The foot-print of S1D13305F00A is 5.2mm.
12	Package Dimension of Part Number #2	Ref Section 9-4 of RA8835 Specification V1.7.	Ref Section 7-2 of S1D13305 Technical Manual.
13	FX(Horizontal Character Size)	FX is adjustable from 1~8.	FX is adjustable from 1~16.
14	Operation Voltage	2.7~3.6V / 4.5~5.5V	2.7~5.5V